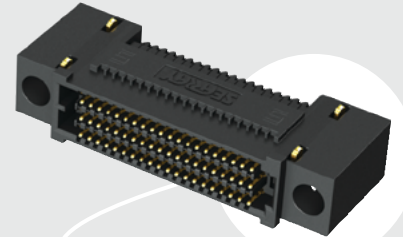


SEAF-20-01-L-04-2-RA-GP-TR



SEAF-20-01-L-06-2-RA-GP-TR

**SEAF-RA SERIES**

(1.27 mm) .050"

# HI-DENSITY RIGHT-ANGLE OPEN-PIN-FIELD

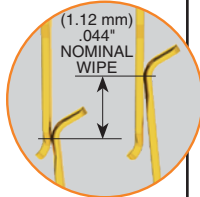
## SPECIFICATIONS

For complete specifications and recommended PCB layouts see [www.samtec.com?SEAF-RA](http://www.samtec.com?SEAF-RA)

- Insulator Material:** Black LCP
- Contact Material:** Copper Alloy
- Current Rating:** 1.9 A per pin (10 pins powered)
- Operating Temp Range:** -55 °C to +125 °C
- Plating:** Au or Sn over 50 μ" (1.27 μm) Ni
- Working Voltage:** 280 VAC
- Mated Cycles:** 100
- RoHS Compliant:** Yes
- Lead-Free Solderable:** Yes

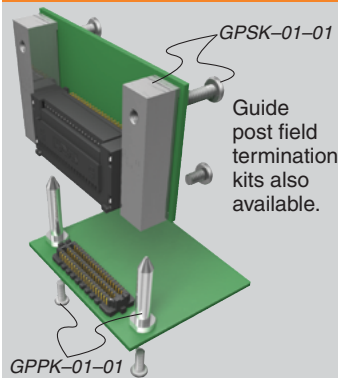
## RECOGNITIONS

For complete scope of recognitions see [www.samtec.com/quality](http://www.samtec.com/quality)



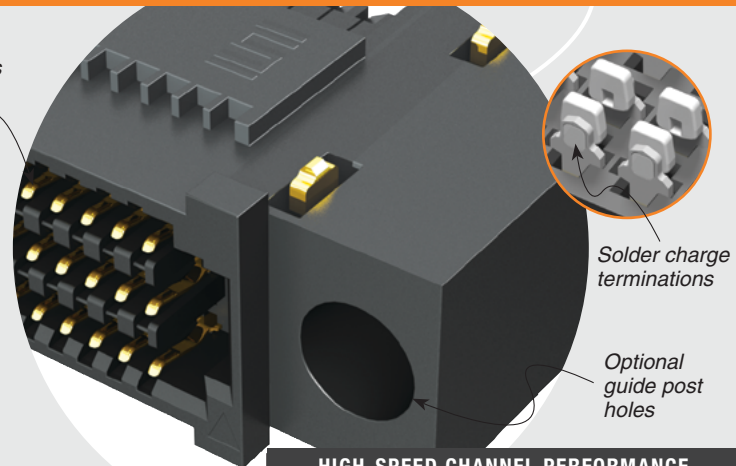
**Board Mates:** SEAM, SEAMP  
**Cable Mates:** SEAC

## OTHER SOLUTIONS



Up to 500 pins

Guide post field termination kits also available.



Low insertion/extraction forces

Solder charge terminations

Optional guide post holes

## HIGH-SPEED CHANNEL PERFORMANCE

**SEAF-RA/SEAM-RA**  
Rating based on Samtec reference channel. For full SI performance data visit [Samtec.com](http://Samtec.com) or contact [SIG@samtec.com](mailto:SIG@samtec.com)

**25**  
Gbps

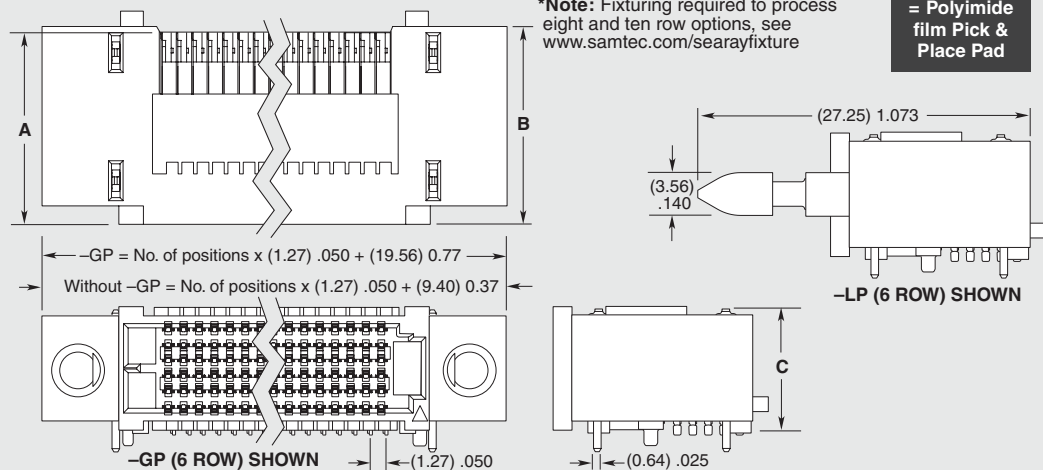
SEAF	NO. PINS PER ROW	01	PLATING OPTION	NO. OF ROWS	SOLDER TYPE	RA	OPTION	TR
	-20, -30, -40, -50		-L = 10 μ" (0.25 μm) Gold on contact area, Matte Tin on solder tail  -S = 30 μ" (0.76 μm) Gold on contact area, Matte Tin on solder tail	-04 = Four Rows -06 = Six Rows -08* = Eight Rows -10* = Ten Rows	-1 = Tin/Lead Alloy Solder Charge -2 = Lead-Free Solder Charge		-GP = Guide Post Hole -LP = Latch Post (06 row 30 positions only) (Mates to SEAC Series) -K = Polyimide film Pick & Place Pad	-TR = Tape & Reel

NO. OF ROWS	A	B	C
-04	(13.26) .522	(13.77) .542	(7.91) .311
-06	(15.80) .622	(16.31) .642	(10.45) .411
-08	(18.34) .722	(18.85) .742	(12.99) .511
-10	(20.88) .822	(21.39) .842	(15.53) .611

\*Note: Fixturing required to process eight and ten row options, see [www.samtec.com/searayfixture](http://www.samtec.com/searayfixture)

## ALSO AVAILABLE (MOQ Required)

- Other platings



**Note:** Some sizes, styles and options are non-standard, non-returnable.

Due to technical progress, all designs, specifications and components are subject to change without notice.

[WWW.SAMTEC.COM](http://WWW.SAMTEC.COM)

All parts within this catalog are built to Samtec's specifications. Customer specific requirements must be approved by Samtec and identified in a Samtec customer-specific drawing to apply.