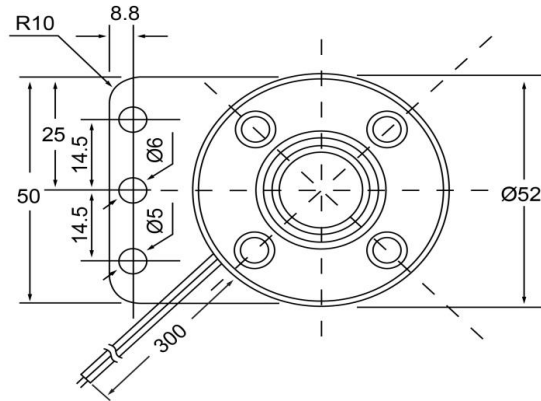
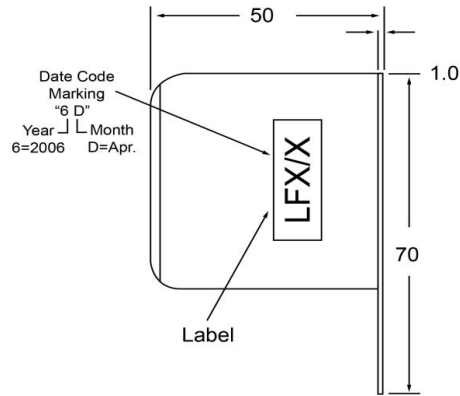


TOP VIEW



SIDE VIEW



Specifications			Notes	Revision History										
Description	Value	Unit		Version	Description	Date	Approved	Drawn by	Date	Checked by	Date	Approved by	Date	
Technology	Piezo		1) All dimensions are in mm unless otherwise noted 2) All parts meet RoHS	1	Released from Engineering	10/21/2013	J.S	A.B.	10/21/2013	C.E.	10/21/2013	J.S	10/21/2013	
Resonant Frequency	4,000	(Hz)												
Rated Voltage	12	(V)												
SPL @ 10cm	125	(dBA)												
Tone	Siren													
Mount Type	Flange													
Voltage Range	6 ~ 15	(V)												
Max Rated Current	280	(mA)												
Housing Material	ABS													
Operating Temperature	-20 ~ +60	°C												
Storage Temperature	-20 ~ +60	°C												
Weight	80	(g)												



Piezo Indicator

IP521512-1

Additional considerations can be found at www.dbunlimitedco.com/technical-articles.