

REVISIONS				
P	LTR	DESCRIPTION	DATE	APVD
F1		REVISED PER ECN-22-150900	28APR2022	RK CSD

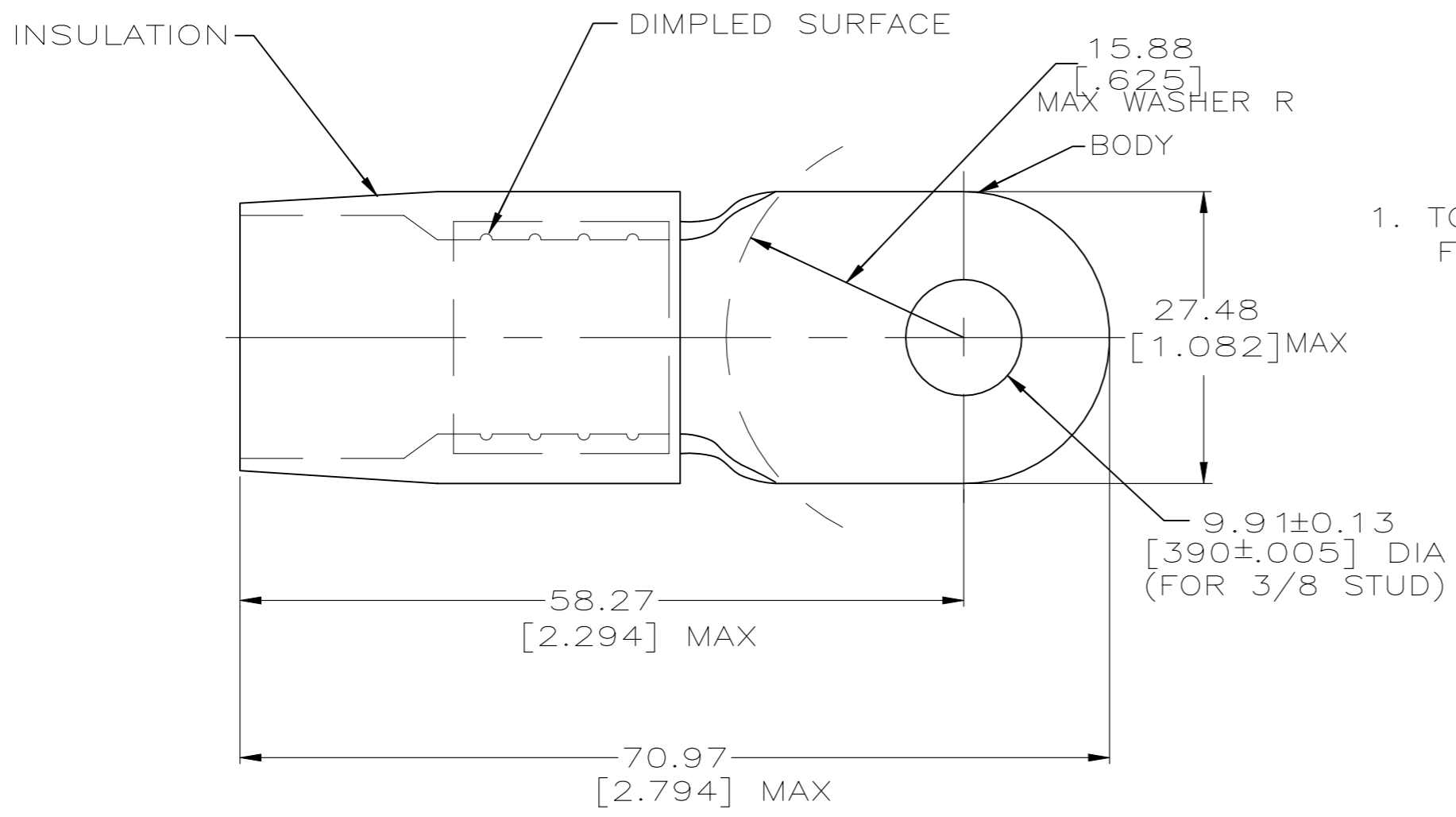
**AMP**  
WIRE RANGE

3/0 AWG  
STRANDED

**METRIC**

DIMENSIONS LISTED IN mm [ INCHES ]

1. TONGUE MATERIAL THK  $2.31 \pm 0.08$  [.091 ± .003]  
FOR 17.27 [.680] MAX WIRE INS DIA



-	LOOSE PC	324185
QTY	PACKAGE TYPE	PART NO
DRN TDA S.S. GOULDEN 6-21-93	TE Connectivity	
CHK R. HERSEY 6-21-93		
APVD B. BARE 6-21-93		
PRODUCT SPEC	NAME	
APPLICATION SPEC	TERMINAL, RING TONGUE, TERMINYL WIRE SIZE: 3/0 AWG	
WEIGHT -	SIZE A3	CAGE CODE 00779
	DRAWING NO C-324185	RESTRICTED TO -
CUSTOMER DRAWING		SCALE NTS
	SHEET 1 OF 1	REV F1

AMP INCORPORATED CUSTOMER SERVICE SYSTEMS		MAX RECOMMENDED OPERATING TEMPERATURE: 105° c	THIS DRAWING IS A CONTROLLED DOCUMENT.
FOR ADDITIONAL PRODUCT INFORMATION OR COPIES OF DRAWINGS AND TECHNICAL DOCUMENTS	PRODUCT INFORMATION CENTER 1-800-522-6752	VOLTAGE RATING: -	
FOR APPLICATION TOOLING INFORMATION	TOOLING ASSISTANCE CENTER 1-800-722-1111	CIRCULAR MIL AREA: 76.3-96.3mm <sup>2</sup> [150,500-190,000] STRANDED	
FOR ORDER ENTRY	1-800-526-5142	THIS DRAWING IS A CONTROLLED DOCUMENT FOR AMP INCORPORATED. IT IS SUBJECT TO CHANGE AND THE CONTROLLING ENGINEERING ORGANIZATION SHOULD BE CONTACTED FOR THE LATEST REVISION.	MATERIAL COPPER PER ASTM B-152 NYLON (MIL-M-20693) TYPE 1 COLOR: RED

DIMENSIONS: mm[INCHES]	TOLERANCES UNLESS OTHERWISE SPECIFIED:
	0 PLC ± -
	1 PLC ± -
	2 PLC ± 0.20[.008]
	3 PLC ± -
	4 PLC ± -
	ANGLES ± -
FINISH	TIN PLATE PER MIL-T-10727