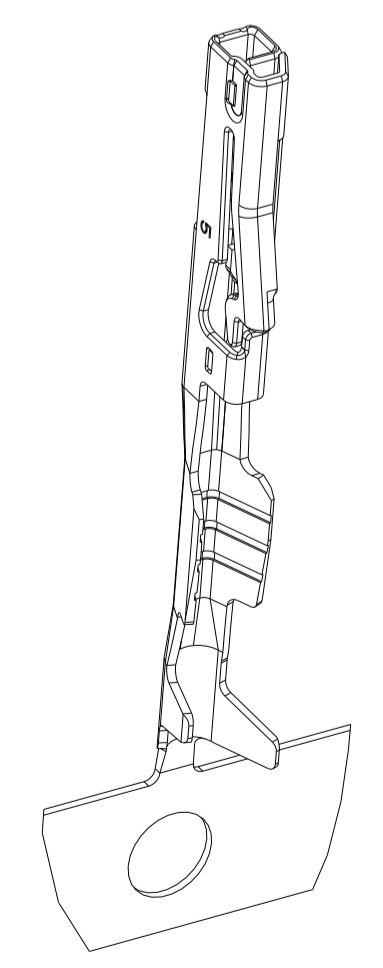
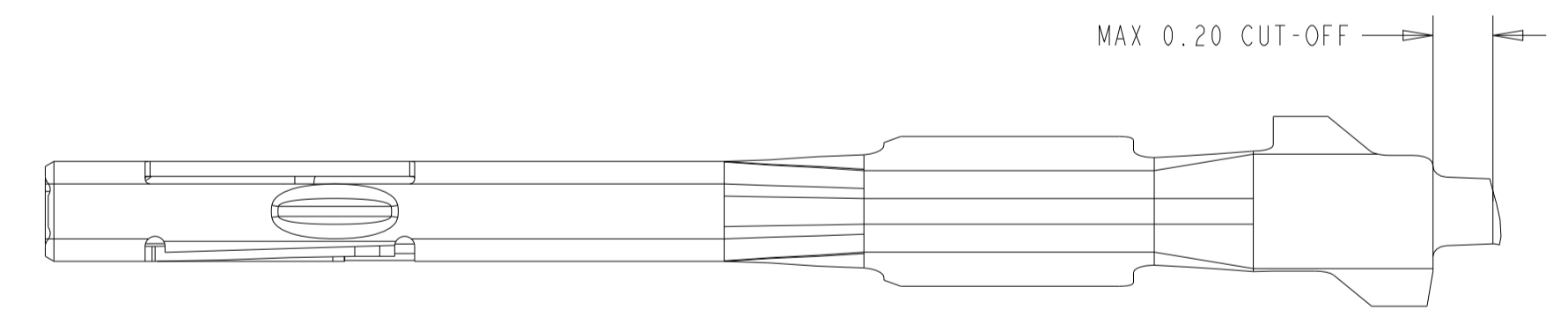
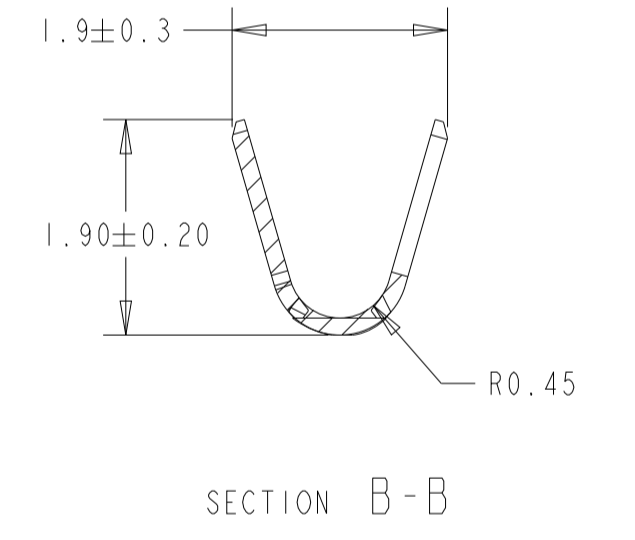
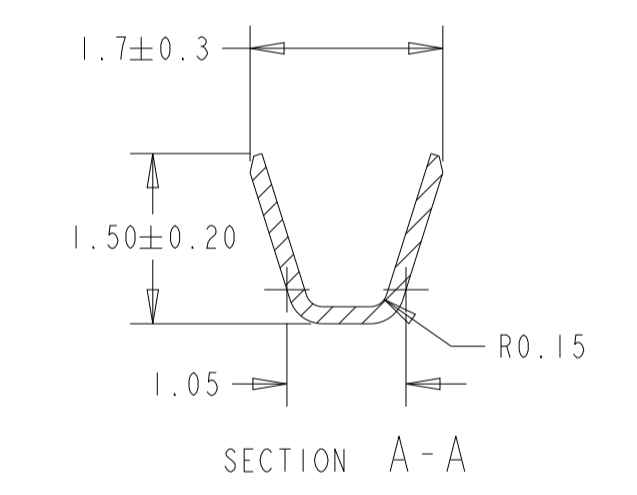
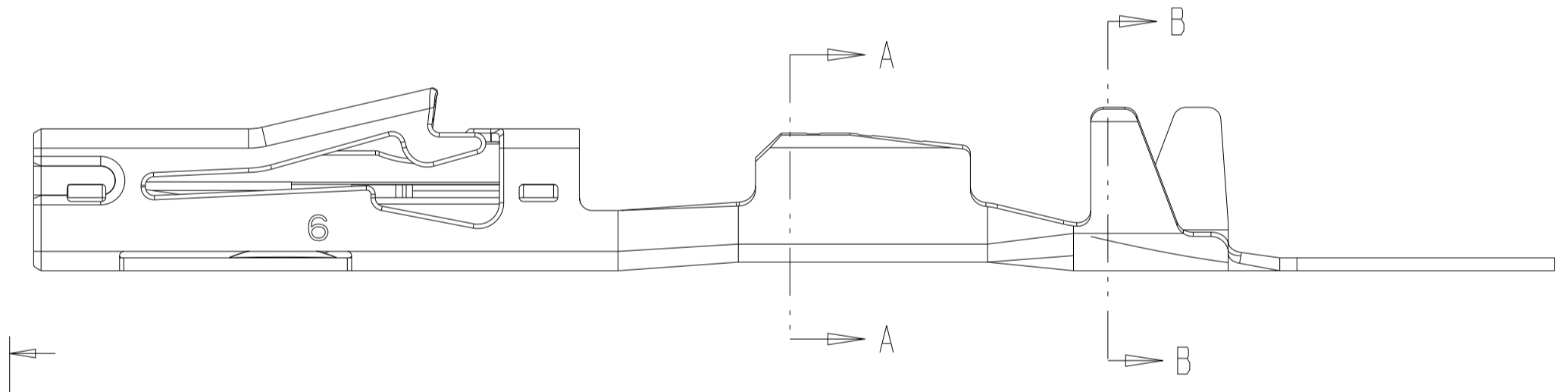
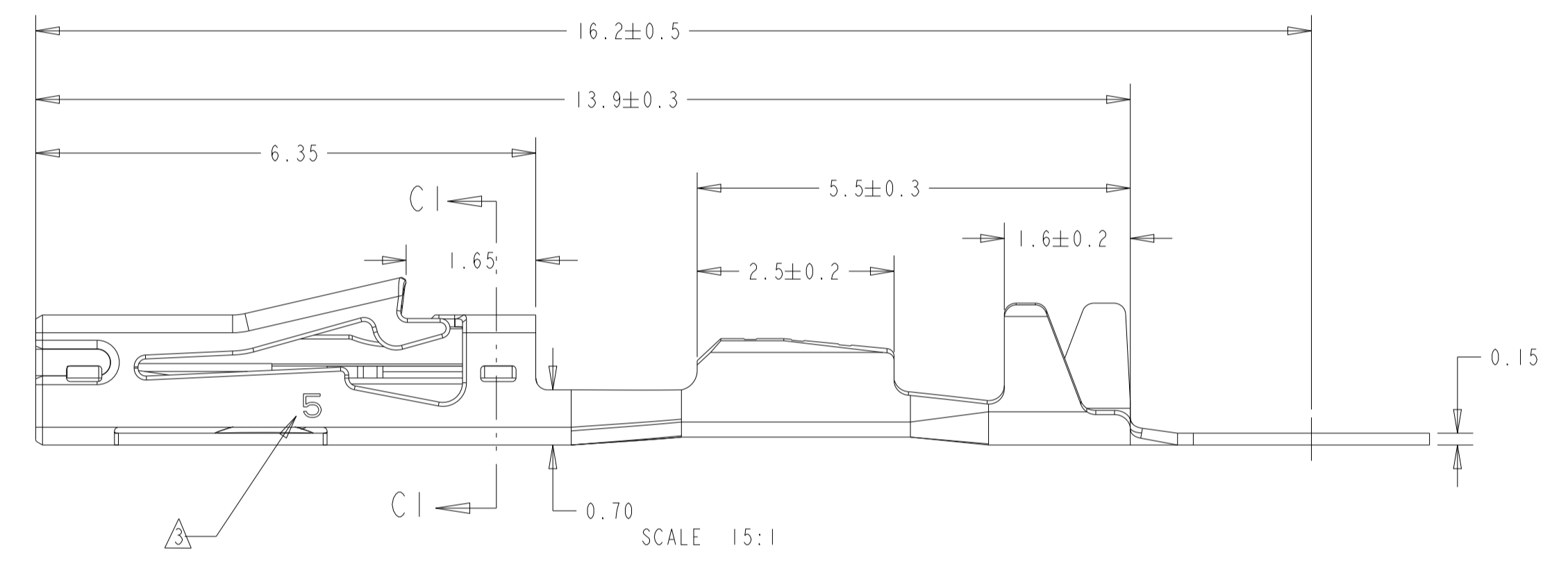
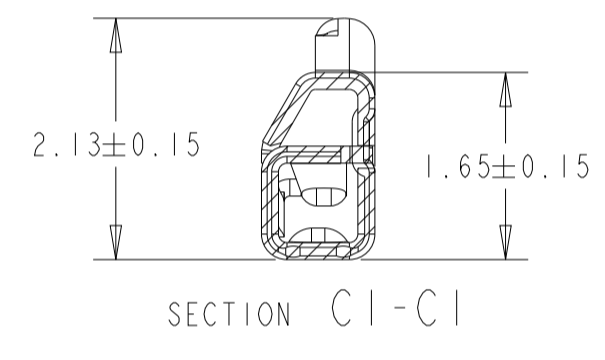
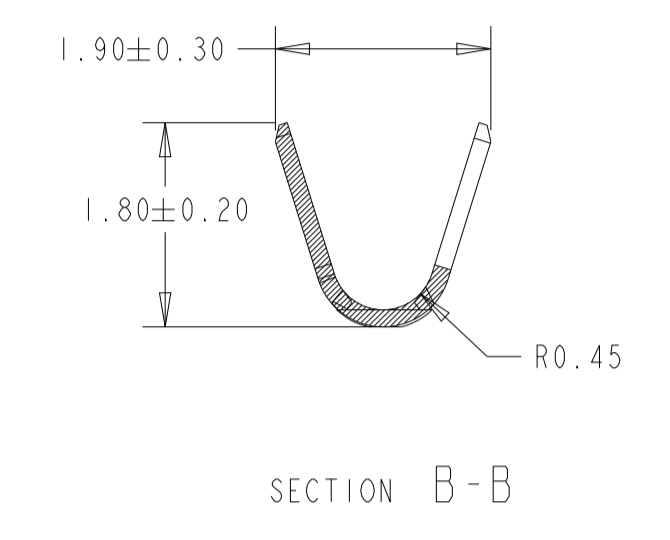
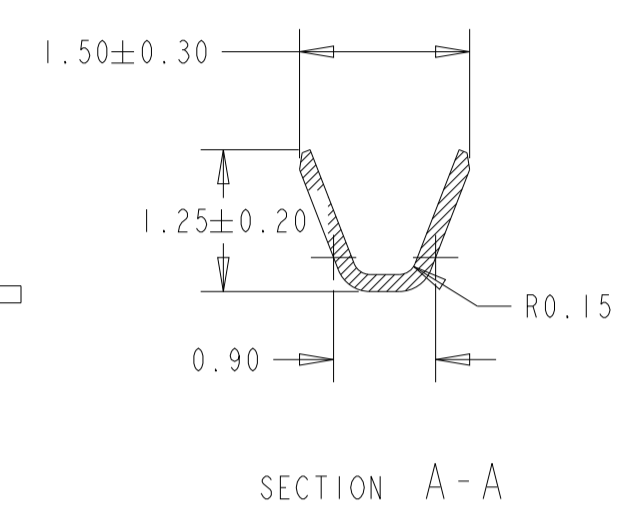
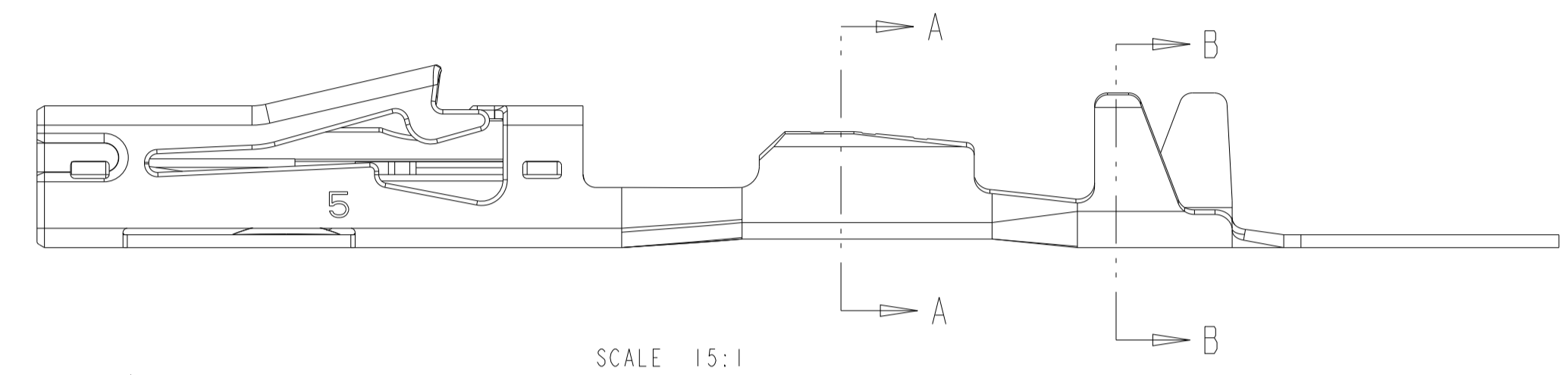
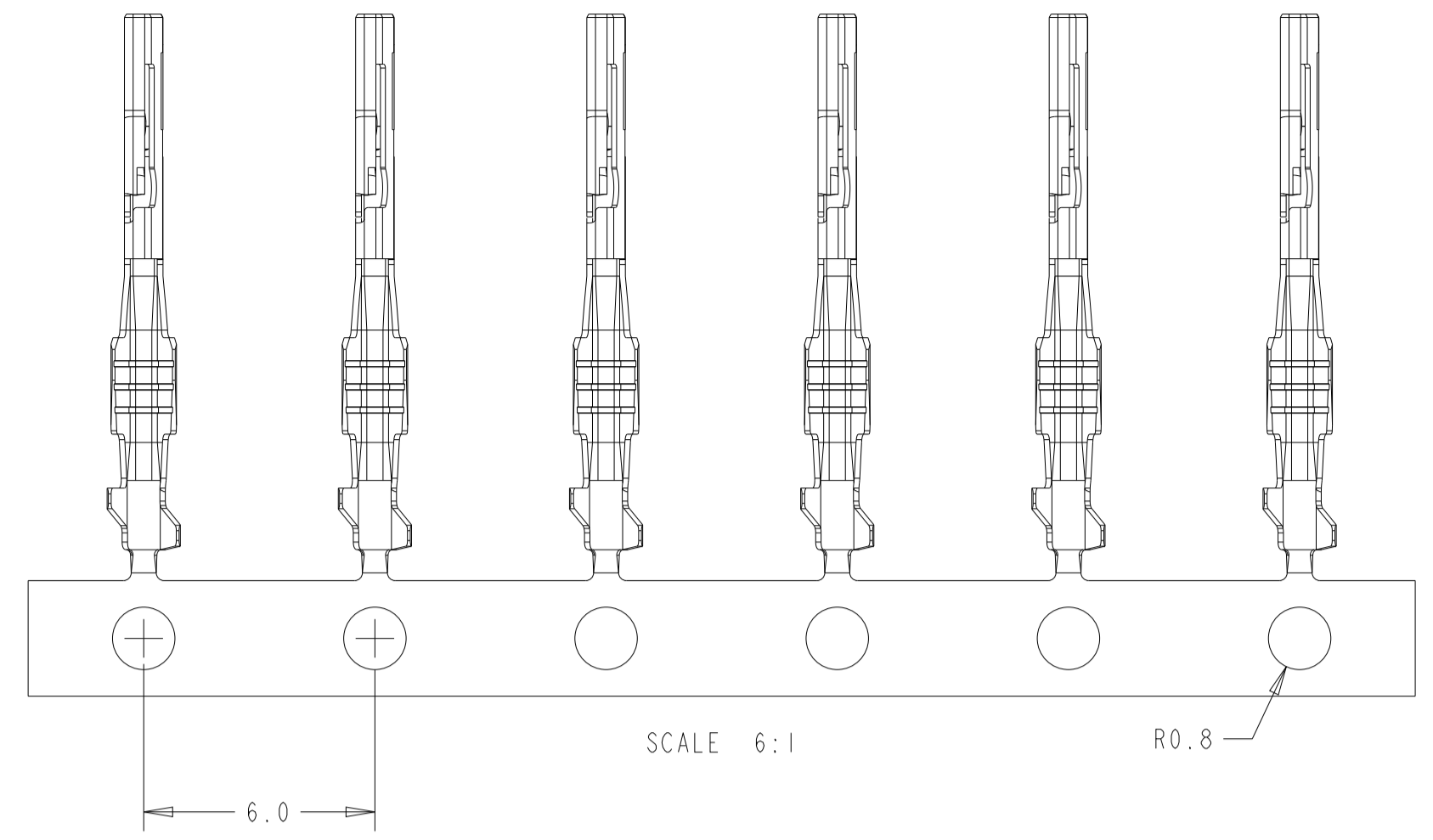


REVISIONS				
P	LTN	DESCRIPTION	DATE	APPR
I		INITIAL RELEASE	12JUL2021	F, F M, S
A		ECR-21-123282	07DEC2021	F, F M, S

- NOTE:
1. MATERIAL: COPPER ALLOY
THICKNESS: 0.15MM
 2. PLATING:
TIN PLATING OVER NICKEL PLATING OVERALL
 3. PART NUMBER ABBREVIATION ON BOTH SIDES.
 4. PACKAGED IN REEL INSIDE OF CARTON.



0.95...1.30 mm	0.22...0.35 mm ²	2834464-6
0.85...1.10 mm	0.13...0.17 mm ²	2834464-5
INSUL.DIA ISO∅	WIRE-SIZE DGB	PART NUMBER

THIS DRAWING IS A CONTROLLED DOCUMENT.

DIMENSIONS:	TOLERANCES UNLESS OTHERWISE SPECIFIED:	OWN: FRANK FAN 12JUL2021	TE Connectivity
mm	0 PLC ±0.5	CHK: GEORGE FU 12JUL2021	
	1 PLC ±0.3	APPR: MING SHI 12JUL2021	
	2 PLC ±0.15	NAME: SOCKET CONTACT FOR MINIDYNAMIC	
	3 PLC ±	PRODUCT SPEC: 108-137443	SIZE: CAGE CODE: DRAWING NO: RESTRICTED TO
	4 PLC ±	APPLICATION SPEC: 114-137526	A 00779 C=2834464
MATERIAL:	FINISH:	WEIGHT:	SCALE: 7:1 SHEET 1 OF 1 REV A
		CUSTOMER DRAWING	