

THIS DRAWING IS UNPUBLISHED.

RELEASED FOR PUBLICATION

20

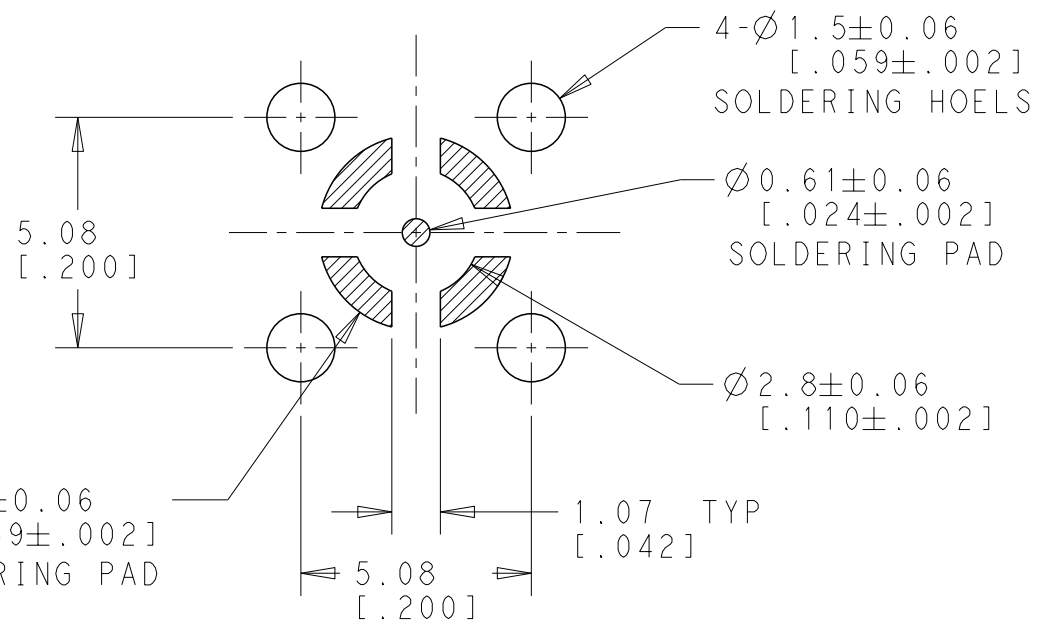
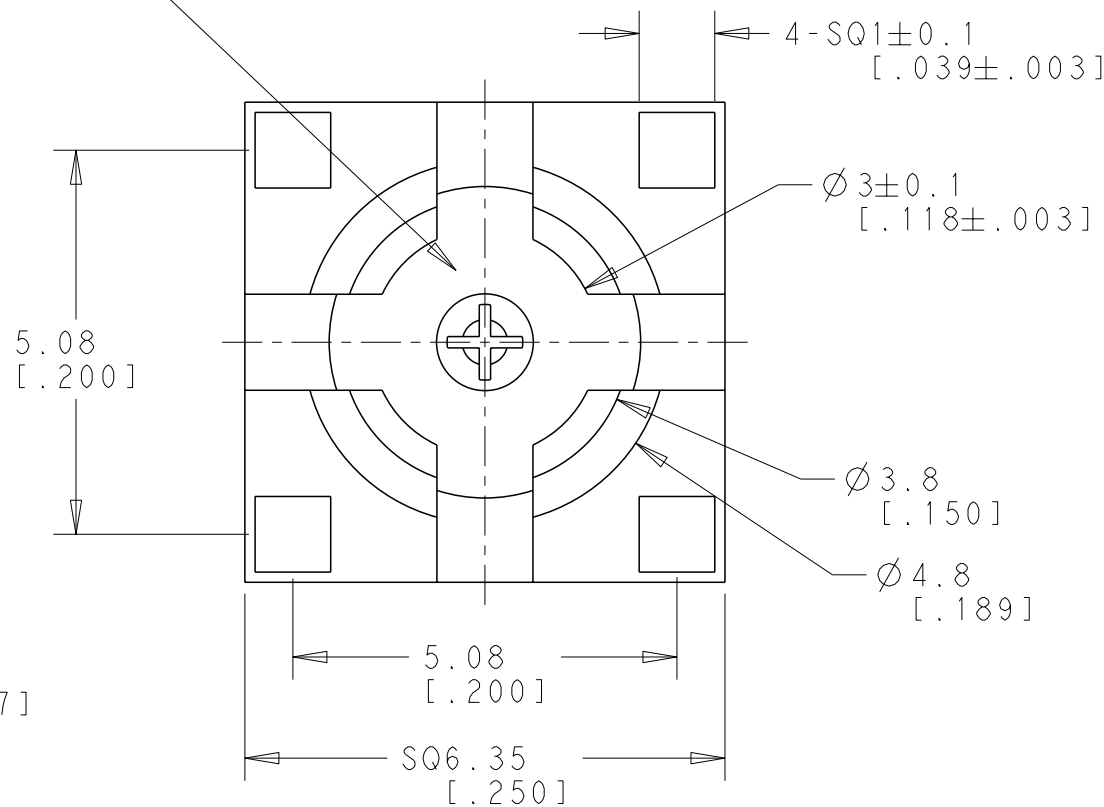
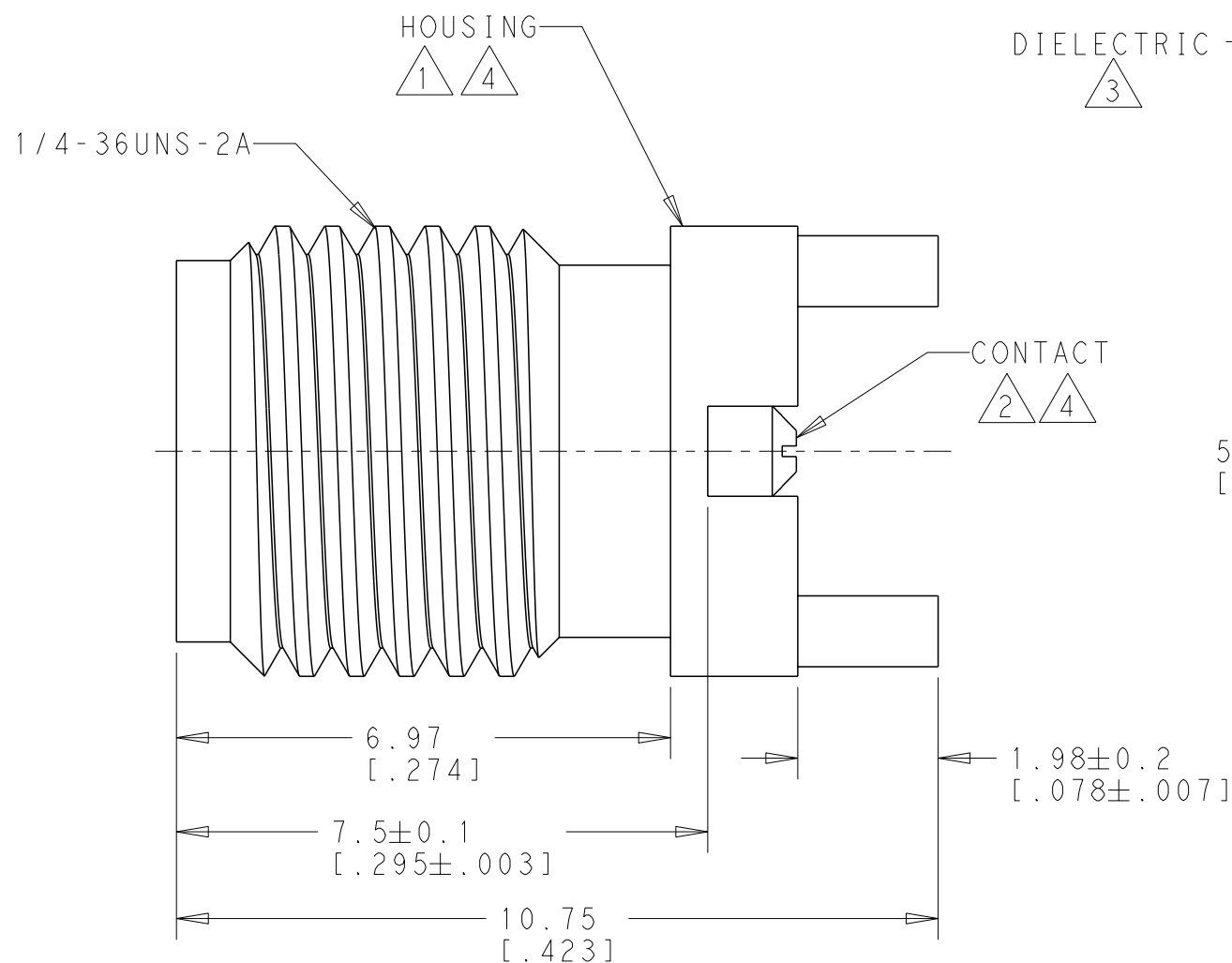
© COPYRIGHT 20 BY -

ALL RIGHTS RESERVED.

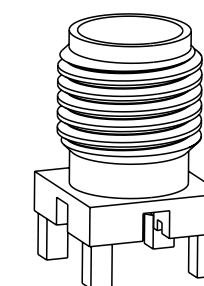
LOC - DIST -

REVISIONS

P	LTR	DESCRIPTION	DATE	DWN	APVD
	C1	REVISE PER ECR-17-006468	05MAY2017	LN	RS



- 1 BRASS
- 2 BERYLLIUM COPPER
- 3 PTFE
- 4 GOLD PLATED



SCALE 3:1

2081170-1

P/N

THIS DRAWING IS A CONTROLLED DOCUMENT.

DWN 29AUG2011

ANSON MA

CHK -

APVD 29AUG2011

MARTIN YE

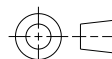
PRODUCT SPEC

APPLICATION SPEC

WEIGHT -

CUSTOMER DRAWING

DIMENSIONS:
mm[INCH]



TOLERANCES UNLESS OTHERWISE SPECIFIED:

0 PLC	±-
1 PLC	±0.2
2 PLC	±0.1
3 PLC	±0
4 PLC	±0
ANGLES	±2°

MATERIAL NOTES

FINISH NOTES

NAME

SMA JACK STRAIGHT, 26 GHz
RF CONNECTOR

SIZE

CAGE CODE

DRAWING NO

RESTRICTED TO

A3

00779

C=2081170

-

SCALE 10:1

SHEET 1 OF 1

REV C1

RECOMMENDED PCB LAYOUT
SCALE 6:1