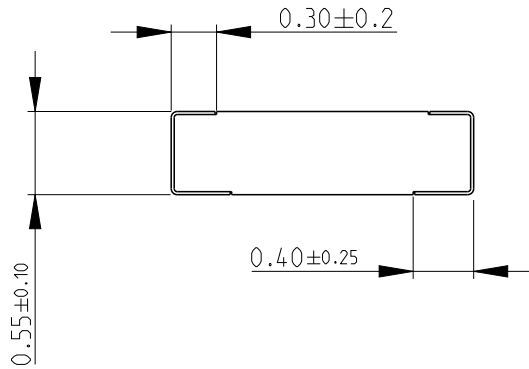
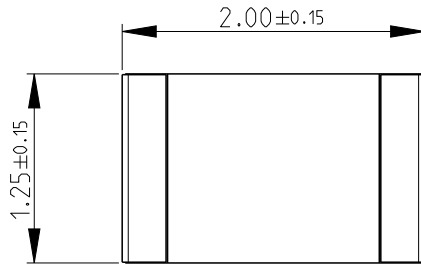


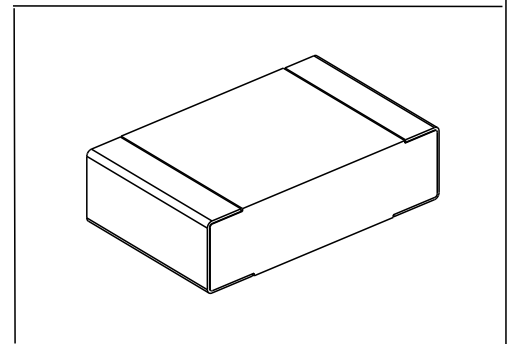
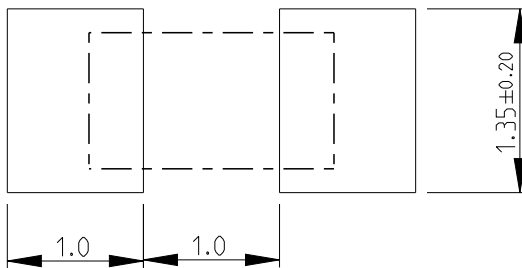
REVISIONS					
P	LTR	DESCRIPTION	DATE	DWN	APVD
	BC1	ECR-15-002767	20FEB2015	KR	TN



NOTES:

- 1) FOR FURTHER INFORMATION SEE DATA SHEET FOR RN73 SERIES-HIGH PRECISION RESISTORS (SMD)
- 2) 250 PER REEL PACKING SPEC NO LONGER AVAILABLE

RECOMMENDED LAND PATTERN



2010

RELEASED FOR PUBLICATION

ALL RIGHTS RESERVED.

THIS DRAWING IS UNPUBLISHED.

BY -

© COPYRIGHT 2010

DIMENSIONS: mm	DWN PARUSURAM.T	09NOV2010	MATERIAL	-	FINISH	-				
	CHK ALLAN.P	09NOV2010	TE Connectivity							
TOLERANCES UNLESS OTHERWISE SPECIFIED:	APVD STEPHEN.P	09NOV2010					NAME	HIGH PRECISION RESISTORS (SMD) SERIES RN73 2A		
	0 PLC ±0.2 1 PLC ±0.1 2 PLC ± 3 PLC ± 4 PLC ± ANGLES ±5°	PRODUCT SPEC	-	SIZE	CAGE CODE	DRAWING NO	RESTRICTED TO			
	APPLICATION SPEC	-	A 4	00779	©=1676191	-				
	WEIGHT	-	Customer Drawing		SCALE	20:1	SHEET	1 OF 1	REV	BC1