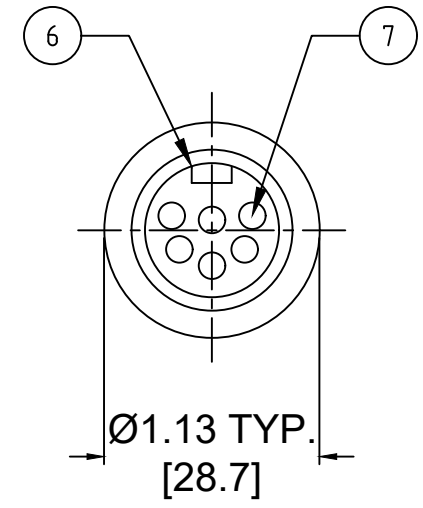
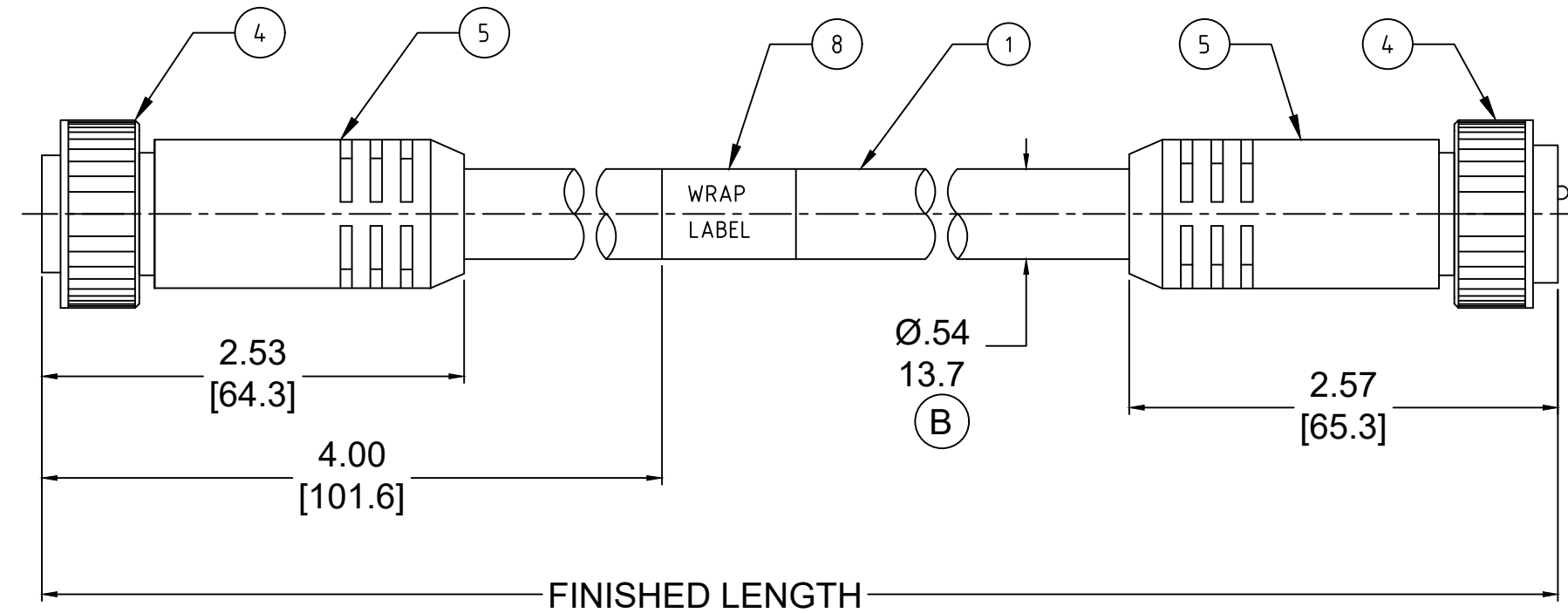
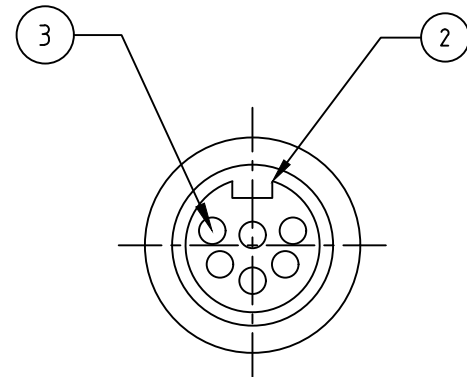


| FACE VIEW-FEMALE INSERT   |  |   | FACE VIEW-MALE INSERT   |  |   |
|---|--|---|---|--|---|
|   |  |   |   |  |   |
| 1 ORANGE<br>2 BLUE<br>3 BLACK<br>4 WHITE<br>5 RED<br>6 GREEN/YELLOW | 1 WHITE/BLACK<br>2 BLACK<br>3 WHITE<br>4 RED<br>5 ORANGE<br>6 BLUE<br>7 GREEN/YELLOW | 1 ORANGE<br>2 BLUE<br>3 WHITE/BLACK<br>4 BLACK<br>5 WHITE<br>6 RED<br>7 GREEN/YELLOW<br>8 RED/BLACK | 1 ORANGE<br>2 BLUE<br>3 BLACK<br>4 WHITE<br>5 RED<br>6 GREEN/YELLOW | 1 WHITE/BLACK<br>2 BLACK<br>3 WHITE<br>4 RED<br>5 ORANGE<br>6 BLUE<br>7 GREEN/YELLOW | 1 ORANGE<br>2 BLUE<br>3 WHITE/BLACK<br>4 BLACK<br>5 WHITE<br>6 RED<br>7 GREEN/YELLOW<br>8 RED/BLACK |

| PART NO    | ENGINEERING NO. | FINISHED LENGTH     |
|------------|-----------------|---------------------|
| 1300110008 | 226020A01F030   | 3FT [ 0.9M ]        |
| 1300110082 | 227020A01M300   | 30M [ 98FT 5 IN ]   |
| 1300110158 | 228020A01M600   | 60M [ 196FT 10 IN ] |



- NOTES:
- MATERIAL: AS NOTED
  - FINISH: AS NOTED
  - ELECTRICAL:  
6 POLE: VOLTAGE: 400V PER IEC60664  
600V PER UL2238  
CURRENT: 8A  
7 POLE: VOLTAGE: 320V PER IEC60664  
600V PER UL2238  
CURRENT: 8A  
8 POLE: VOLTAGE: 320V PER IEC60664  
600V PER UL2238  
CURRENT: 7A
  - TEMP RATING: -20°TO +105°C
  - PROTECTION: IP67 (WHEN MATED)
  - COUPLING THREAD: 1"-16 UN
  - UL RECOGNIZED FILE: E152210  
CSA CERTIFIED FILE: LR6837 (B)
  - ALL DIMENSIONS ARE FOR REFERENCE UNLESS TOLERANCED OR NOTED OTHERWISE

**PART NO. MATRIX**  
**227020A01M010**  
 POLES (6,7,8)      FINISHED LENGTH:  
 M005= 0.5 METER  
 M010= 1 METER  
 M100= 10 METER  
 F010= 1 FOOT  
 F100= 10 FEET

**CABLE LENGTH TOLERANCES**

|                          |                         |
|--------------------------|-------------------------|
| >.3M [1FT]:              | +19mm-0 [ +.75in-0]     |
| .3 - .9M [1 - 3FT]:      | +44.5mm-0 [+1.75in-0]   |
| .9 - 1.8M [3 - 6FT]:     | +55.6mm-0 [+2.19in-0]   |
| 1.8 - 3.7M [6 - 12FT]:   | +88.9mm-0 [+3.50in-0]   |
| 3.7 - 7.3M [12 - 24FT]:  | +165.1mm-0 [+6.50in-0]  |
| 7.3-14.6M [24 - 48FT]:   | +317.5mm-0 [+12.50in-0] |
| 14.6 - 30.5M [48-100FT]: | +622.3mm-0 [+24.50in-0] |
| OVER 30M [100FT]         | +2% OF FINISHED LENGTH  |

|      |                         |               |              |
|------|-------------------------|---------------|--------------|
| 8    | WRAP LABEL              | VINYL         | BLACK/YELLOW |
| 7    | CONTACT PIN             | COPPER ALLOY  | GOLD PLATED  |
| 6    | MALE INSERT             | TPE           | YELLOW       |
| 5    | OVERMOLD                | TPE           | YELLOW       |
| 4    | COUPLING                | ZINC DIE-CAST | BLACK        |
| 3    | CONTACT SOCKET          | COPPER ALLOY  | GOLD PLATED  |
| 2    | FEMALE INSERT           | TPE           | YELLOW       |
| 1    | CABLE, 16AWG, TPE,STOOW | PVC JACKET    | YELLOW       |
| ITEM | DESCRIPTION             | MATERIAL      | FINISH       |

THIS DRAWING CONTAINS INFORMATION THAT IS PROPRIETARY TO MOLEX ELECTRONIC TECHNOLOGIES, LLC AND SHOULD NOT BE USED WITHOUT WRITTEN PERMISSION

|                    |  |                        |   |
|--------------------|--|------------------------|---|
| FUNCTIONAL SYMBOLS | DIMENSION UNITS                                      | SCALE                  | CURRENT REV DESC: ITEM# 2, 5 & 6 WERE PVC. ADDED "CSA" IN NOTES. ADDED CABLE DIA. MODIFIED MATERIAL TABLE |
|                    | INCH/MM  | NTS                    |   |
|                    | GENERAL TOLERANCES (UNLESS SPECIFIED)                |                        |   |
|                    | mm   | INCH                   |   |
| DIVISIONAL SYMBOLS | 4 PLACES   | ±----                  | EC NO: 643513   |
|                    | 3 PLACES   | ±----                  | DRWN: ABENJAMINLW 2020/07/29  |
|                    | 2 PLACES   | ±----                  | CHK'D: RSTONE 2020/08/28  |
|                    | 1 PLACE  | ±----                  | APPR: BWOODMAN 2020/09/15   |
|                    | 0 PLACES   | ±----                  | INITIAL REVISION:   |
|                    | ANGULAR TOL ± 0.5 °                                  |                        | DRWN: RSTONE 2016/11/30   |
|                    | DRAFT WHERE APPLICABLE MUST REMAIN WITHIN DIMENSIONS | THIRD ANGLE PROJECTION | APPR: BWOODMAN 2016/12/20   |
|                    |  | DRAWING                | SERIES  |
|                    |  | C-SIZE                 | 139990  |
|                    |  | MATERIAL NUMBER        | CUSTOMER  |
|                    |  | SEE CHART              | GENERAL MARKET  |
|                    |  | SHEET NUMBER           | 1 OF 1  |

**molex**

MINI-CHANGE CORDSET, B-SIZE,  
6-8 POLE, MALE-FEMALE, STRAIGHT, SINGLE KEY,  
16 AWG

PRODUCT CUSTOMER DRAWING

DOCUMENT NUMBER: **SD-130011-006**      DOC TYPE/DOC PART/REVISION: PSD 001 B