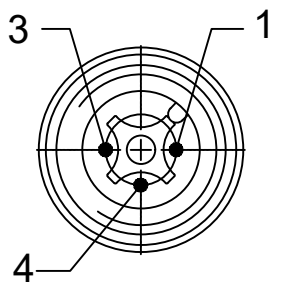
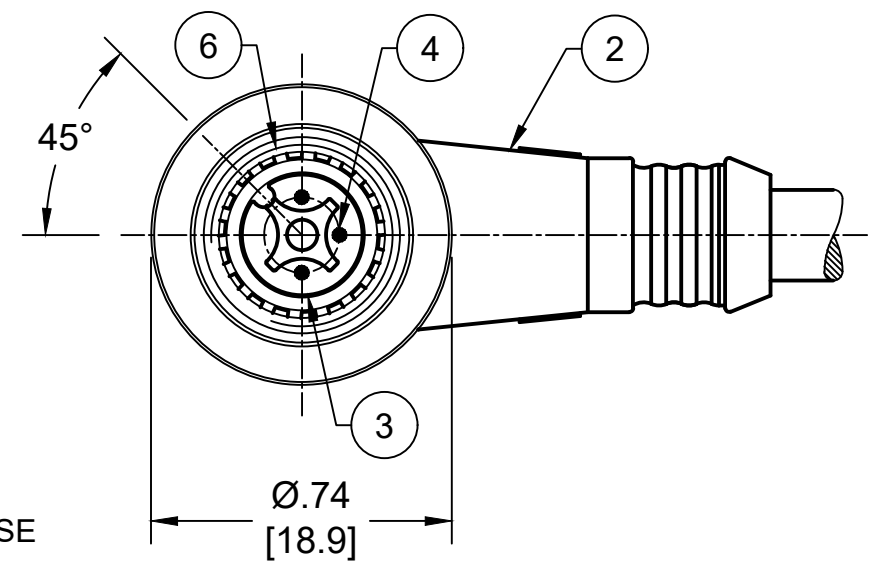
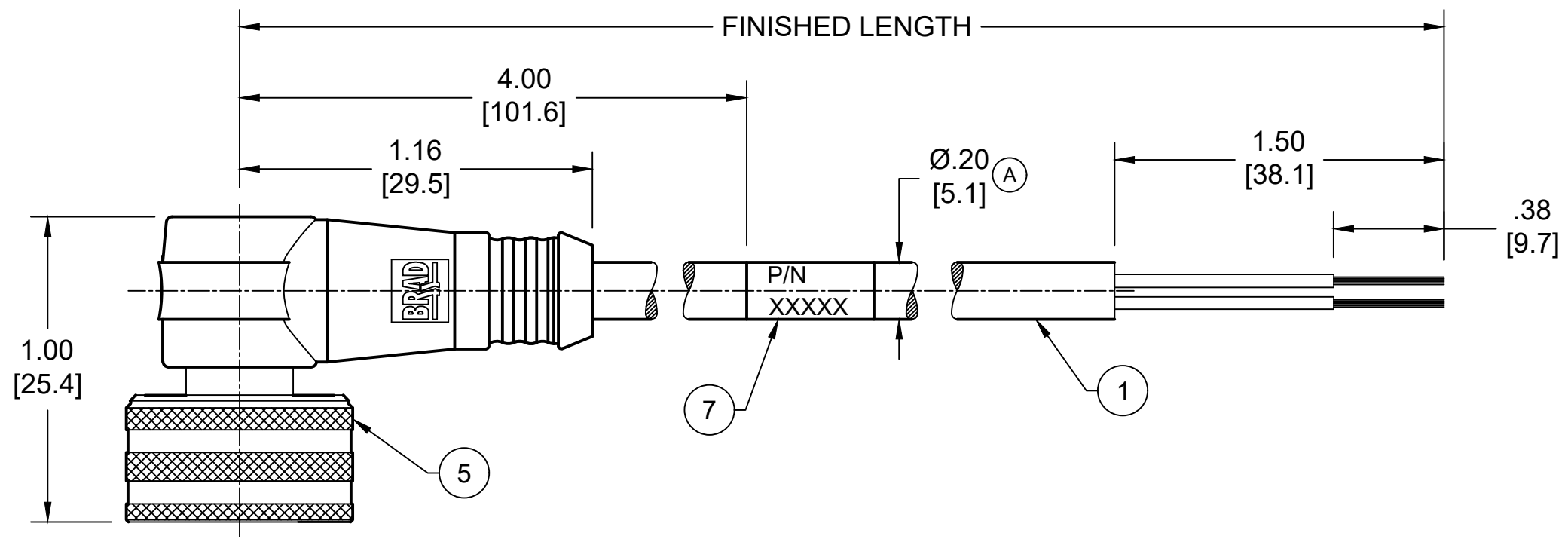


**MALE FACE VIEW  
3-POLE**



**WIRING DIAGRAM**

- 1 BROWN
- 3 BLUE
- 4 BLACK



- NOTES:**
1. MATERIAL: AS NOTED
  2. FINISH: AS NOTED
  3. ELECTRICAL:  
VOLTAGE: 250V  
CURRENT: 4A
  4. TEMP RATING: -20°TO +105°C
  5. PROTECTION: IP67/69K (WHEN MATED)
  6. CSA CERTIFIED FILE: LR6837 (A)
  7. ALL DIMENSIONS ARE FOR REFERENCE  
UNLESS TOLERANCED OR NOTED OTHERWISE

PART NO	ENGINEERING NO.	FINISHED LENGTH
1200790025	W03007A09M010	1M [3FT 3 IN]
1200790222	W03007A09M050	5M [16FT 5 IN]
1200790224	W03007A09M100	10M [32FT 10 IN]

**PART NUMBER LEGEND  
W03007A09M010**

**FINISHED LENGTH**  
M005 = 0.5 METER  
M010 = 1 METER  
M100 = 10 METER

**CABLE LENGTH TOLERANCES**

<.3M [1FT]:	+19mm-0 [+ .75in-0]
.3 - .9M [1 - 3FT]:	+44.5mm-0 [+1.75in-0]
.9 - 1.8M [3 - 6FT]:	+55.6mm-0 [+2.19in-0]
1.8 - 3.7M [6 - 12FT]:	+88.9mm-0 [+3.50in-0]
3.7 - 7.3M [12 - 24FT]:	+165.1mm-0 [+6.50in-0]
7.3-14.6M [24 - 48FT]:	+317.5mm-0 [+12.50in-0]
14.6 - 30.5M [48-100FT]:	+622.3mm-0 [+24.50in-0]
OVER 30M [100FT]	+2% OF FINISHED LENGTH

7	WRAP LABEL	VINYL	BLACK/YELLOW
6	O-RING	VITON	GREEN
5	COUPLER	BRASS	NICKEL PLATED
4	CONTACT PIN	COPPER ALLOY	GOLD OVER NICKEL
3	MALE INSERT	PUR	BLACK
2	OVERMOLD	PUR	YELLOW
1	#22 AWG CABLE	PVC JACKET	YELLOW
ITEM	DESCRIPTION	MATERIAL	FINISH

FUNCTIONAL SYMBOLS $F_A=0$ $F_P=0$ $F_D=0$ DIVISIONAL SYMBOLS	THIS DRAWING CONTAINS INFORMATION THAT IS PROPRIETARY TO MOLEX ELECTRONIC TECHNOLOGIES, LLC AND SHOULD NOT BE USED WITHOUT WRITTEN PERMISSION	SCALE INCH/MM NTS		CURRENT REV DESC: ITEM #3 WAS NYLON & #7 WAS MYLAR. REMOVED UL. ADDED CSA. CABLE DIA, PN MATRIX & TOL CHART. MODIFIED PN TABLE.	
	GENERAL TOLERANCES (UNLESS SPECIFIED)		EC NO: 702709 DRWN: ABENJAMINLW 2021/07/23 CHK'D: RSTONE 2022/04/11 APPR: BWOODMAN 2022/04/16		<b>molex</b> MICRO-CHANGE ULTRA LOCK, M12 3-POLE, MALE, 90DEG, SINGLE KEY, #22 AWG
	DRAFT WHERE APPLICABLE MUST REMAIN WITHIN DIMENSIONS		INITIAL REVISION: DRWN: LSTEMMLE 2010/02/12 APPR: FPACHER 2010/02/15		
	DOCUMENT NUMBER SD-120079-028		DOC TYPE PSD		DOC PART 001
SHEET NUMBER 1 OF 1		MATERIAL NUMBER SEE CHART		CUSTOMER GENERAL MARKET	