

MOLEX PART NUMBER	COLOR	TYPE	ALLOWED WIRE DIAMETER	WEIGHT (g)	ØA	ØB
0643251366	BLUE	2	3.40/4.20	0.137	2.55/2.70	2.80/2.95
0643251358	GREY	2	2.65/3.50	0.158	2.00/2.15	2.20/2.35
0643251345	GREEN	1	2.00/2.80	0.168	1.40/1.70	2.25/2.55
0643251332	RED	3	1.30/2.15	0.190	0.70/1.00	-

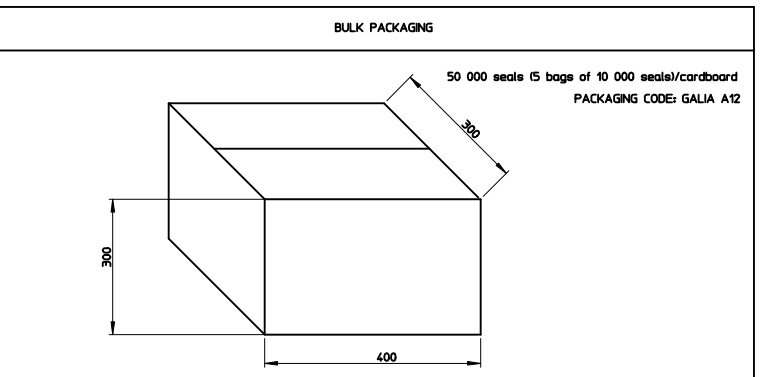
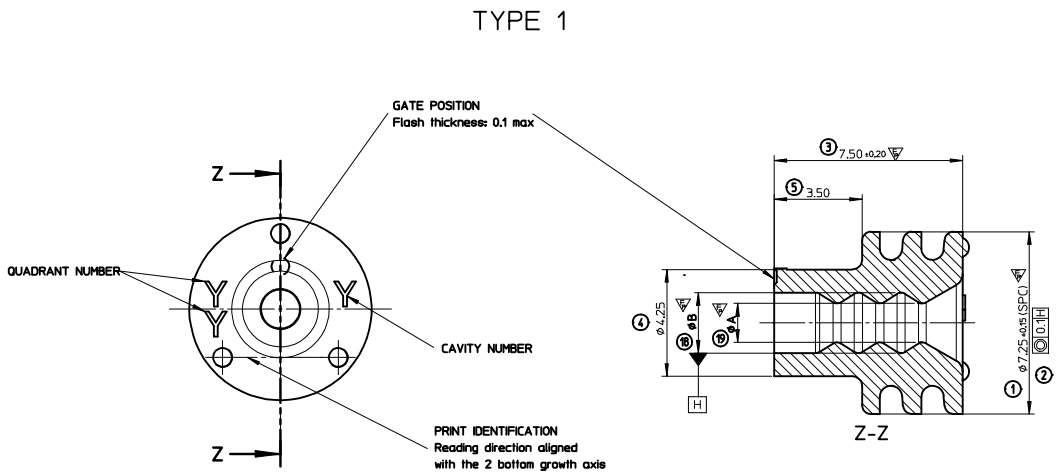
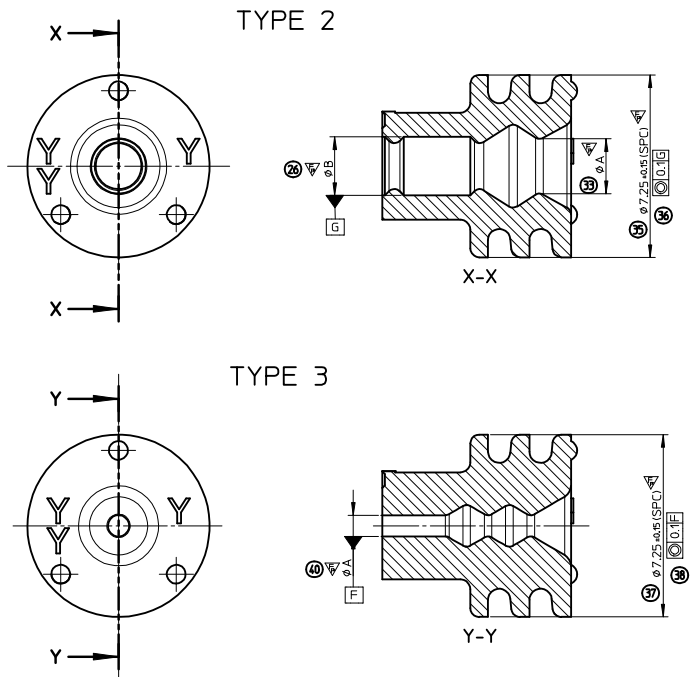
(SPC): DENOTE SPC DIMENSION (3)

QUALITY SYMBOL COUNT	
PERFORMANCE	▽ - 10
ASSEMBLY	▽ - 0
CUSTOMER	▽ - 0

▽ MATERIAL SPECIFICATION : Silicon elastomer type LSR self bleeding (2% approx)

UPDATE TYPE 2 EEC NO: G2013-0087 DRYNADVERHERE 2012/09/27 CHYKO-DUCLOS 2012/09/28 APPROUPELLESSIS 2012/10/26 REV DESCRIPTION	GENERAL TOLERANCES (UNLESS SPECIFIED) mm INCH		DIMENSION STYLE MM ONLY		SCALE 10:1	DESIGN UNITS METRIC	FIRST ANGLE PROJECTION
	4 PLACES ± --- ± ---		DRAWN BY	DATE	TITLE		
	3 PLACES ± --- ± ---		JDUCLIOS	2010/04/07	SGL WIRE SEALS 2.8 W/O RIB		
	2 PLACES ± 0.1 ± ---		CHECKED BY	DATE			
1 PLACE ± 0.1 ± ---		CBOUCHAN	2010/04/07				
0 PLACE ± 0.1 ± ---		APPROVED BY	DATE				
		BMOSE	2010/05/04				
ANGULAR ±1/2° DRAFT WHERE APPLICABLE MUST REMAIN WITHIN DIMENSIONS		SEE CHART		MATERIAL NO. SD-64325-006		SHEET NO. 1 OF 1	
THIS DRAWING CONTAINS INFORMATION THAT IS PROPRIETARY TO MOLEX INCORPORATED AND SHOULD NOT BE USED WITHOUT WRITTEN PERMISSION							

Flash max 0.1. No cut, no short shots.
 no tear, no distortion on seal lips allowed.



MOLEX PART NUMBER	COLOR	TYPE	ALLOWED WIRE DIAMETER	WEIGHT (g)	ϕA	ϕB
0643251366	BLUE	2	3.40/4.20	0.137	2.55/2.70	2.80/2.95
0643251358	GREY	2	2.65/3.50	0.158	2.00/2.15	2.20/2.35
0643251345	GREEN	1	2.00/2.80	0.168	1.40/1.70	2.25/2.55
0643251332	RED	3	1.30/2.15	0.190	0.70/1.00	-

(SPC): DENOTE SPC DIMENSION (3)

QUALITY SYMBOL COUNT	
PERFORMANCE	$\nabla = 10$
ASSEMBLY	$\nabla = 0$
CUSTOMER	$\nabla = 0$

MATERIAL SPECIFICATION : Silicon elastomer type LSR self bleeding (2% approx)

Flash max 0.1. No cut, no short shots.
no tear, no distortion on seal lips allowed.

UPDATE TYPE 2	REV	DESCRIPTION	GENERAL TOLERANCES (UNLESS SPECIFIED)		DIMENSION STYLE		SCALE	DESIGN UNITS	FIRST ANGLE PROJECTION	
			mm	INCH	MM ONLY	METRIC				
1			4 PLACES	± 0.1	± 0.004	DATE	10:1	METRIC	TITLE	
2			3 PLACES	± 0.1	± 0.004	2010/04/07			SGL WIRE SEALS 2.8 W/O RIB	
3			2 PLACES	± 0.1	± 0.004	CBOUCHAN				
4			1 PLACE	± 0.1	± 0.004	DATE				
5			0 PLACE	± 0.1	± 0.004	BMOSE	2010/05/04		DOCUMENT NO.	SD-64325-006
MATERIAL NO. SEE CHART DRAFT WHERE APPLICABLE MUST REMAIN WITHIN DIMENSIONS ANGULAR $\pm 1/2^\circ$			SIZE 1 THIS DRAWING CONTAINS INFORMATION THAT IS PROPRIETARY TO MOLEX INCORPORATED AND SHOULD NOT BE USED WITHOUT WRITTEN PERMISSION		SHEET NO. 1 OF 1					