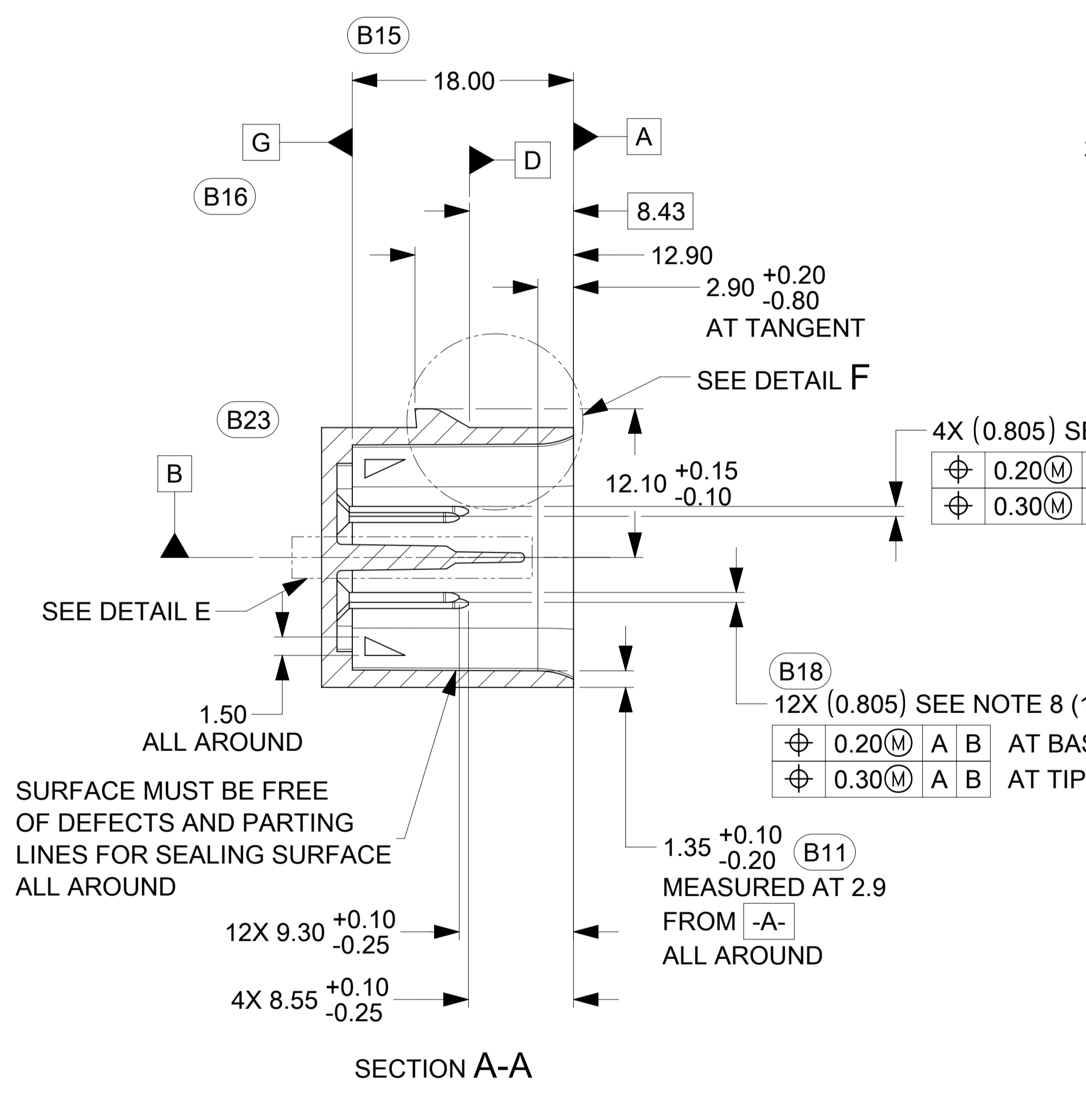
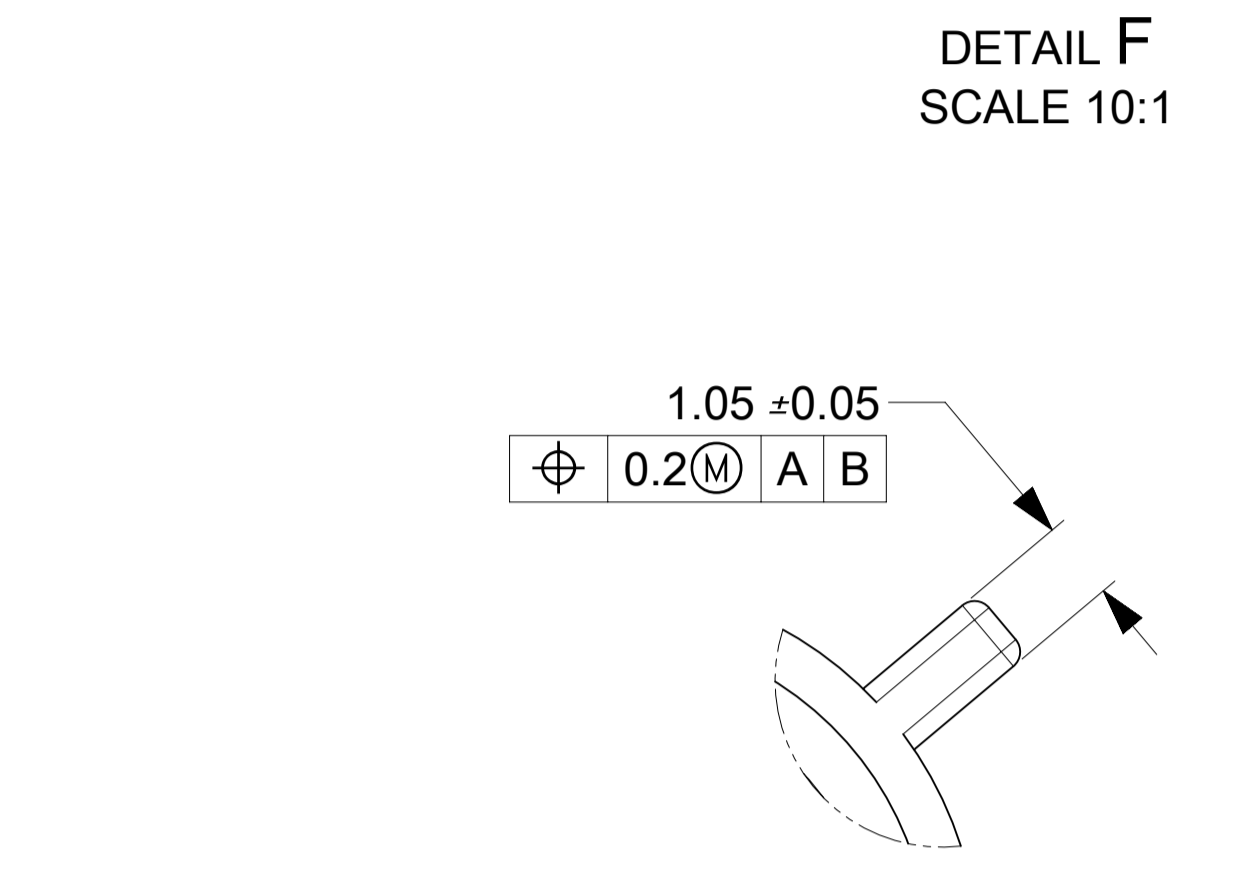
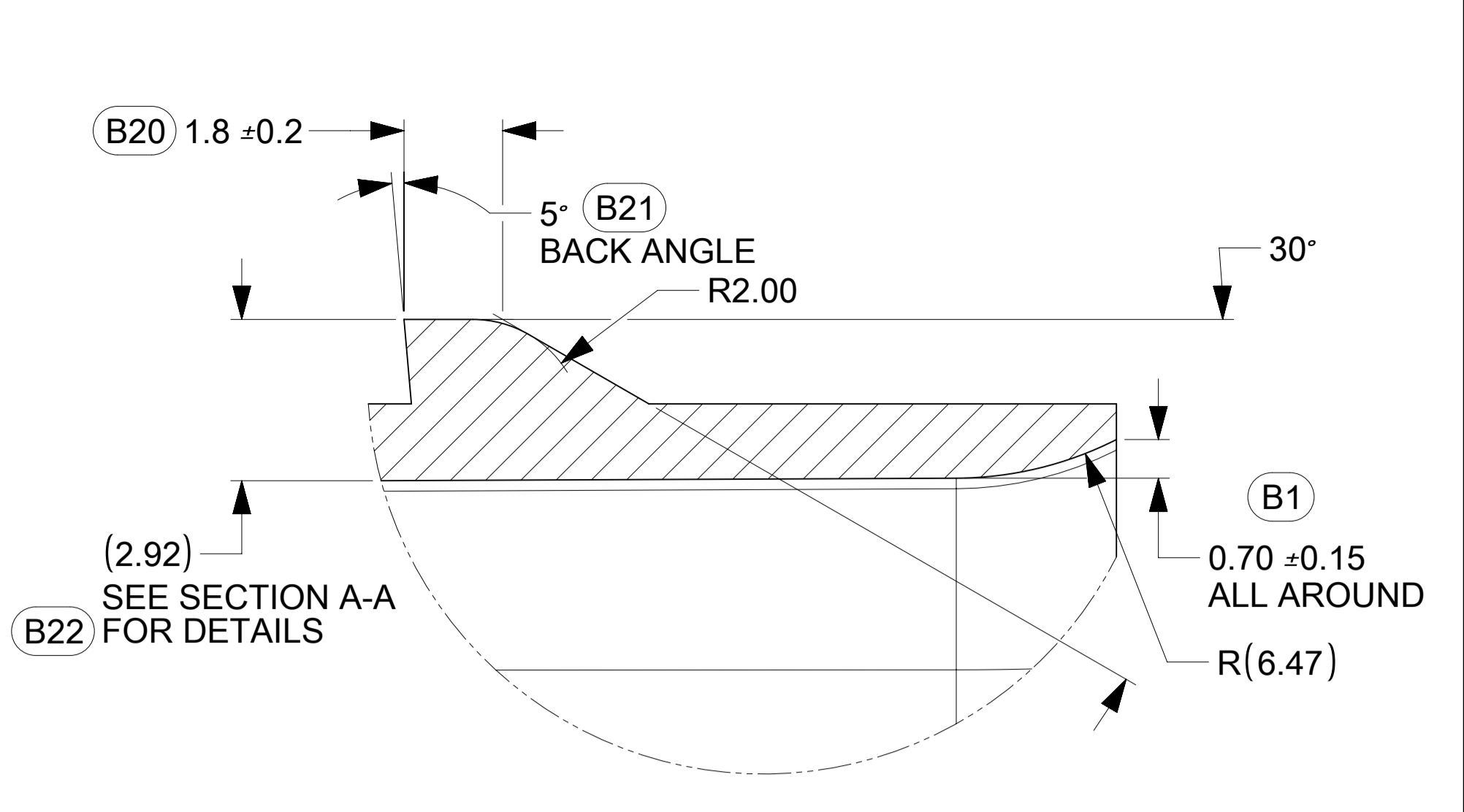
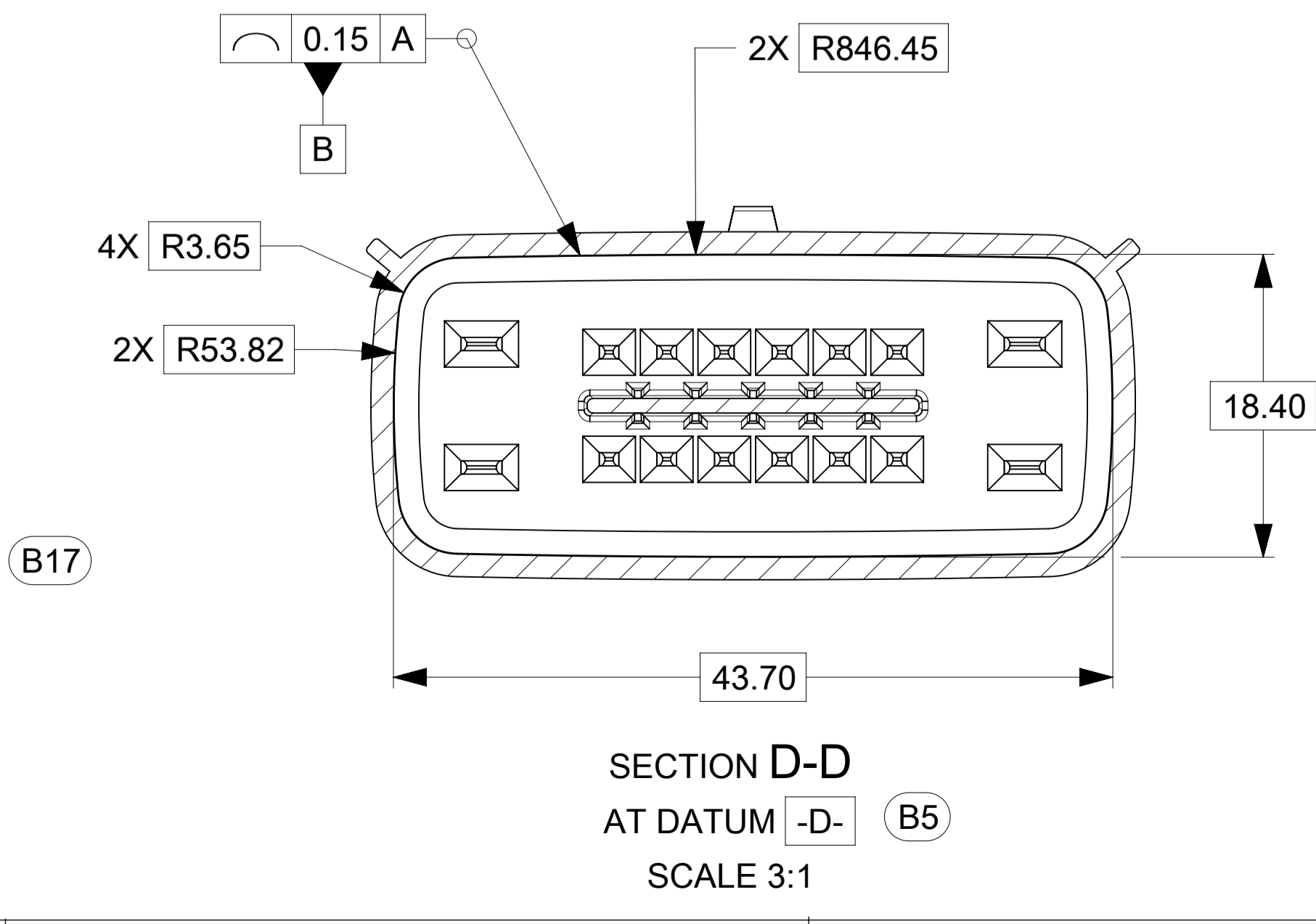
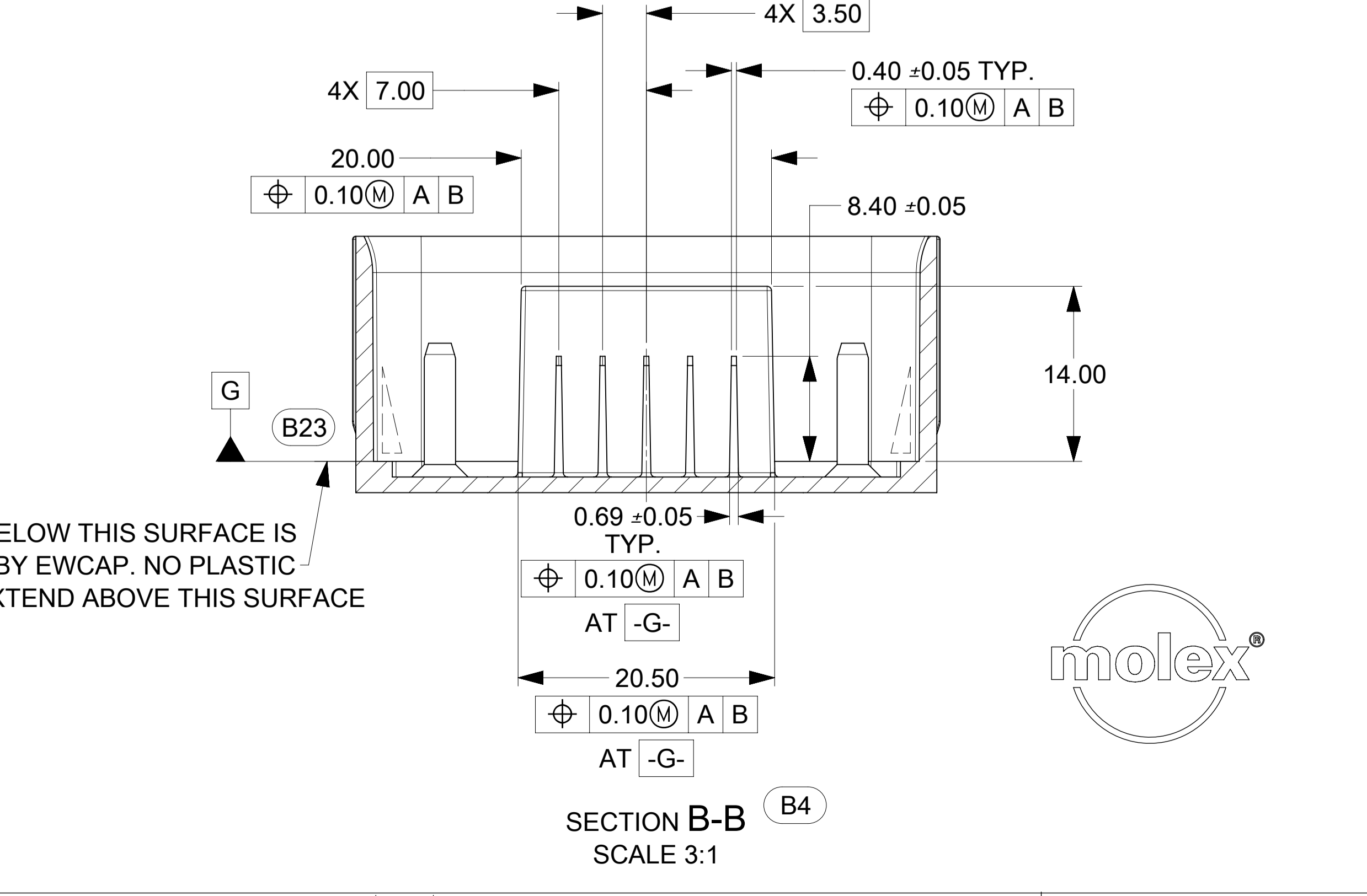
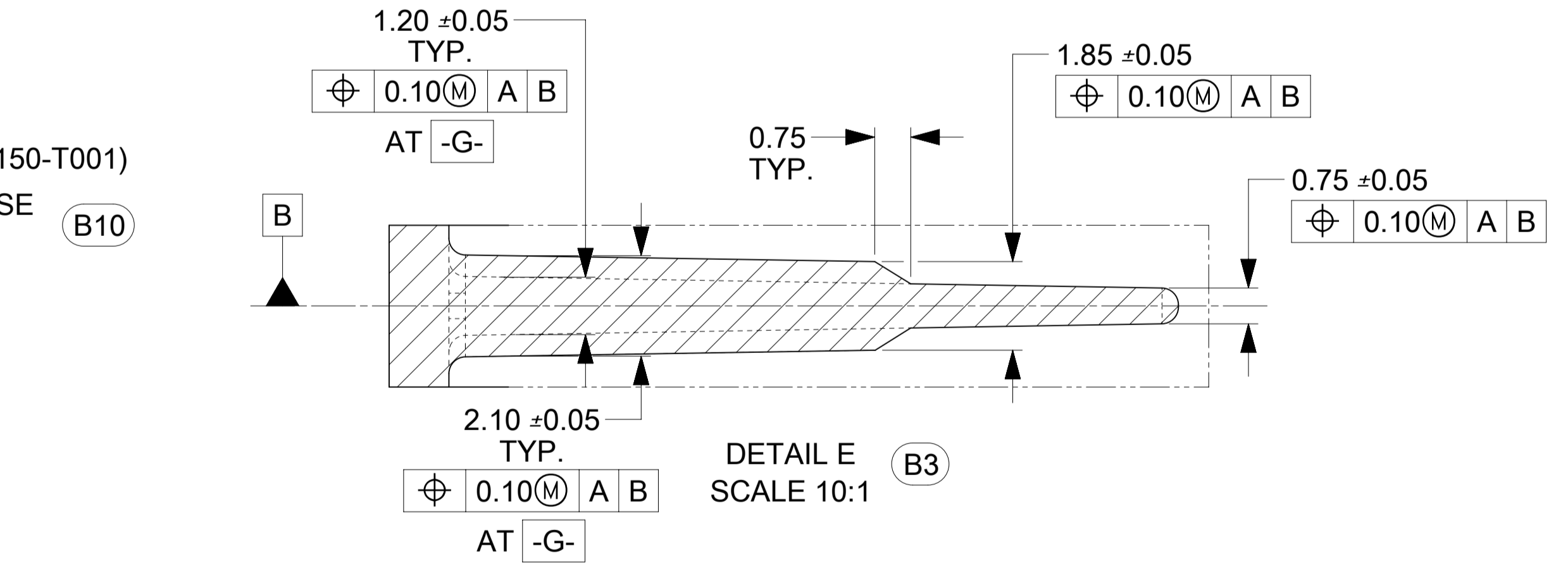
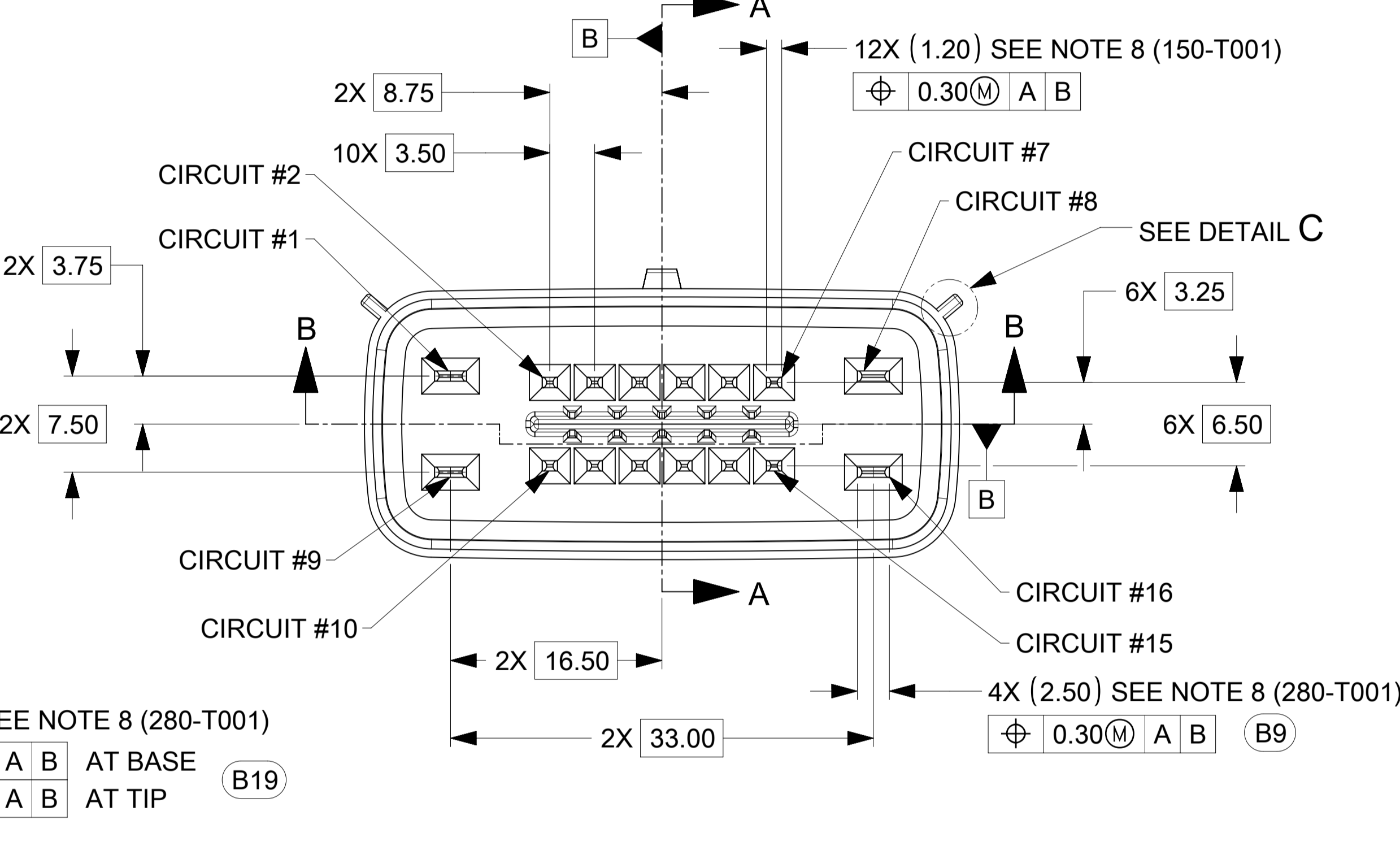
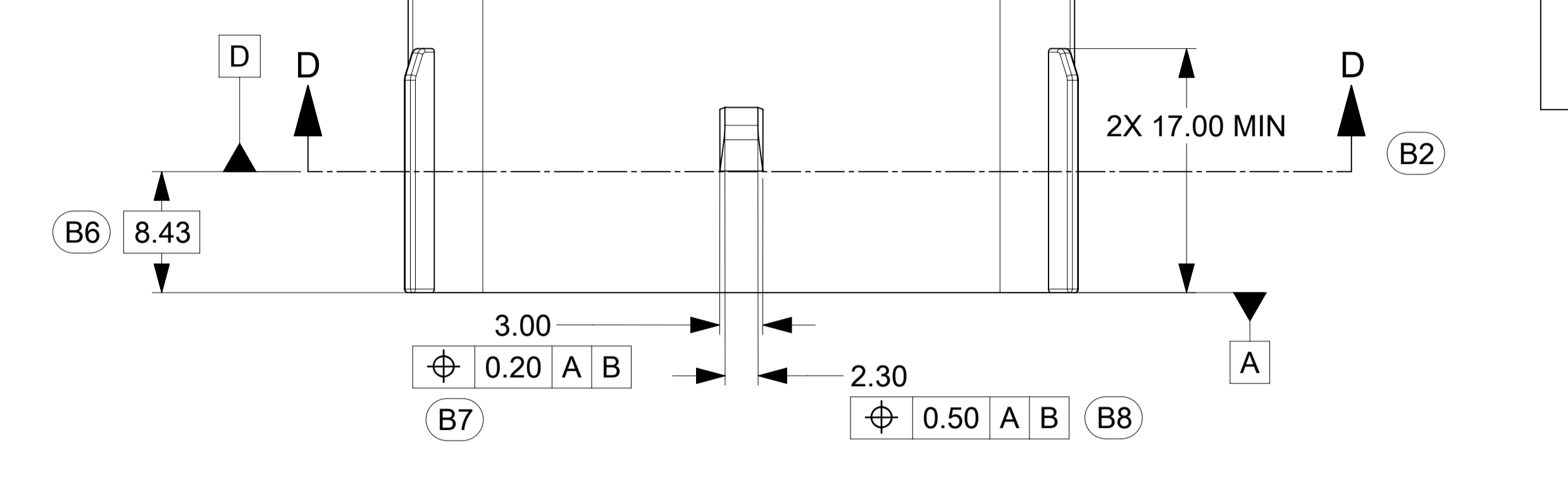
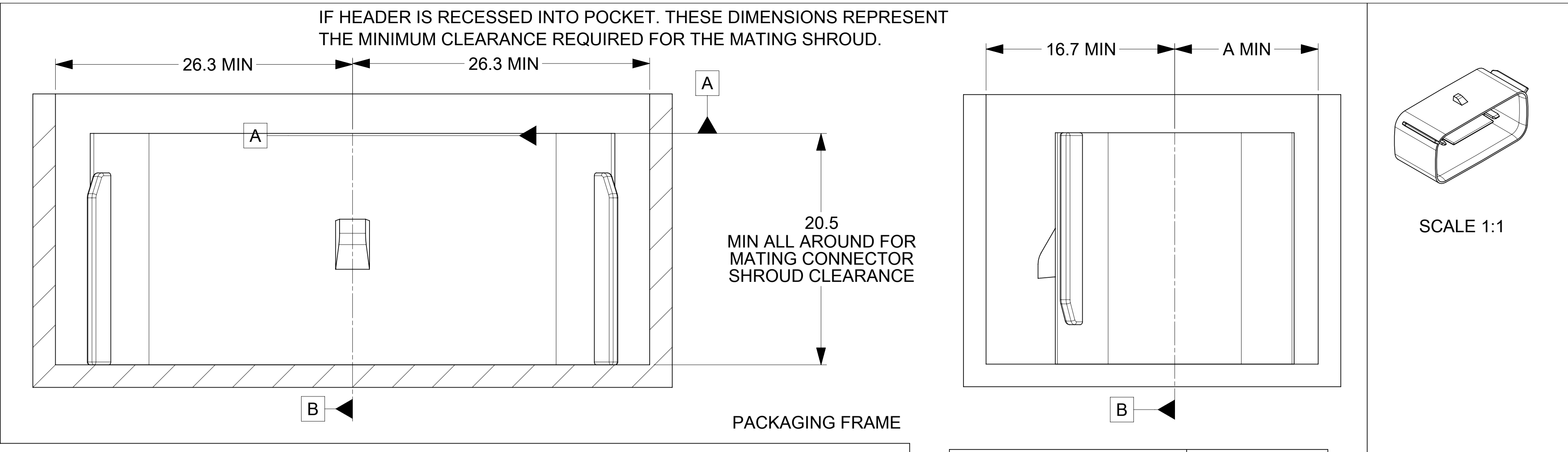


EWCAP PIN	OPTION	MATING CONNECTOR COLOR
999-S-016-2-H01	H	YELLOW
999-S-016-2-G01	G	YELLOW
999-S-016-2-F01	F	YELLOW
999-S-016-2-E01	E	YELLOW
999-S-016-2-D01	D	BLACK
999-S-016-2-C01	C	DARK GREY
999-S-016-2-B01	B	GREY
999-S-016-2-A01	A	BLACK



NOTES: UNLESS OTHERWISE SPECIFIED

- DRAFT ANGLE PERMISSIBLE 0.25° MAXIMUM.
- ALL DIMENSIONS SHOWN IN MILLIMETERS.
- DIMENSIONING AND TOLERANCING PER ASME Y14.5M-1994
- RADII ON ALL CORNERS SHOWN SHARP OR ALL UNSPECIFIED RADII: 0.25 EXCEPT AS NOTED.
- STANDARD COLORS FOR POLARIZATION (SEE CHART). DEVIATION REQUIRES APPROVAL OF AUTHORIZED PERSON.
- A FULL SHROUD ON THE MATING CONNECTOR IS REQUIRED TO INSURE THAT THE CONNECTOR-HEADER POLARIZATION FEATURES (OPTIONS A THRU H) WILL FUNCTION. THE SHROUD ALSO PREVENTS SCOOP DAMAGE TO THE HEADER PINS. REFER TO "SAE/USCAR-12 CONNECTOR DESIGN GUIDE LINES" FOR ADDITIONAL INFORMATION.
- REFER TO USCAR/EWCAP PART LIST AS FOUND ON WEBSITE <http://www.uscarteams.org>
- FOR BLADE TERMINAL DESIGN INFORMATION SEE EWCAP DWG. # EWCAP-001
- THIS IS A 100% CAD GENERATED PART. THE CAD MATHEMATICAL DATA IS THE MASTER FOR THIS PART. FOR DIMENSIONAL OR ANY INFORMATION NOT SHOWN ON THIS DRAWING, ANALYZE THE CAD MODEL.



REV	DESCRIPTION	DATE	DWN	CHK	
162	C	CHARTED DIMENSION ADDED FOR WITH AND WITHOUT CLIPSLLOT	8-3-20	GE	MV
088	B23	ADDED DRAFT DIRECTION SYMBOL	3-25-11		
088	B22	ADDED REF DIMENSION FOR	3-11-11		
		LATCH HEIGHT			
088	B21	REMOVED THE WORD "OPTION" AT VIEW OF BACK ANGLE	3-11-11		
088	B20	CHANGED FROM 1.79 TO 1.80	3-11-11		
088	B19	ADDED 4X (0.805) 0.20 (M) A B AT BASE AND 0.30 (M) A B AT TIP FOR 2.8	1-14-11		
		BLADE TERMINALS			
088	B18	CHANGED 16X TO 12X FOR THE 1.5	1-14-11		
		BLADE TERMINALS			
088	B17	UPDATED CONNECTOR COLORS	1-14-11		
088	B16	ADDED -G-	5-04-10		
088	B15	REMOVED 0.10 (M) A B	5-04-10		
088	B14	REMOVED SHORTING BAR NOTE	5-04-10		
088	B13	UPDATED NOTE 8 REMOVED REV F	5-04-10		
088	B12	ADDED NOTE 9	5-04-10		
088	B11	ADDED DIM 1.35±0.10/-0.20 MEASURED AT 2.9 FROM -A- ALL AROUND	5-04-10		
		AT 2.9 FROM -A- ALL AROUND			
088	B10	ADDED SEE NOTE 8	5-04-10		
088	B9	2.50 WAS 2.80, ADDED (280-T001)	5-04-10		
088	B8	ADDED 0.50 (M) A B	5-04-10		
088	B7	ADDED 0.20 (M) A B	5-04-10		
088	B6	ADDED DIM 8.43	5-04-10		
088	B5	ADDED SEC C-C	5-04-10		
088	B4	UPDATED SEC B-B	5-04-10		
088	B3	ADDED DETAIL D	5-04-10		
088	B2	ADDED SEC C-C	5-04-10		
088	B1	ADDED DIM 0.70±0.15 ALL AROUND	5-04-10		
088	B	RELEASED	5-04-10	KC	MV

CHANGE SERIAL NUMBER	LET	REVISION RECORD	DATE	DWN	CHK

TOLERANCES (UNLESS OTHERWISE SPECIFIED)		THRU ANGLE PROJECTION	
DIMENSIONS ARE IN	MILLIMETERS		
X	±0.2	3°	
XX	±0.10		

SCALE	4 - 1	DRAWN BY	G.ELLIOTT	CHECKED BY	M.VANSLAMBROUCK	DATE	08-03-20
TITLE: DIRECT CONNECT INTERFACE 16 WAY (2 X 8) 1.5MM SEALED MALE							
SHEET OF:	999-S-016-2-Z02	SIZE	E	DO NOT SCALE DRAWING	COMPUTER AIDED DRAWING	REVISION LEVEL	C

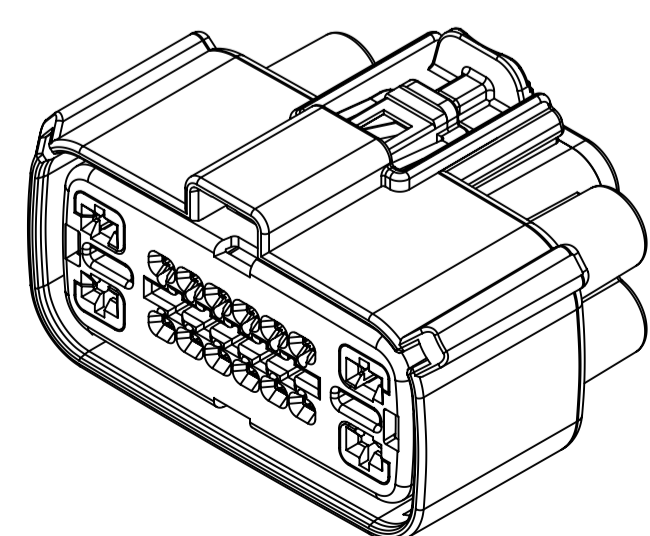
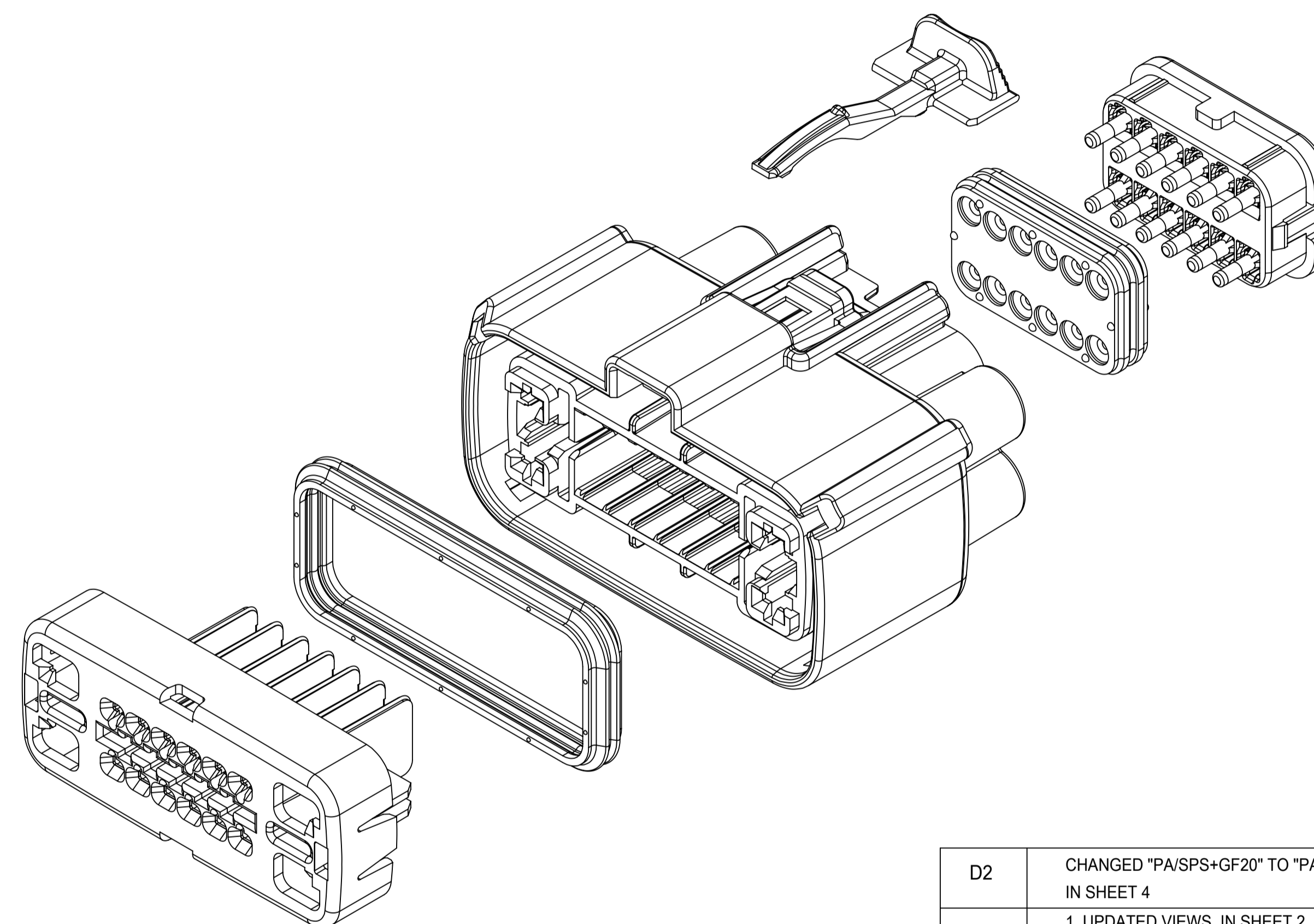
TABLE OF CONTENTS	
SHEET NO.	SHEET DESCRIPTION
1	NOTES AND BOM
2	CONFIGURATIONS
3	KEY CONFIGURATIONS
4	RECEPTACLE CONNECTOR ASSEMBLY

NOTES: VALID UNLESS OTHERWISE SPECIFIED

1. GENERAL:
- a. APPLICATION SPECIFICATION SEE: AS-33472-100
- CONTAINS: PRODUCT INTRODUCTION, PRODUCT SUMMARY, CONNECTOR ASSEMBLY, PACKAGING INFORMATION, CONNECTOR MATING, SERVICE INSTRUCTIONS, ELECTRICAL CONTINUITY CHECKING, CRIMPING, AND TROUBLESHOOTING.
  - DESIGNED TO MATE WITH DEVICE OR CONNECTOR AS SPECIFIED IN THE MATING INTERFACE/CONNECTOR DRAWINGS CHART.
  - \*DENOTES DRAWINGS THAT CAN BE ACCESSED AT <http://ewcap.uscarteams.org/>.
  - ASSEMBLY SHIPPED WITH PLR IN PRE-LOCK POSITION (SEE PLR PRE-LOCK VIEW SHEET 4).
- b. PRODUCT SPECIFICATION SEE: PS-33476-000
- CONTAINS: PRODUCT INTRODUCTION, PRODUCT SUMMARY, RATINGS (CURRENT, TEMPERATURE, SEALING, AND FLAMMABILITY), TERMINALS, WIRE DIAMETER RANGE, PRODUCT VALIDATION, AND PRODUCT DEVIATIONS.
- c. PACKAGING SPECIFICATION PER MOLEX DRAWING: SEE PACKAGING CHART
- d. PARTS MUST BE IN COMPLIANCE TO MOLEX CHEMICAL SUBSTANCES FOR PRODUCTS AND PACKAGING SPECIFICATION: QEHS-699000-300
- e. DATA MUST BE SUBMITTED UNDER THE MOLEX PART NUMBER TO IMDS (COMPANY ID#13255)
2. DESIGN - MATERIALS:
- a. SEE BOM TABLE IN SD-34985-8002
3. DESIGN - GEOMETRY:
- a. THE 3-D CAD DATA IS BASIC (WITHOUT TOLERANCE) AND MASTER FOR THIS PART WITH THE EXCEPTION OF UNDERLINED DIMENSIONS. DIMENSIONAL INFORMATION NOT SHOWN ON THIS DRAWING IS DEFINED BY THE DATA FILE AT ITS LATEST REVISION.
- b. GEOMETRIC DIMENSIONS AND TOLERANCES PER ASME Y14.5M-2009
- c. EDGES AND UNDIMENSIONED DETAILS PER ISO13715
- d. CORNERS SHOWN AS SHARP TO BE R 0.2 MAX.
- e. LETTERING SHALL BE 0.15 MAX RAISED IN 0.25 MAX RECESS PAD. THIS INCLUDES RECYCLING CODE, CAVITY ID, VENDOR IDENTIFICATION, AND CUSTOMER MATERIAL NUMBER.
- f. VISUAL DEFECTS SHALL MEET COSMETIC STANDARD PS-45499-002 (Class B).
- g. LASER MARKING:
1. PART NUMBER
  2. DAY OF THE YEAR
  3. SHIFT
  4. YEAR
- FOR ADDITIONAL INFORMATION SEE SECTION 5 UNDER PROCEDURES IN ES-34735-008.

PACKAGING	
DESCRIPTION	DRAWING NO.
W/ CLIPSLOT	PK-30907-895
W/O CLIPSLOT	PK-31300-094

MATING INTERFACE/CONNECTOR DRAWINGS		
DESCRIPTION	INTERFACE DEFINITION	MOLEX INLINE
W/O SHORTING BAR	*999-S-016-2-Z02	SD-34986-8001
W/ SHORTING BAR	N/A	SD-34986-8001



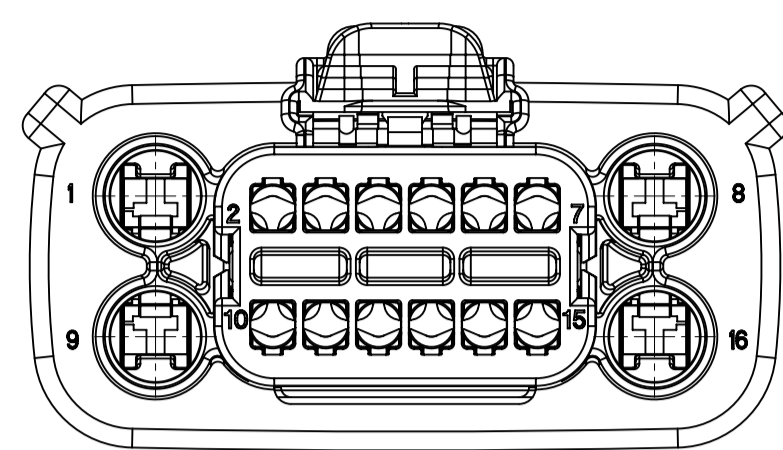
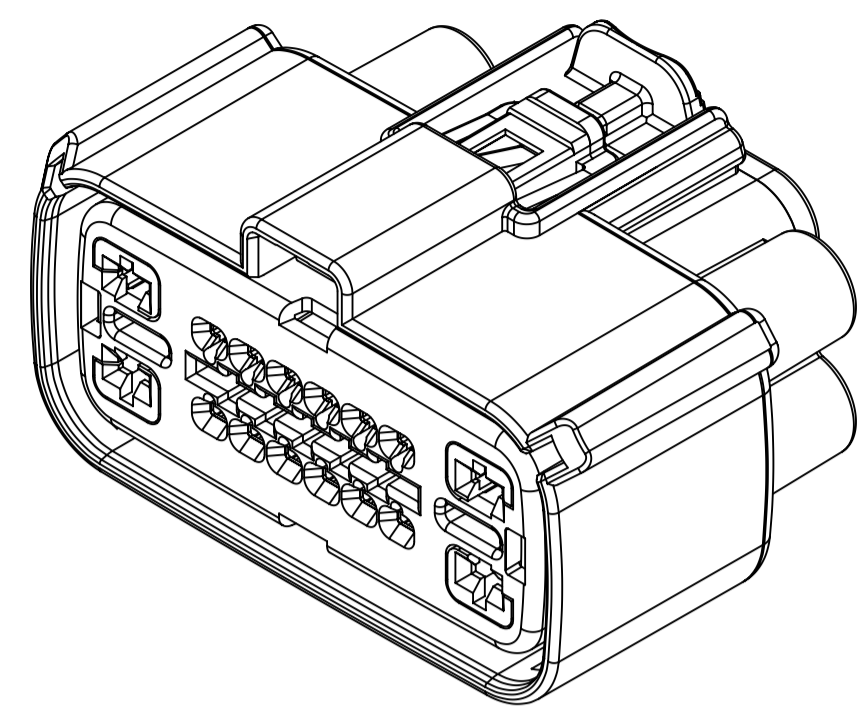
INSPECTION NUMBER LOG	
REV	DESCRIPTION
A1	FIXED TYPO IN NOTE 1a
A	INITIAL RELEASE
REV	REV DESCRIPTION

D2	CHANGED "PA/SPS+GF20" TO "PA/SPS-GF20" IN SHEET 4
D1	1. UPDATED VIEWS IN SHEET 2 2. CHANGED DIM 10.98 TO 11.00, 6.61 TO 6.60, 15.00+/-0.10 TO 15.00+0.30/-0.20 IN SHEET 4
D	REMOVED BOM (REFER TO SD-34985-8002)
C	NEW P/N 34985-4026 THRU 4028
B	NEW P/N 34985-4023 THRU 4025
A2	UPDATED PACKAGING DWGS

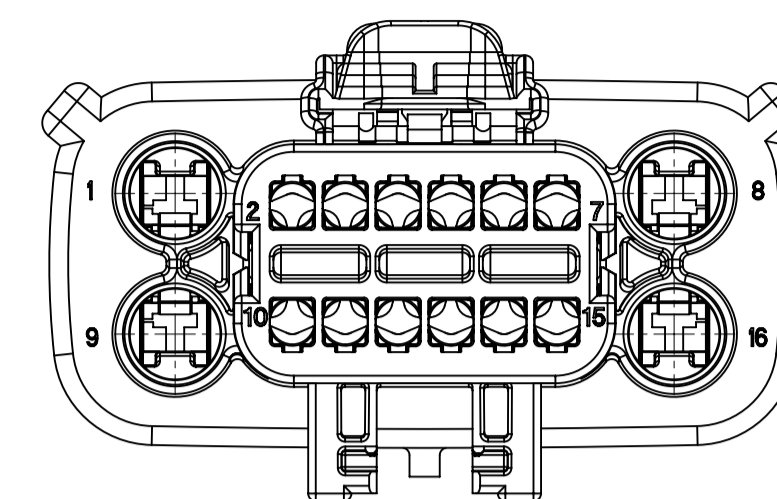
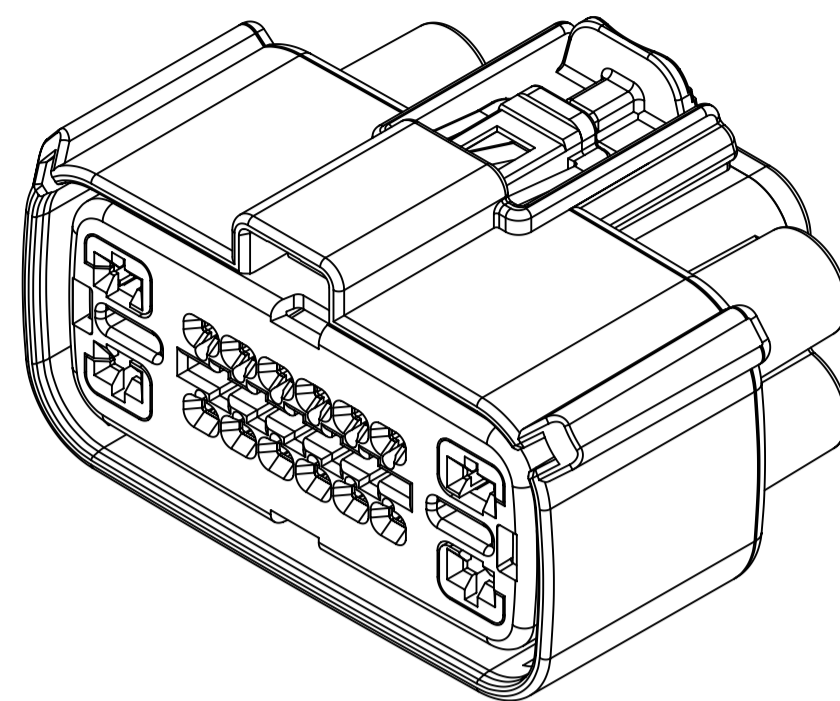
SYMBOLS	THIS DRAWING CONTAINS INFORMATION THAT IS PROPRIETARY TO MOLEX ELECTRONIC TECHNOLOGIES, LLC AND SHOULD NOT BE USED WITHOUT WRITTEN PERMISSION	CURRENT REV DESC:	molex		
▽ = 0	DIMENSION UNITS: mm	SCALE: 1.5:1	MX150 16 WAY HYBRID RECP T SEALED ASSEMBLY		
▽ = 0	GENERAL TOLERANCES (UNLESS SPECIFIED)	EC NO: 619601			
▽ = 0	ANGULAR TOL ± 3.0°	DRWN: HKLIANG 2019/07/25	PRODUCT CUSTOMER DRAWING		
▽ = 0	4 PLACES ±	CHK'D: MVANSLAMBROU 2019/08/02			
▽ = 0	3 PLACES ±	APPR: MVANSLAMBROU 2019/08/02	DOCUMENT NUMBER: SD-34985-8001		
▽ = 0	2 PLACES ± 0.1	INITIAL REVISION:			
▽ = 0	1 PLACE ± 0.3	DRWN: TYE 2014/09/12	DOC TYPE: PSD		
▽ = 0	0 PLACES ±	APPR: VKOSHY 2014/09/22			
▽ = 0	DRAFT WHERE APPLICABLE MUST REMAIN WITHIN DIMENSIONS	THIRD ANGLE PROJECTION	SHEET NUMBER: 1 OF 4		
▽ = 0		DRAWING: A1-SIZE			
		SERIES: 34985	CUSTOMER: GENERAL MARKET		

# SHEET DESCRIPTION

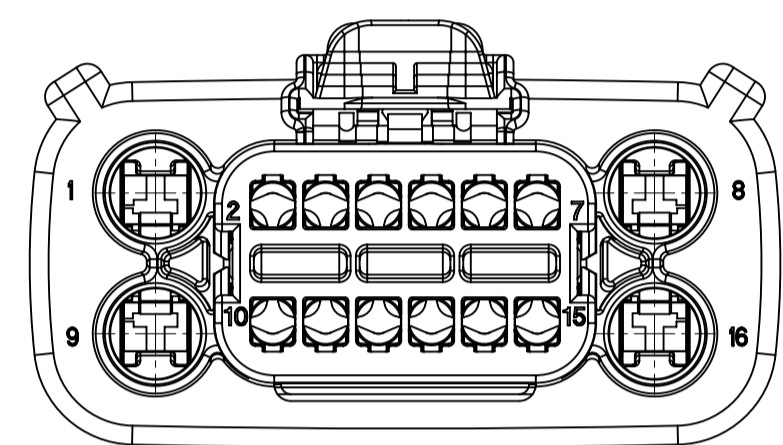
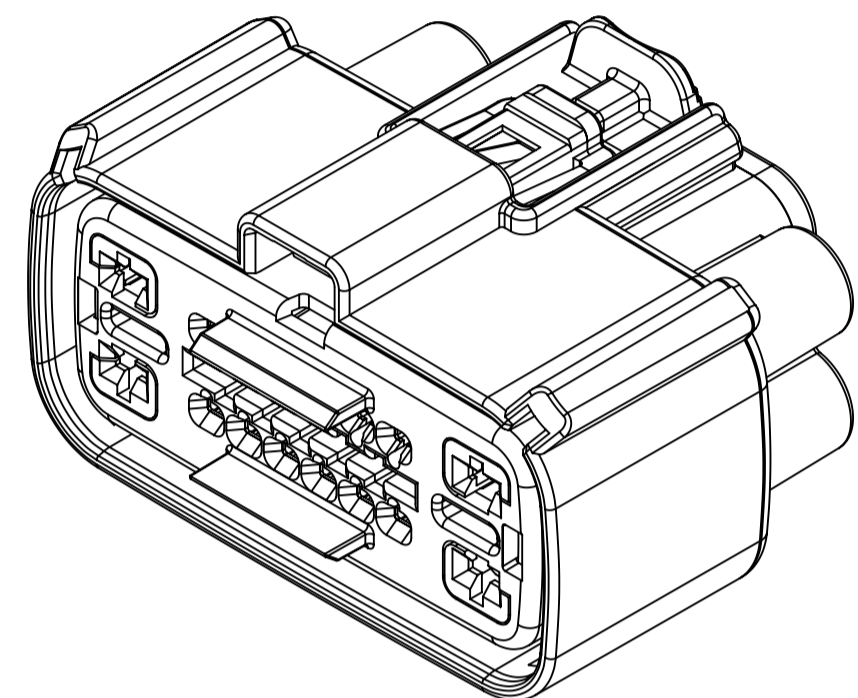
## CONFIGURATIONS



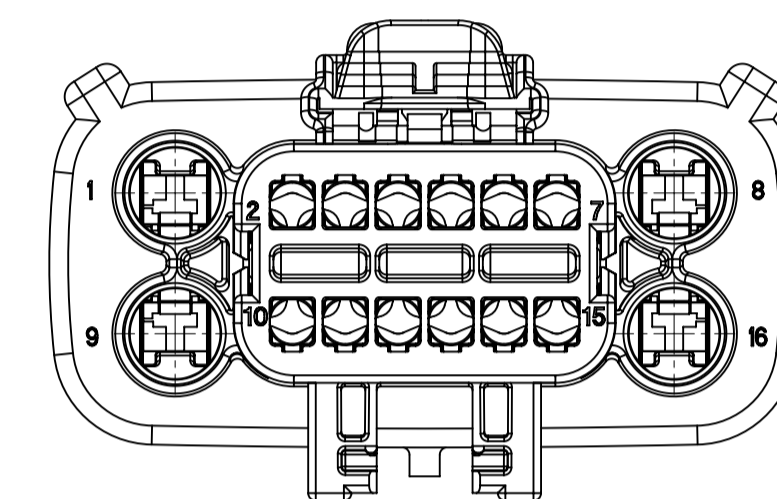
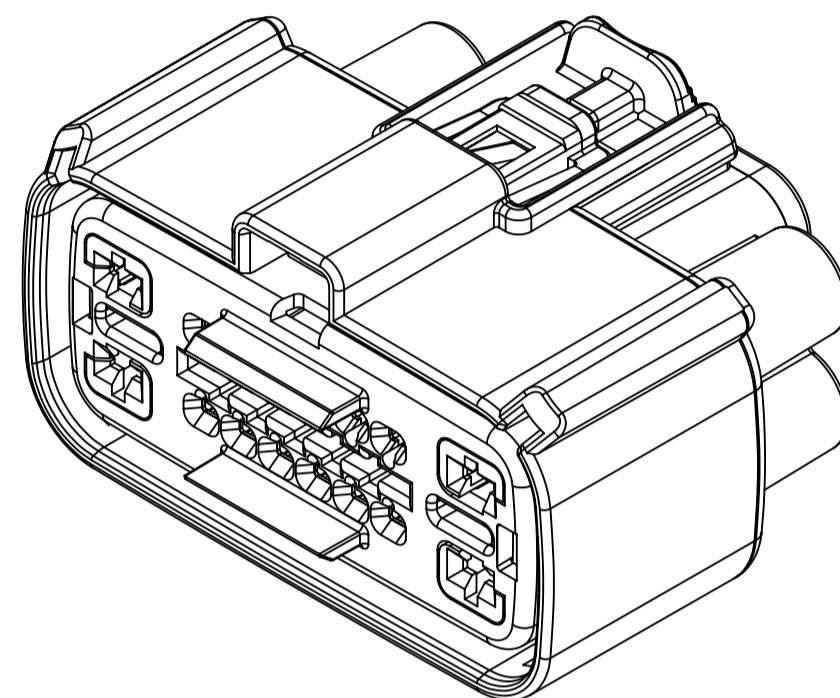
STANDARD (STD) - ALL OPEN 2.8mm CAVITIES




STANDARD (STD) - ALL OPEN 2.8mm CAVITIES WITH CLIPSLOT



SHORTING (SHRT) BAR - ALL OPEN 2.8mm CAVITIES

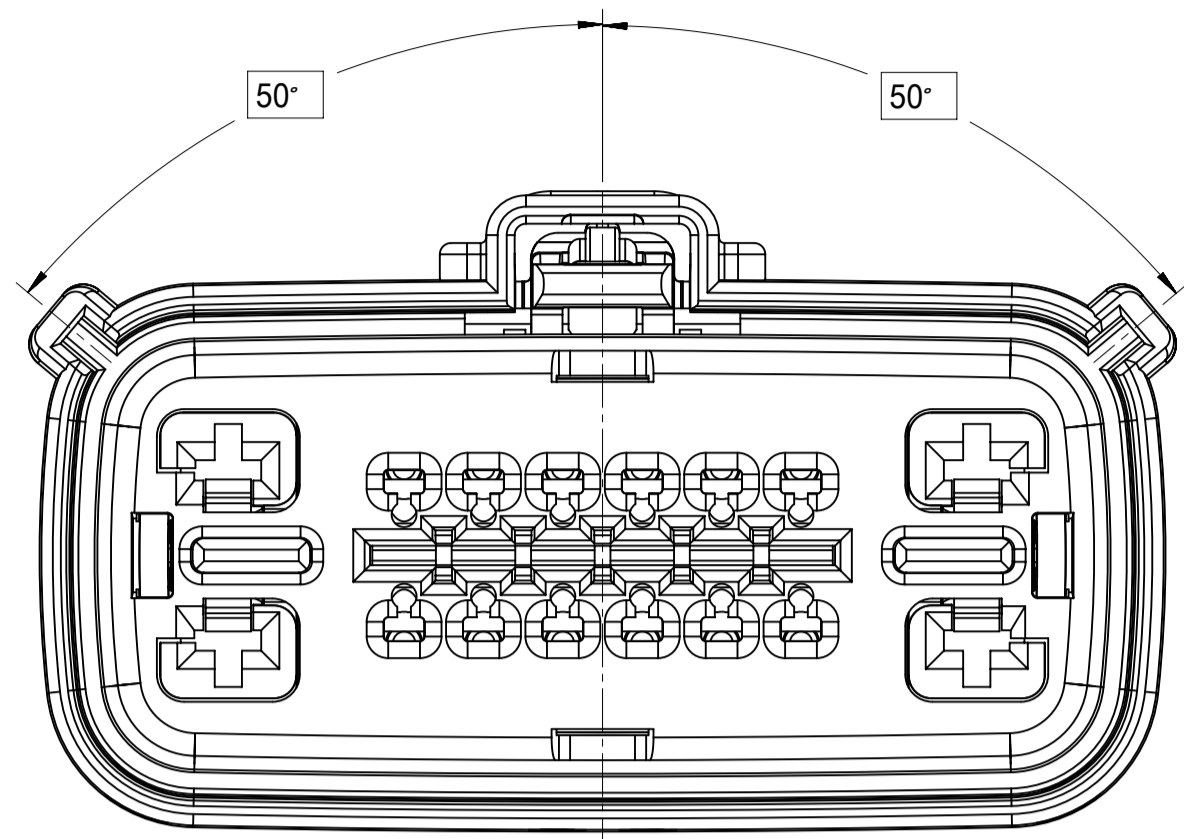


SHORTING (SHRT) BAR - ALL OPEN 2.8mm CAVITIES WITH CLIPSLOT

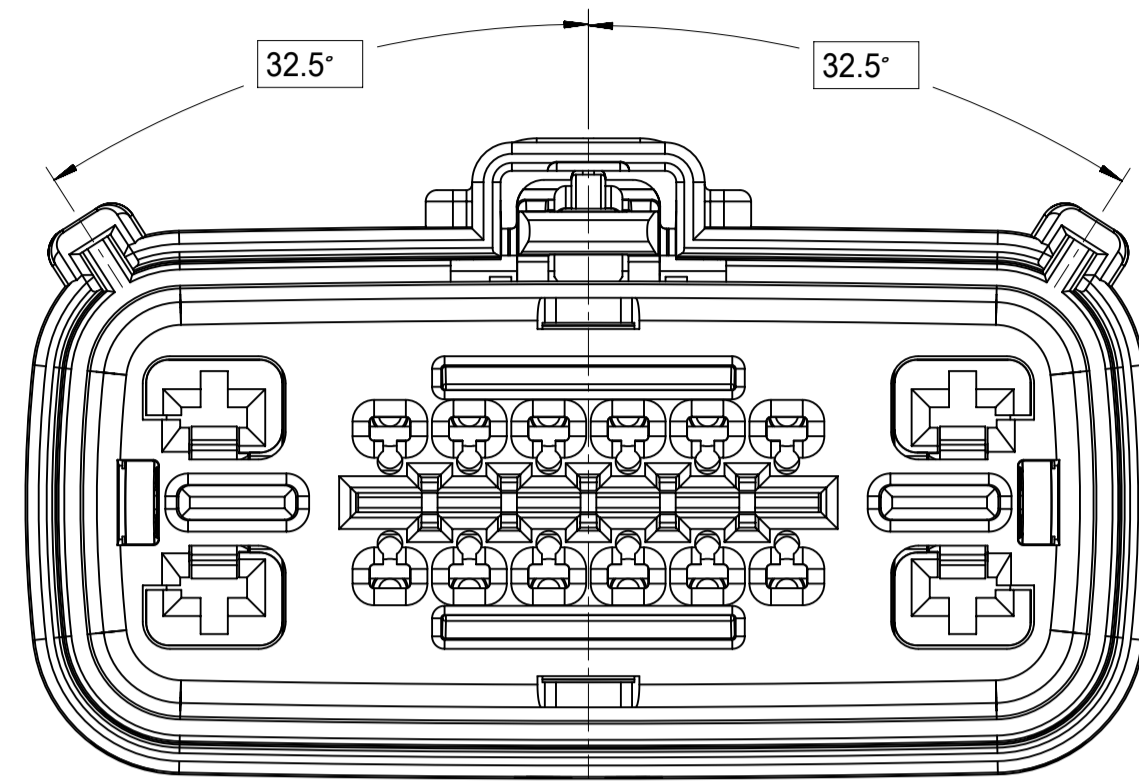
SYMBOLS		THIS DRAWING CONTAINS INFORMATION THAT IS PROPRIETARY TO MOLEX ELECTRONIC TECHNOLOGIES, LLC AND SHOULD NOT BE USED WITHOUT WRITTEN PERMISSION		CURRENT REV DESC:		 MX150 16 WAY HYBRID RECPT SEALED ASSEMBLY	
	DIMENSION UNITS	SCALE					
	= 0	mm	2:1	EC NO: 619601			
	= 0	GENERAL TOLERANCES (UNLESS SPECIFIED)		DRWN: HKLIANG 2019/07/25			
	= 0	ANGULAR TOL ± 3.0°		CHK'D: MVANSLAMBROU 2019/08/02			
	= 0	4 PLACES	±	APPR: MVANSLAMBROU 2019/08/02			
	= 0	3 PLACES	±	INITIAL REVISION:			
	= 0	2 PLACES	± 0.1	DRWN: TYE 2014/09/12		DOCUMENT NUMBER	
	= 0	1 PLACE	± 0.3	APPR: VKOSHY 2014/09/22		SD-34985-8001	
	= 0	0 PLACES	±	THIRD ANGLE PROJECTION		DOC TYPE   DOC PART   REVISION	
	= 0	DRAFT WHERE APPLICABLE MUST REMAIN WITHIN DIMENSIONS		DRAWING		PSD 001 D2	
	= 0			SERIES		MATERIAL NUMBER	
				A1-SIZE		CUSTOMER	
				34985		GENERAL MARKET	
						SHEET NUMBER	
						2 OF 4	

# SHEET DESCRIPTION

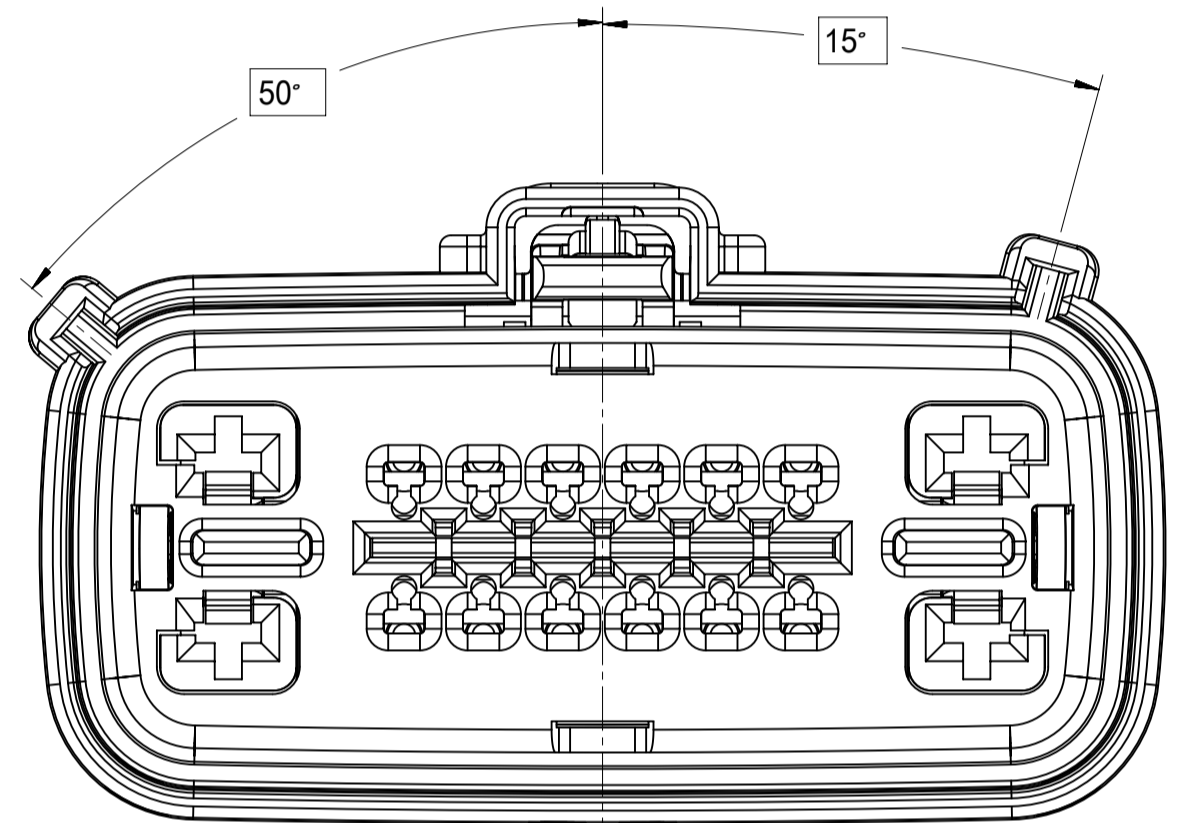
## KEY CONFIGURATIONS



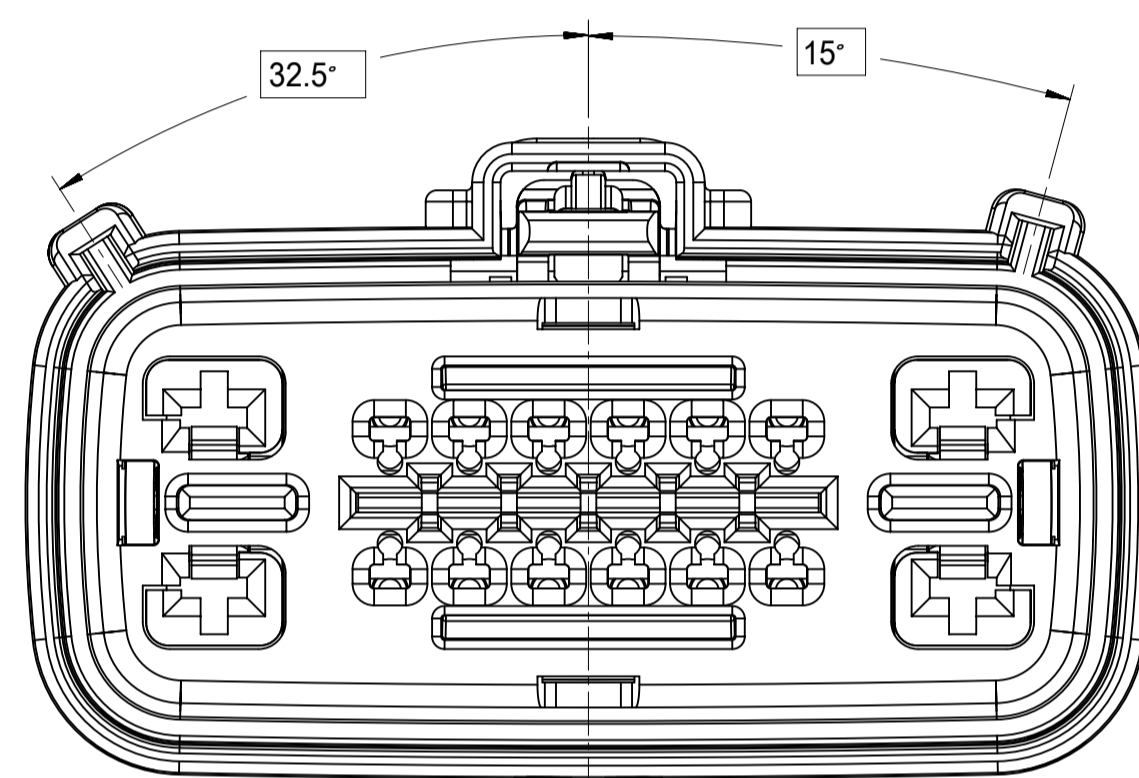
KEY A



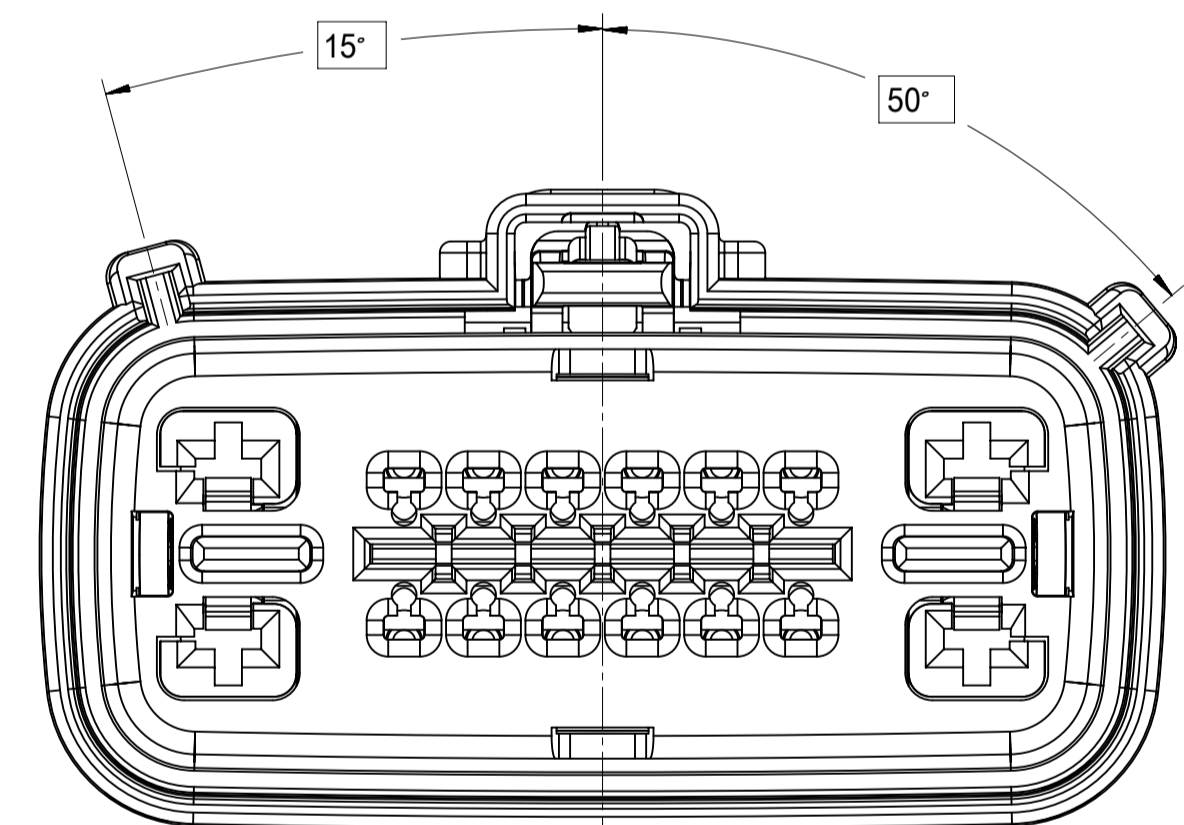
KEY E



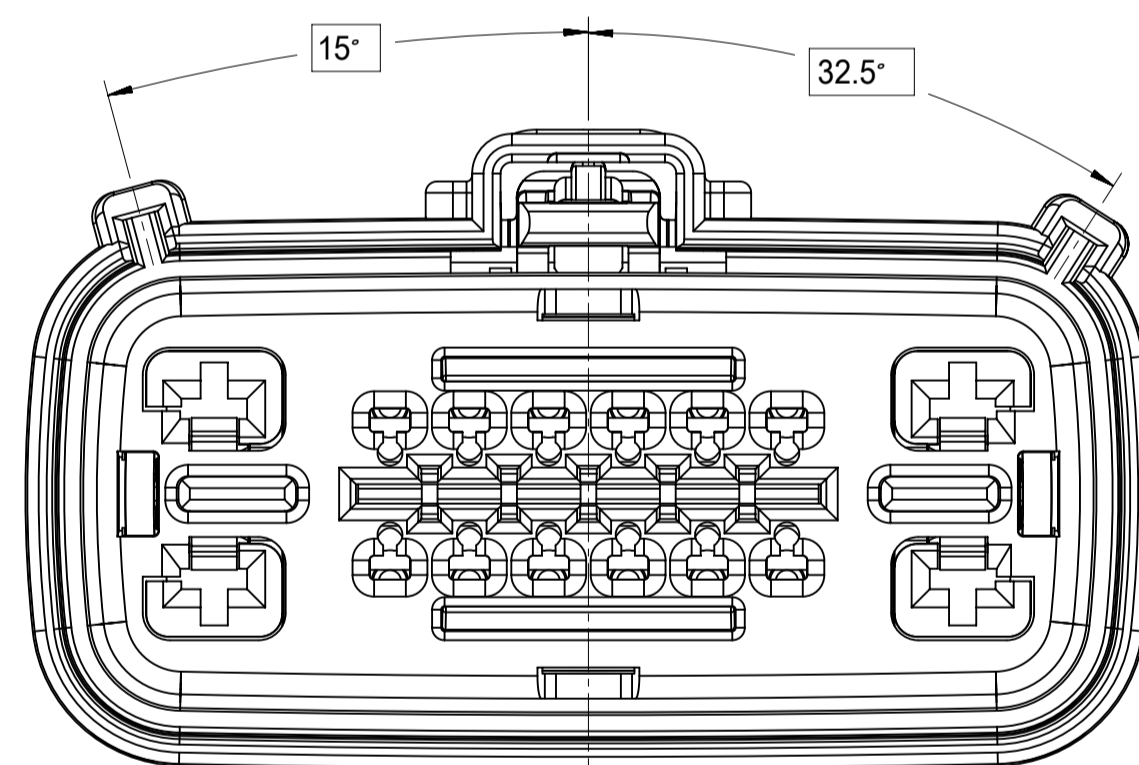
KEY B



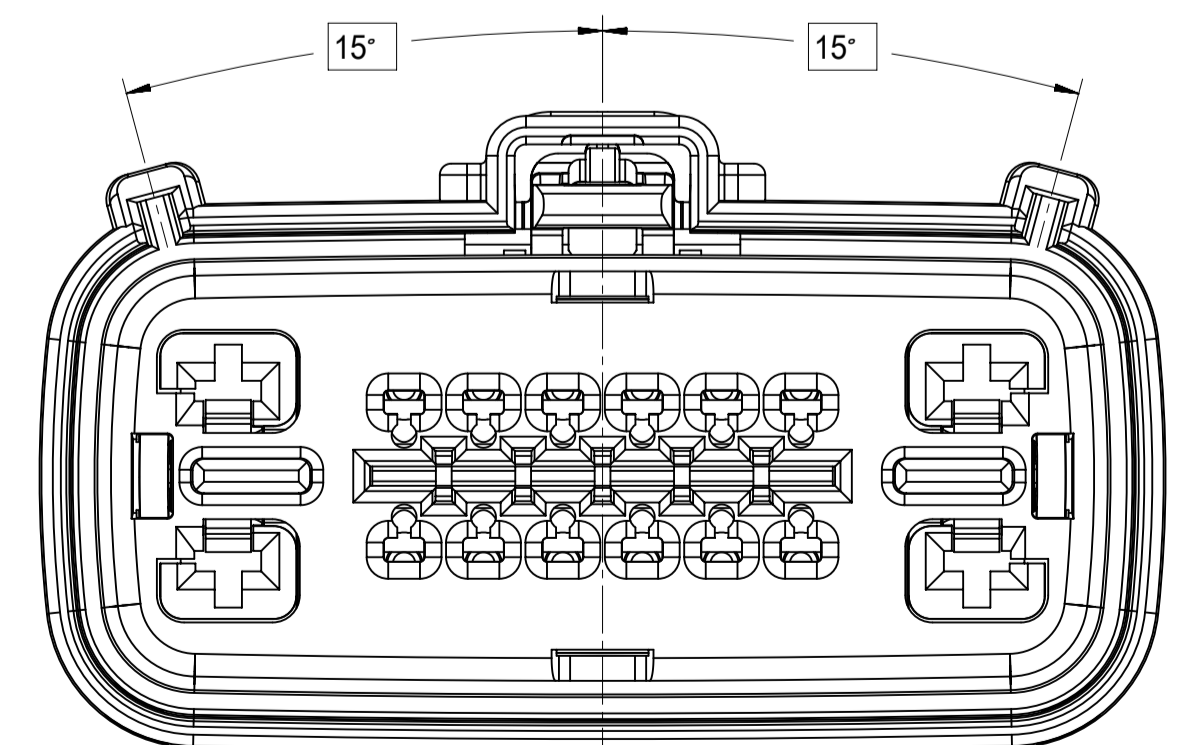
KEY F



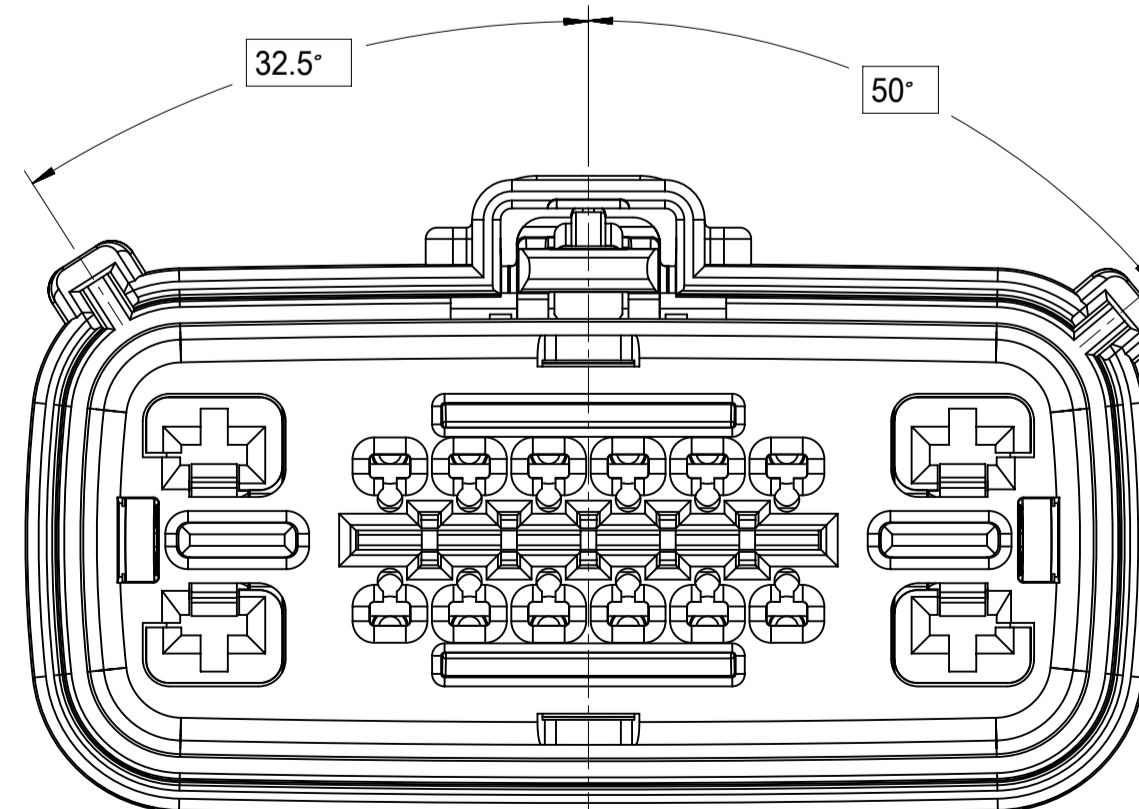
KEY C



KEY G



KEY D

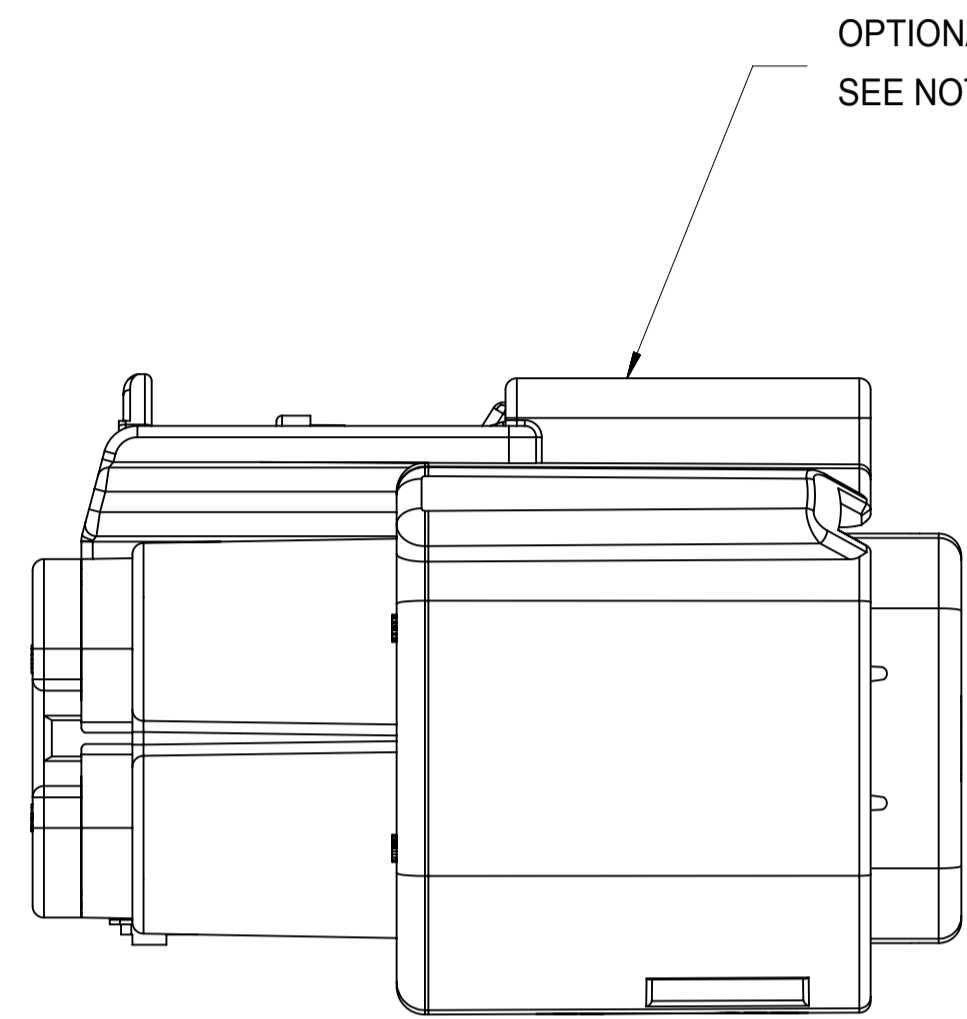


KEY H

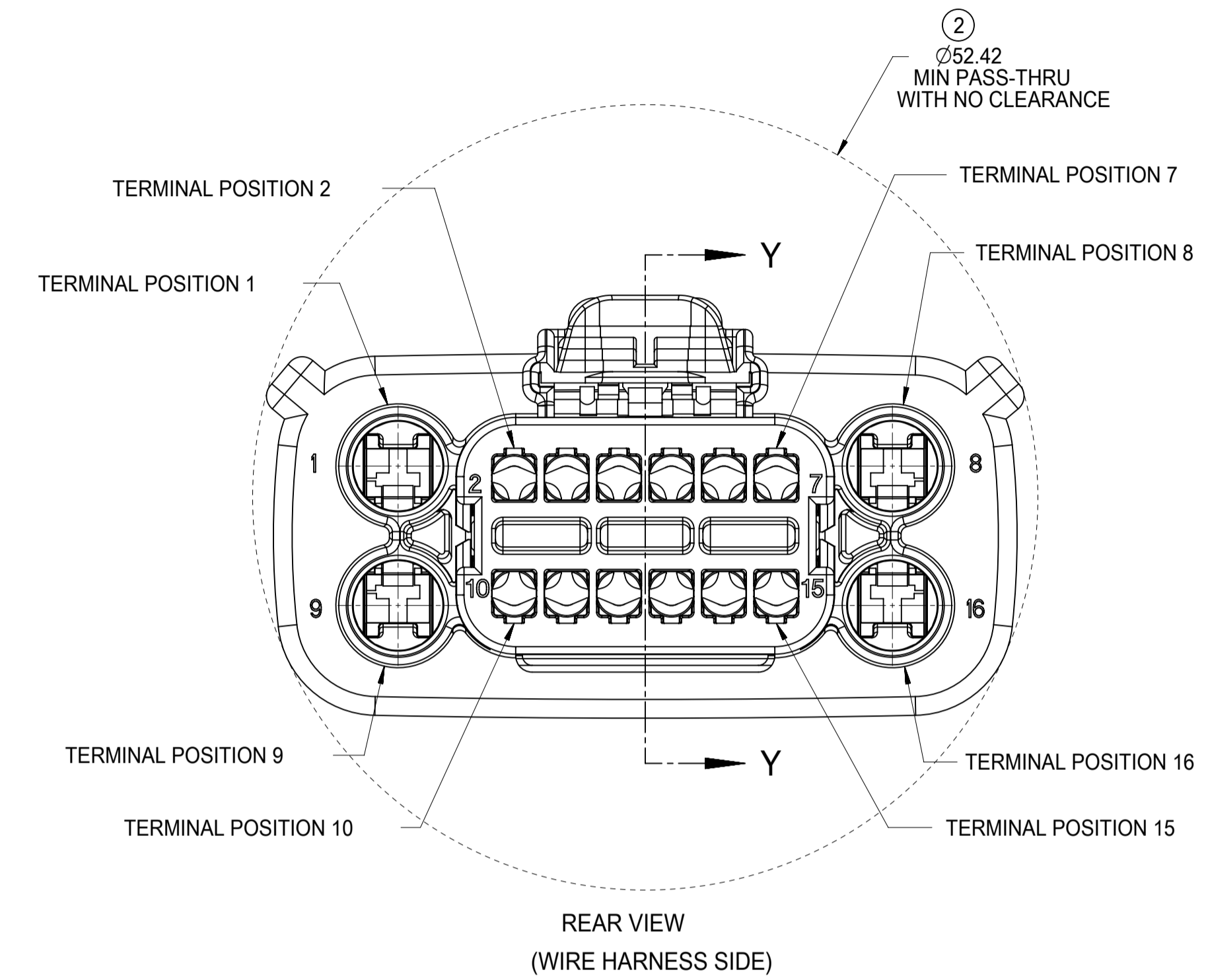
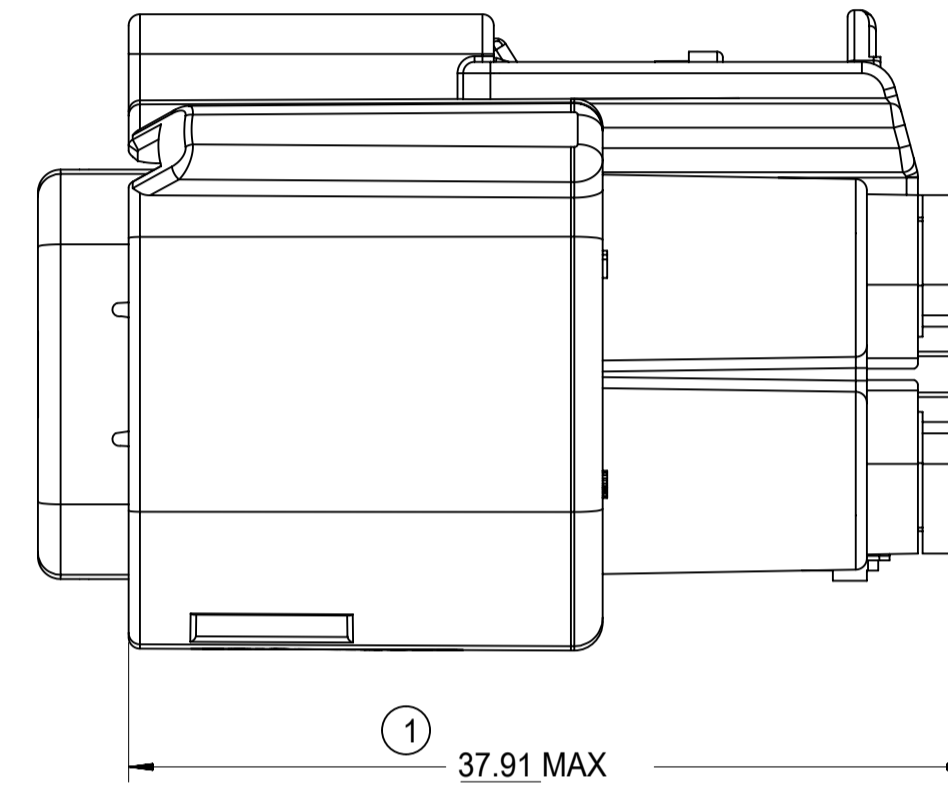
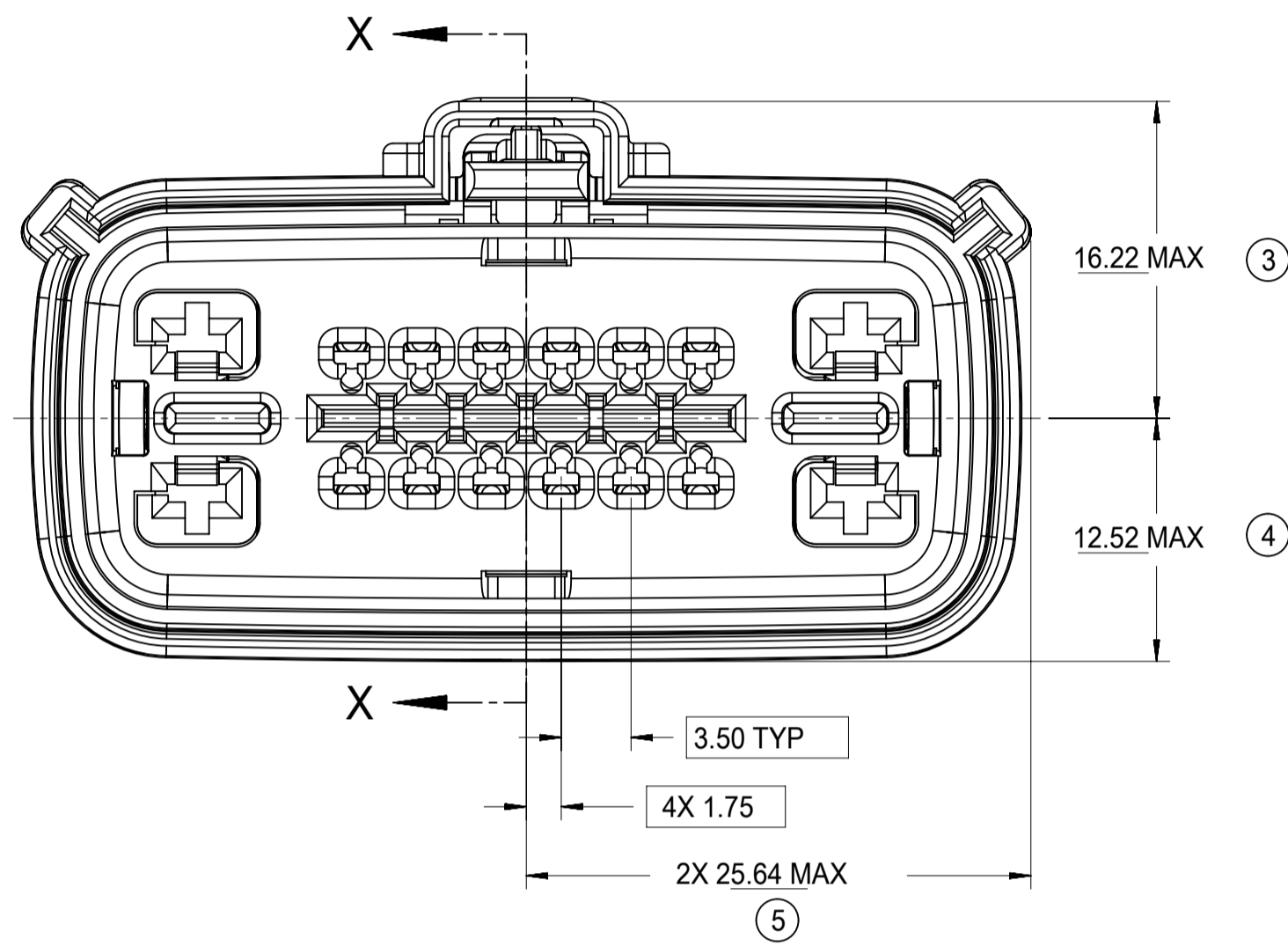
<b>SYMBOLS</b> = 0 = 0 = 0 = 0 = 0 = 0 = 0 = 0 = 0 = 0 = 0 = 0	THIS DRAWING CONTAINS INFORMATION THAT IS PROPRIETARY TO MOLEX ELECTRONIC TECHNOLOGIES, LLC AND SHOULD NOT BE USED WITHOUT WRITTEN PERMISSION		CURRENT REV DESC:			
	DIMENSION UNITS	SCALE	EC NO: 619601			DOCUMENT NUMBER
	mm	3:1	DRWN: HKLIANG 2019/07/25			DOC TYPE   DOC PART   REVISION
	GENERAL TOLERANCES (UNLESS SPECIFIED)		CHK'D: MVANSLAMBROU 2019/08/02			SD-34985-8001   PSD   001   D2
ANGULAR TOL ± 3.0°		APPR: MVANSLAMBROU 2019/08/02		PRODUCT CUSTOMER DRAWING		
4 PLACES ±		INITIAL REVISION:		MATERIAL NUMBER		
3 PLACES ±		DRWN: TYE 2014/09/12		CUSTOMER		
2 PLACES ± 0.1		APPR: VKOSHY 2014/09/22		GENERAL MARKET		
1 PLACE ± 0.3		THIRD ANGLE PROJECTION		SHEET NUMBER		
0 PLACES ±		DRAWING		3 OF 4		
DRAFT WHERE APPLICABLE MUST REMAIN WITHIN DIMENSIONS		SERIES				
		A1-SIZE				
		34985				

# SHEET DESCRIPTION

RECEPTACLE CONNECTOR ASSEMBLY



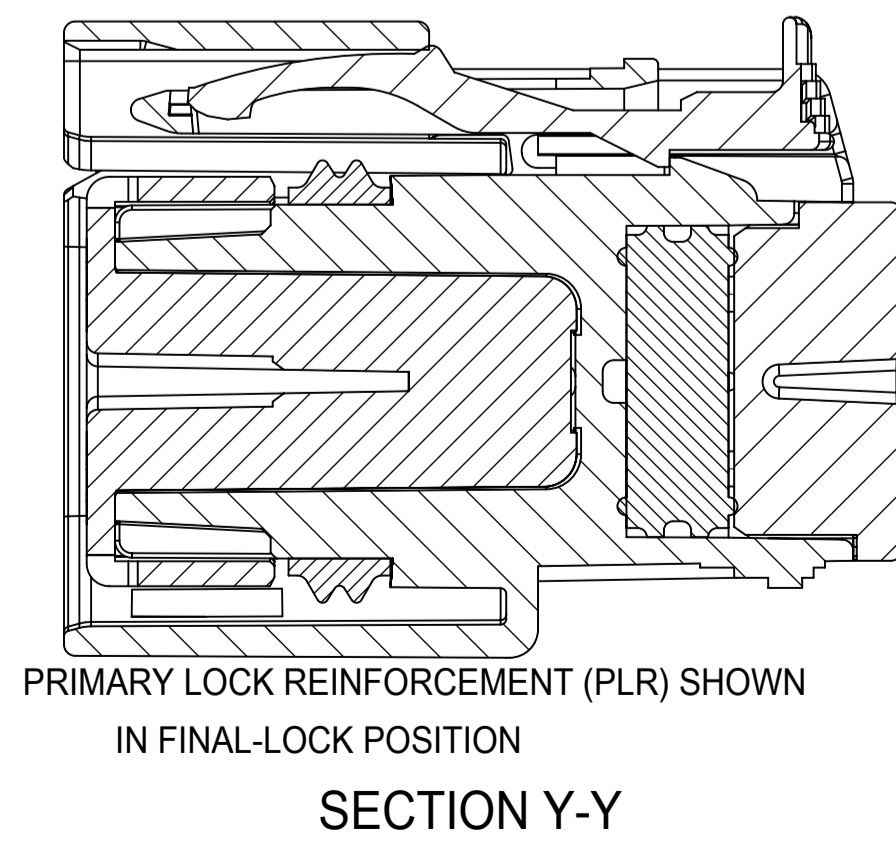
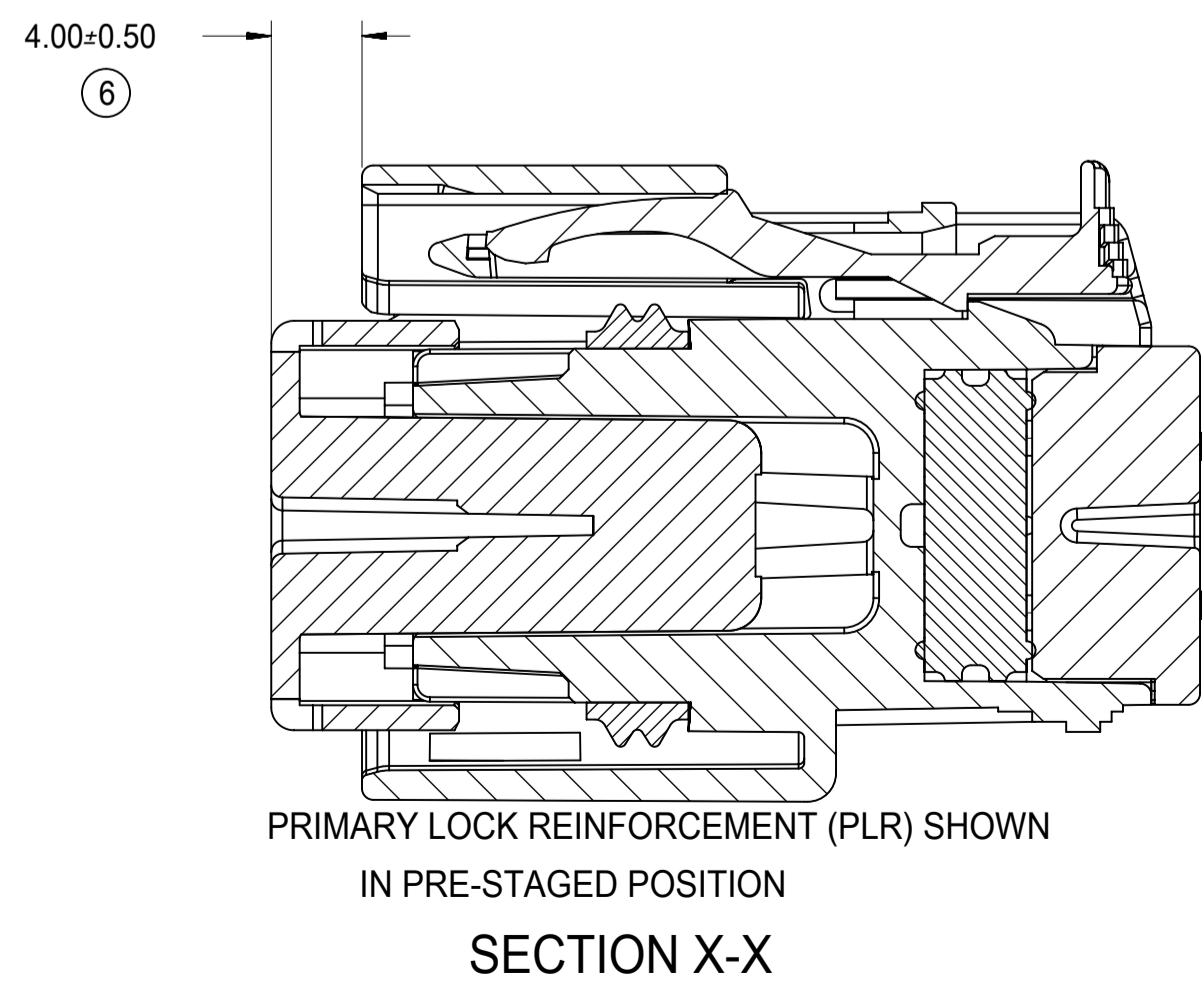
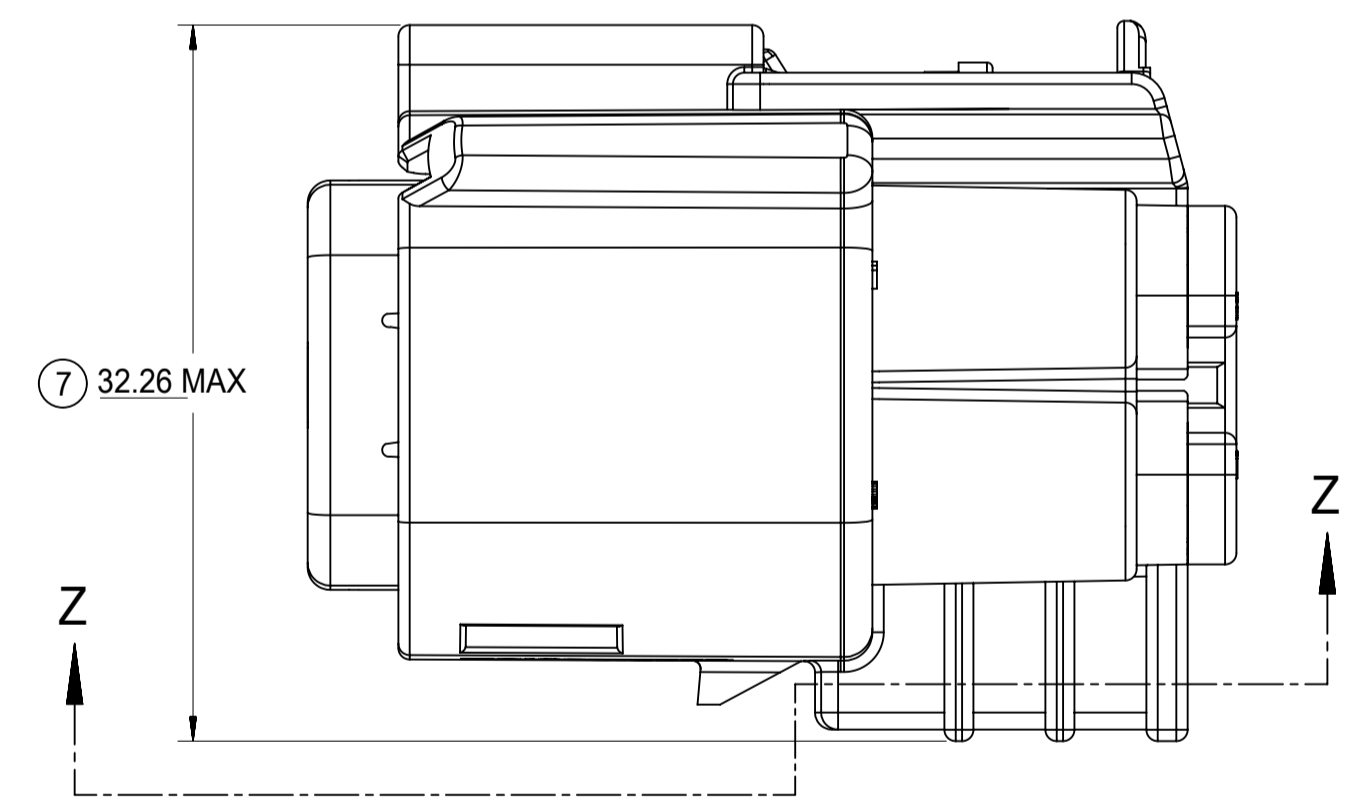
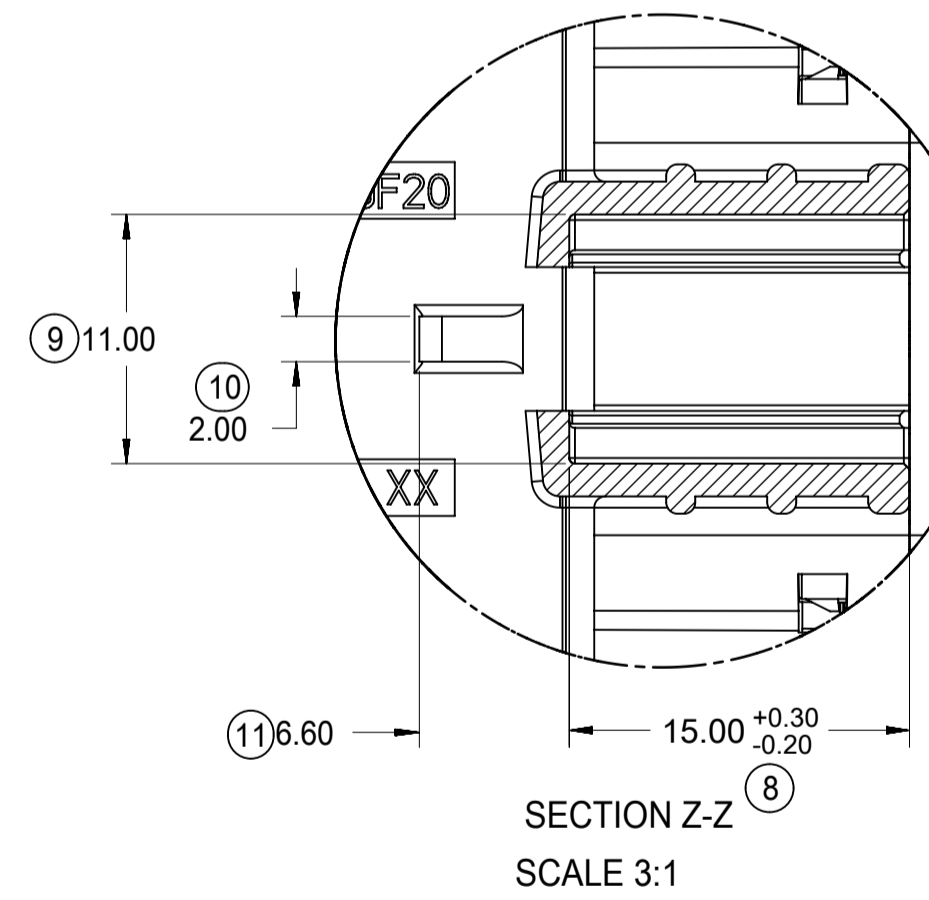
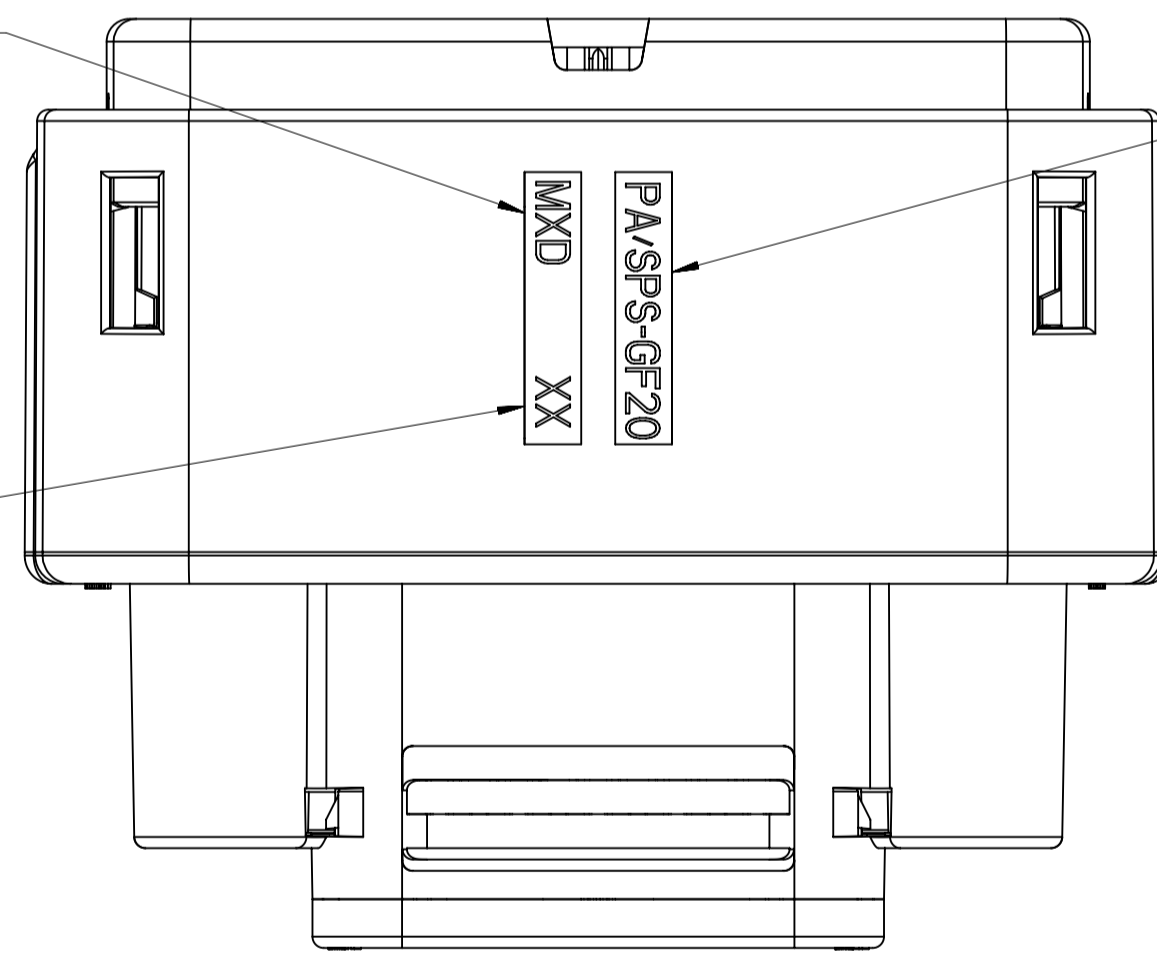
OPTIONAL LASER MARKING ON THIS SURFACE  
SEE NOTE 3g.



MANUFACTURING LOCATION  
CODE THIS LOCATION

RECYCLE CODE  
THIS LOCATION

MOLD CAVITY I.D.  
THIS LOCATION



SYMBOLS		THIS DRAWING CONTAINS INFORMATION THAT IS PROPRIETARY TO MOLEX ELECTRONIC TECHNOLOGIES, LLC AND SHOULD NOT BE USED WITHOUT WRITTEN PERMISSION		CURRENT REV DESC:		molex	
▽ = 0	mm	SCALE	3:1	EC NO: 619601		MX150 16 WAY HYBRID RECPT SEALED ASSEMBLY	
▽ = 0	GENERAL TOLERANCES (UNLESS SPECIFIED)			DRWN: HKLIANG	2019/07/25	PRODUCT CUSTOMER DRAWING	
▽ = 0	ANGULAR TOL ± 3.0°			CHK'D: MVANSLAMBROU	2019/08/02	DOCUMENT NUMBER	
▽ = 0	4 PLACES	±		APPR: MVANSLAMBROU	2019/08/02	DOC TYPE   DOC PART   REVISION	
▽ = 0	3 PLACES	±		INITIAL REVISION:		SD-34985-8001	
▽ = 0	2 PLACES	± 0.1		DRWN: TYE	2014/09/12	PSD	001
▽ = 0	1 PLACE	± 0.3		APPR: VKOSHY	2014/09/22	D2	
▽ = 0	0 PLACES	±		DRAFT WHERE APPLICABLE MUST REMAIN WITHIN DIMENSIONS		MATERIAL NUMBER	CUSTOMER
▽ = 0	THIRD ANGLE PROJECTION		DRAWING	SERIES	GENERAL MARKET		SHEET NUMBER
▽ = 0	A1-SIZE		34985	4 OF 4			



Table with columns for Japanese characters, phonetic notations (e.g., /ha thb9b=), and kana/romaji representations. It lists various characters like 'あ', 'い', 'う', 'え', 'お', 'か', 'き', 'く', 'け', 'こ', etc., along with their different pronunciations and corresponding symbols.







Table with columns for phonetic symbols, kana characters, and romanized characters. It includes a header section with 'h/ha thb9b=' and 'h/Y95 #9va lb! [ {', and a main body of rows for various phonetic combinations like 'Y9D! h[DI = Dw D# #h /t!'.









Table with multiple columns: /ha thb9b=, /h/Y95 =9wa lb! {{, /! ' lE9{ ht 9b, /! ' lE9{ ht 9b, /ha a 9b=, ht mhb! [! m /I a 9b= {h{5 {9t 9w =9D, .! /Y{I 9[ ° lE vl {, .! /Y{I 9[ ° lE h- = wL {