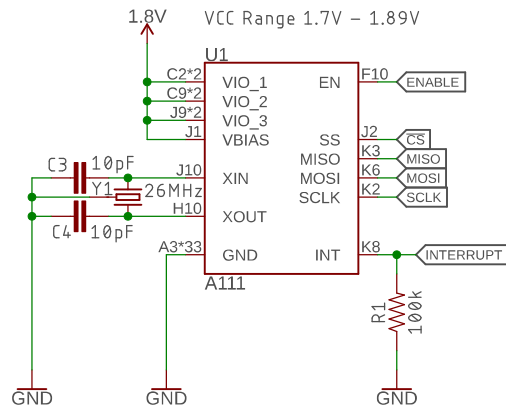
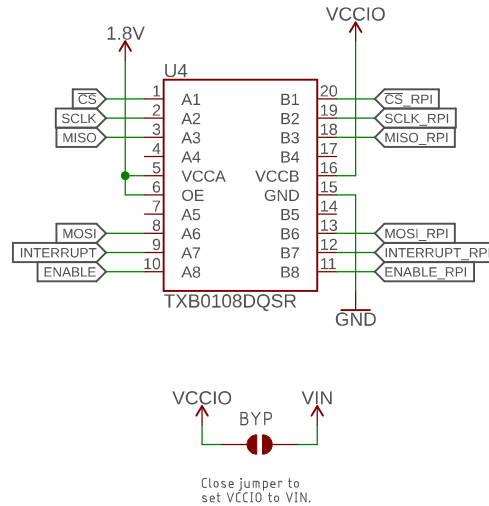


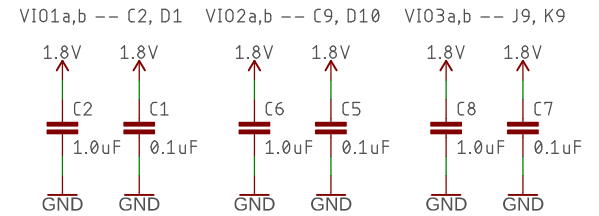
Pulsed Radar – A111



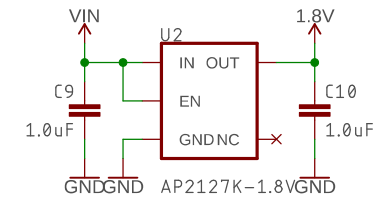
Logic Level Translator



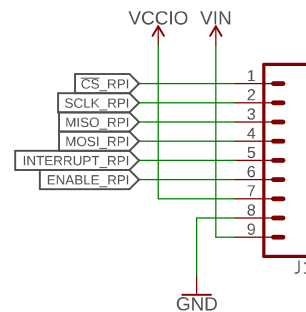
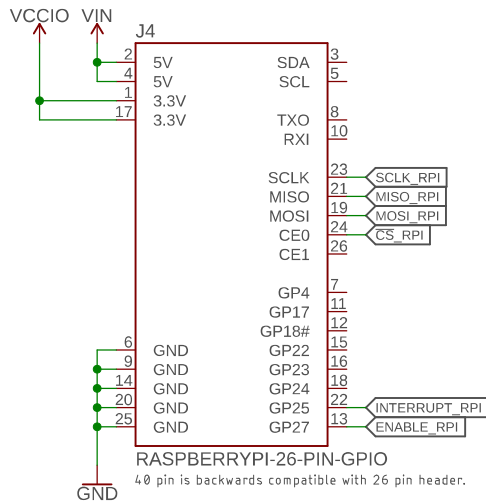
Decoupling Capacitors



Voltage Regulator



Raspberry Pi and 8-Pin Header



sparkfun

open hardware

Released under the Creative Commons Attribution Share-Alike 4.0 License
<https://creativecommons.org/licenses/by-sa/4.0/>

TITLE: A111_Pulsed_Radar_Breakout

Design by: Jim Lindblom
 Revised By: Elias Santistevan

REV:
v11

Date: 10/11/2021 12:21 PM

Sheet: 1/1