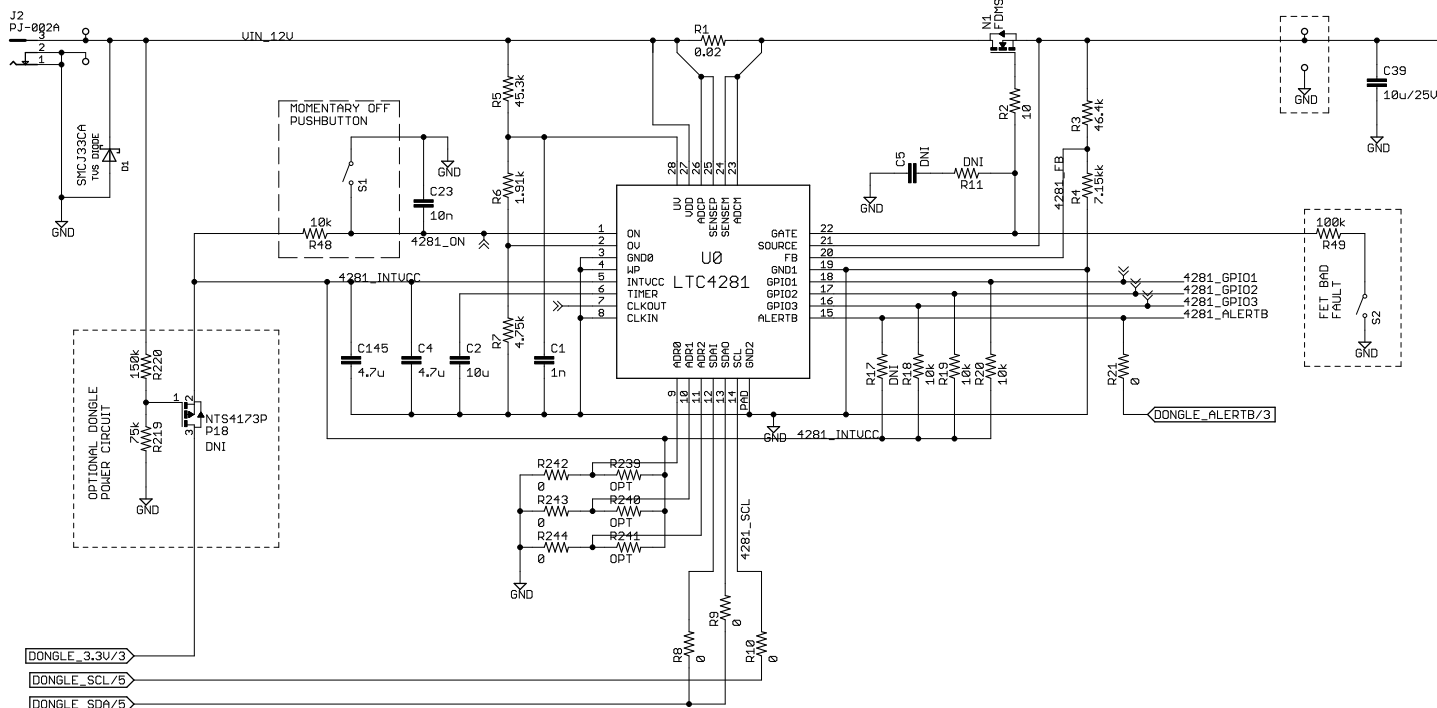
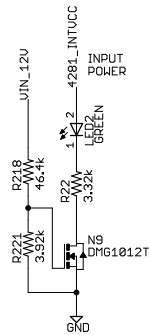
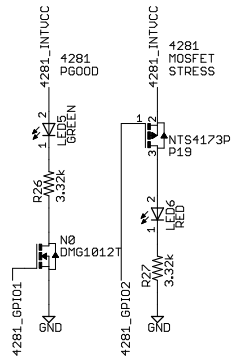


REVISION HISTORY			
ECO	REV	DESCRIPTION	DATE
-	-	-	-



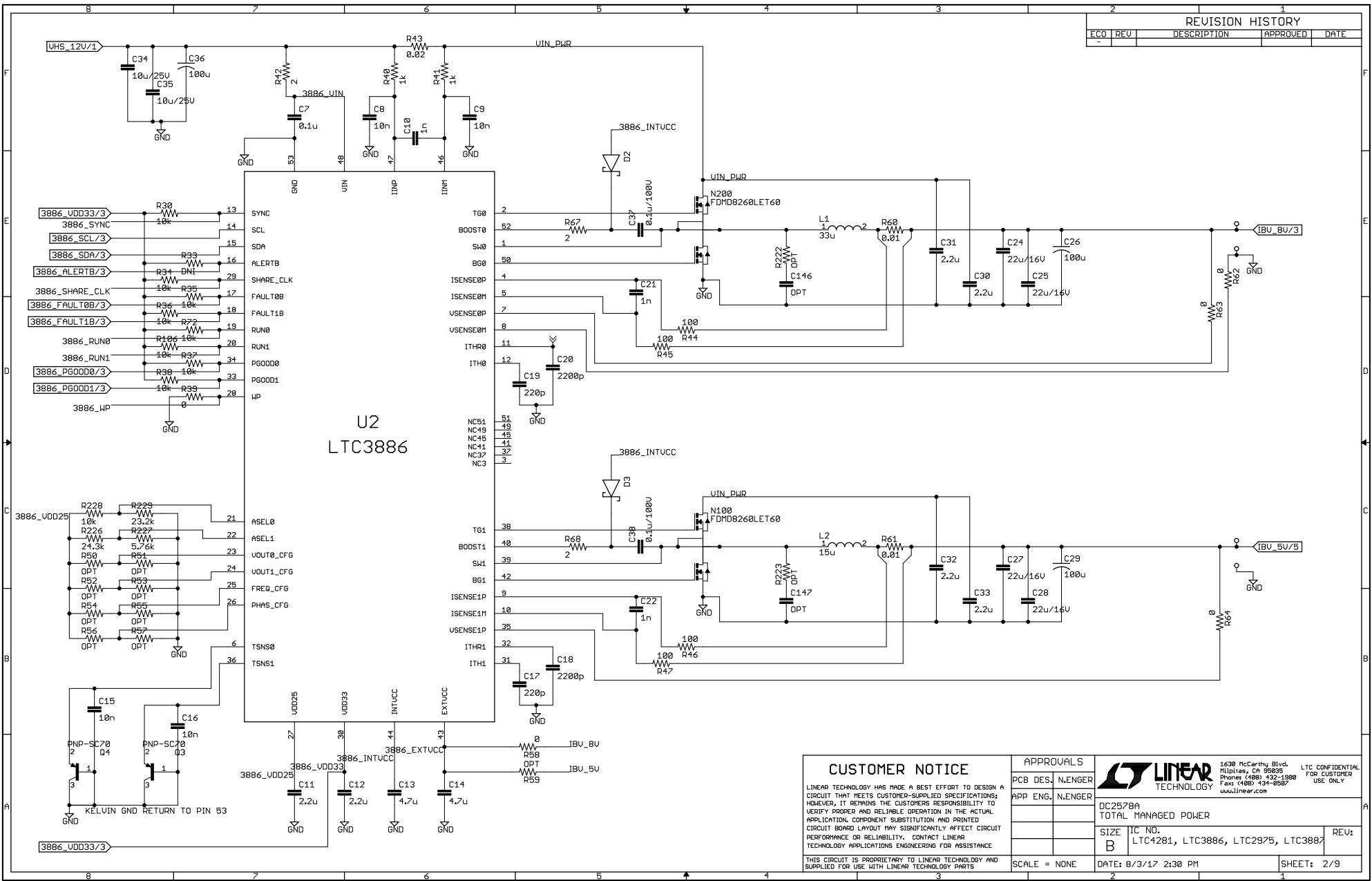
DONGLE\_3.3U/3  
DONGLE\_SCL/5  
DONGLE\_SDA/5



**CUSTOMER NOTICE**  
LINEAR TECHNOLOGY HAS MADE A BEST EFFORT TO DESIGN A CIRCUIT THAT MEETS CUSTOMER-SUPPLIED SPECIFICATIONS; HOWEVER, IT REMAINS THE CUSTOMER'S RESPONSIBILITY TO VERIFY PROPER AND RELIABLE OPERATION IN THE ACTUAL APPLICATION. COMPONENT SUBSTITUTION AND PRINTED CIRCUIT BOARD LAYOUT MAY SIGNIFICANTLY AFFECT CIRCUIT PERFORMANCE OR RELIABILITY. CONTACT LINEAR TECHNOLOGY APPLICATIONS ENGINEERING FOR ASSISTANCE.  
THIS CIRCUIT IS PROPRIETARY TO LINEAR TECHNOLOGY AND SUPPLIED FOR USE WITH LINEAR TECHNOLOGY PARTS

APPROVALS			1630 McCarthy Blvd. Milpitas, CA 95035 Phone (408) 432-1900 Fax (408) 434-9967 www.linear.com	LTC CONFIDENTIAL FOR CUSTOMER USE ONLY
PCB DES.	N.ENER			
APP ENG.	N.ENER	DC2578A	TOTAL MANAGED POWER	REV:
		SIZE B	IC NO. LTC4281, LTC3886, LTC2975, LTC3887	
SCALE = NONE	DATE: 8/3/17 2:30 PM			SHEET: 1/9

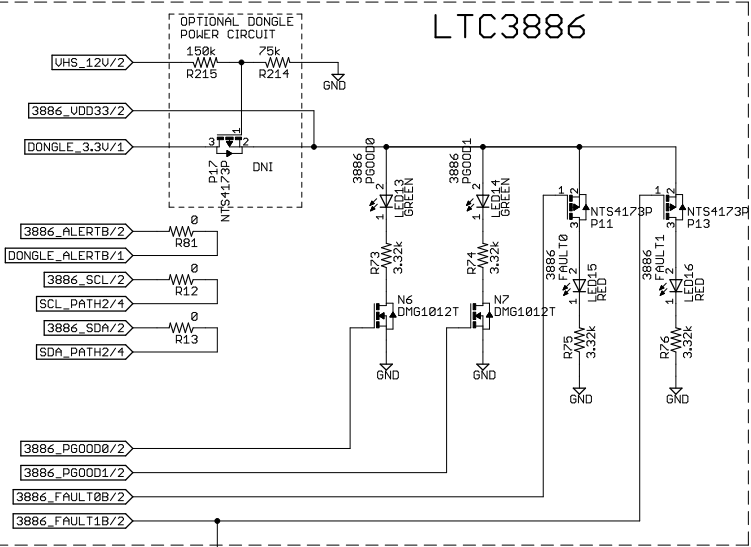
REVISION HISTORY			
ECO	REV	DESCRIPTION	DATE
-	-	-	-



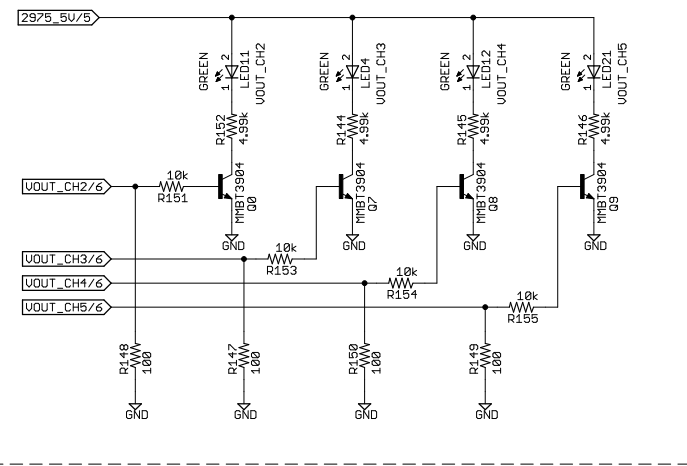
APPROVALS			1630 McCarthy Blvd. Milpitas, CA 95035 Phone (408) 432-1980 Fax (408) 434-9887 www.linear.com	LTC CONFIDENTIAL FOR CUSTOMER USE ONLY
PCB DES.	N. ENGER			
APP ENG.	N. ENGER	DC2578A		
		TOTAL MANAGED POWER		
		SIZE	IC NO.	REV:
		B	LTC4281, LTC3886, LTC2975, LTC3887	
THIS CIRCUIT IS PROPRIETARY TO LINEAR TECHNOLOGY AND SUPPLIED FOR USE WITH LINEAR TECHNOLOGY PARTS		SCALE = NONE	DATE: 8/3/17 2:30 PM	SHEET: 2/9

REVISION HISTORY			
ECO	REV	DESCRIPTION	DATE
-	-	-	-

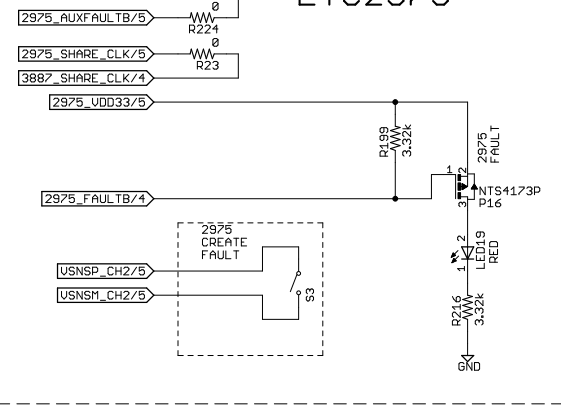
### LTC3886



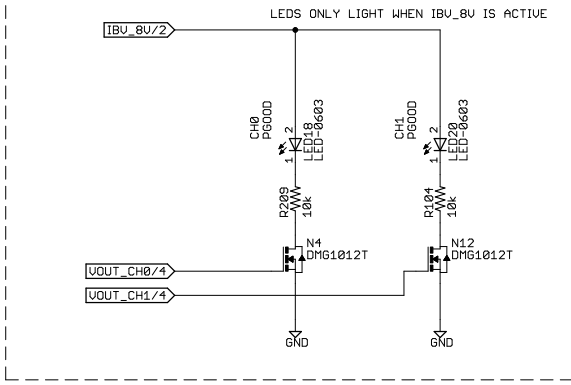
### LTC3370



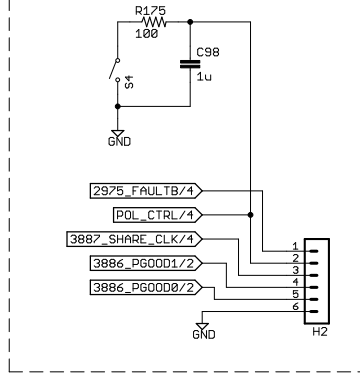
### LTC2975



### LTC3887

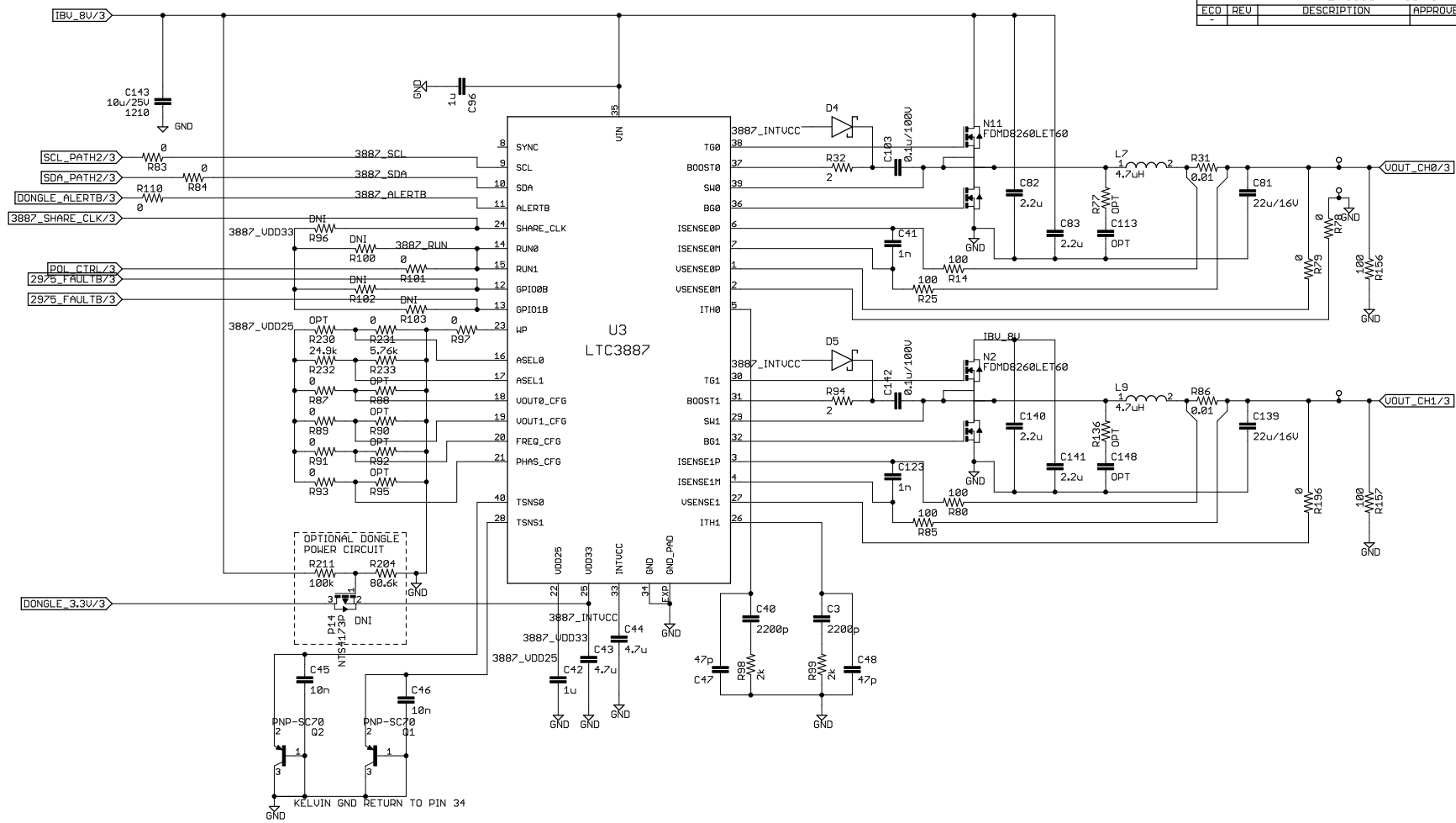



100us "DE-BOUNCE" IN ADDITION TO LTC3887 HOLDING RUN LOW



CUSTOMER NOTICE		APPROVALS			1530 McCarthy Blvd. Milpitas, CA 95035 Phone (408) 432-1900 Fax (408) 434-9957 www.linear.com	LTC CONFIDENTIAL FOR CUSTOMER USE ONLY
LINEAR TECHNOLOGY HAS MADE A BEST EFFORT TO DESIGN A CIRCUIT THAT MEETS CUSTOMER-SUPPLIED SPECIFICATIONS; HOWEVER, IT REMAINS THE CUSTOMER'S RESPONSIBILITY TO VERIFY PROPER AND RELIABLE OPERATION IN THE ACTUAL APPLICATION. COMPONENT SUBSTITUTION AND PRINTED CIRCUIT BOARD LAYOUT MAY SIGNIFICANTLY AFFECT CIRCUIT PERFORMANCE OR RELIABILITY. CONTACT LINEAR TECHNOLOGY APPLICATIONS ENGINEERING FOR ASSISTANCE.  THIS CIRCUIT IS PROPRIETARY TO LINEAR TECHNOLOGY AND SUPPLIED FOR USE WITH LINEAR TECHNOLOGY PARTS.		PCB DES.	N. ENGER			
		APP ENG.	N. ENGER	DATE: 8/3/17 2:30 PM	SHEET: 3/9	

REVISION HISTORY			
ECO	REV	DESCRIPTION	DATE
-	-	-	-

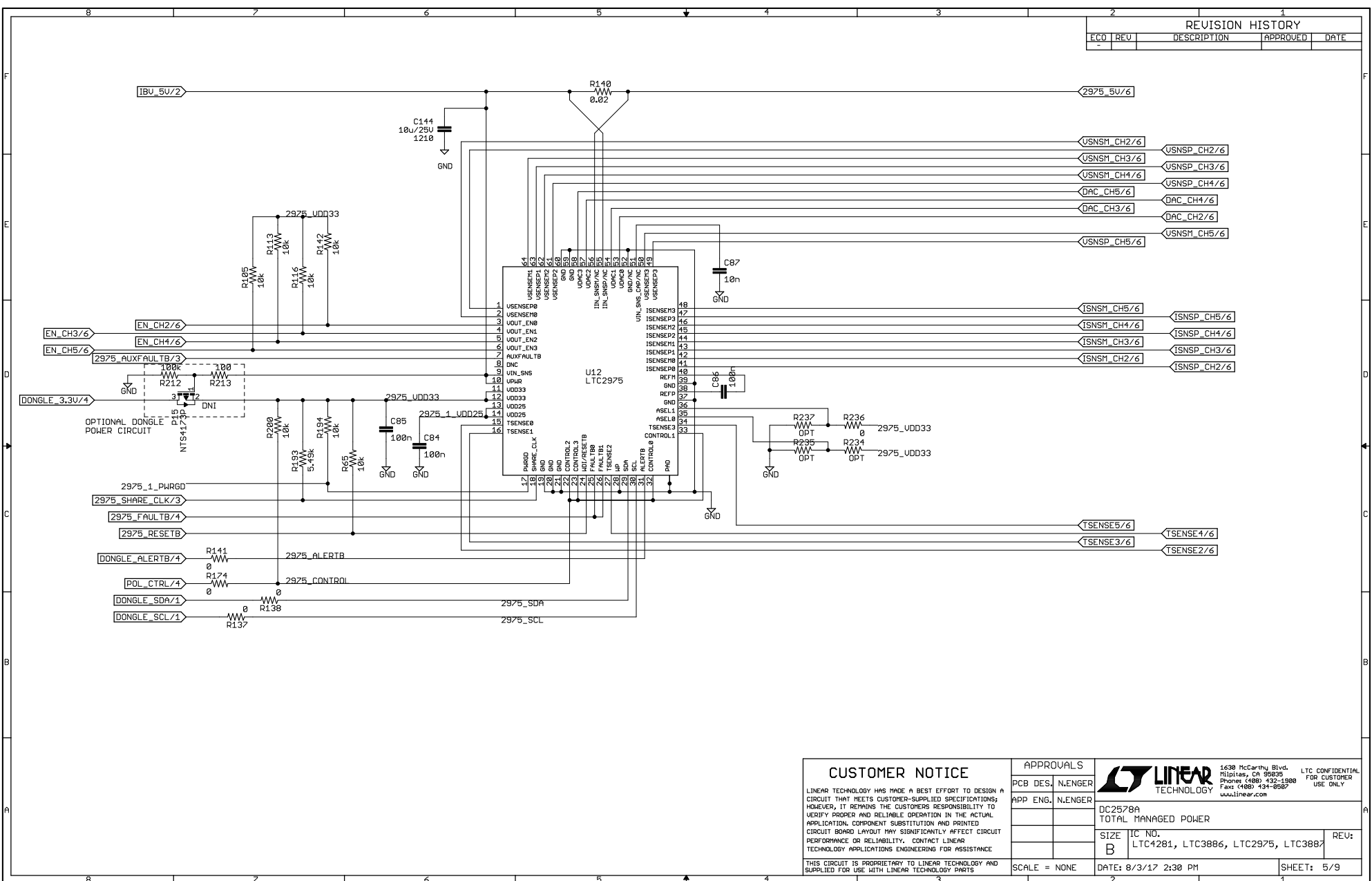



APPROVALS		 <small>1530 McCarthy Blvd. Milpitas, CA 95035 Phone (408) 432-1900 Fax (408) 434-9927 www.linear.com</small>	<small>LTC CONFIDENTIAL FOR CUSTOMER USE ONLY</small>
PCB DES.	N. ENGER		
APP ENG.	N. ENGER	DC2578A	
		TOTAL MANAGED POWER	
		SIZE	IC NO.
		B	LTC4281, LTC3886, LTC2975, LTC3887
		SCALE = NONE	REV:
		DATE: 8/3/17 2:30 PM	SHEET: 4/9

THIS CIRCUIT IS PROPRIETARY TO LINEAR TECHNOLOGY AND SUPPLIED FOR USE WITH LINEAR TECHNOLOGY PARTS

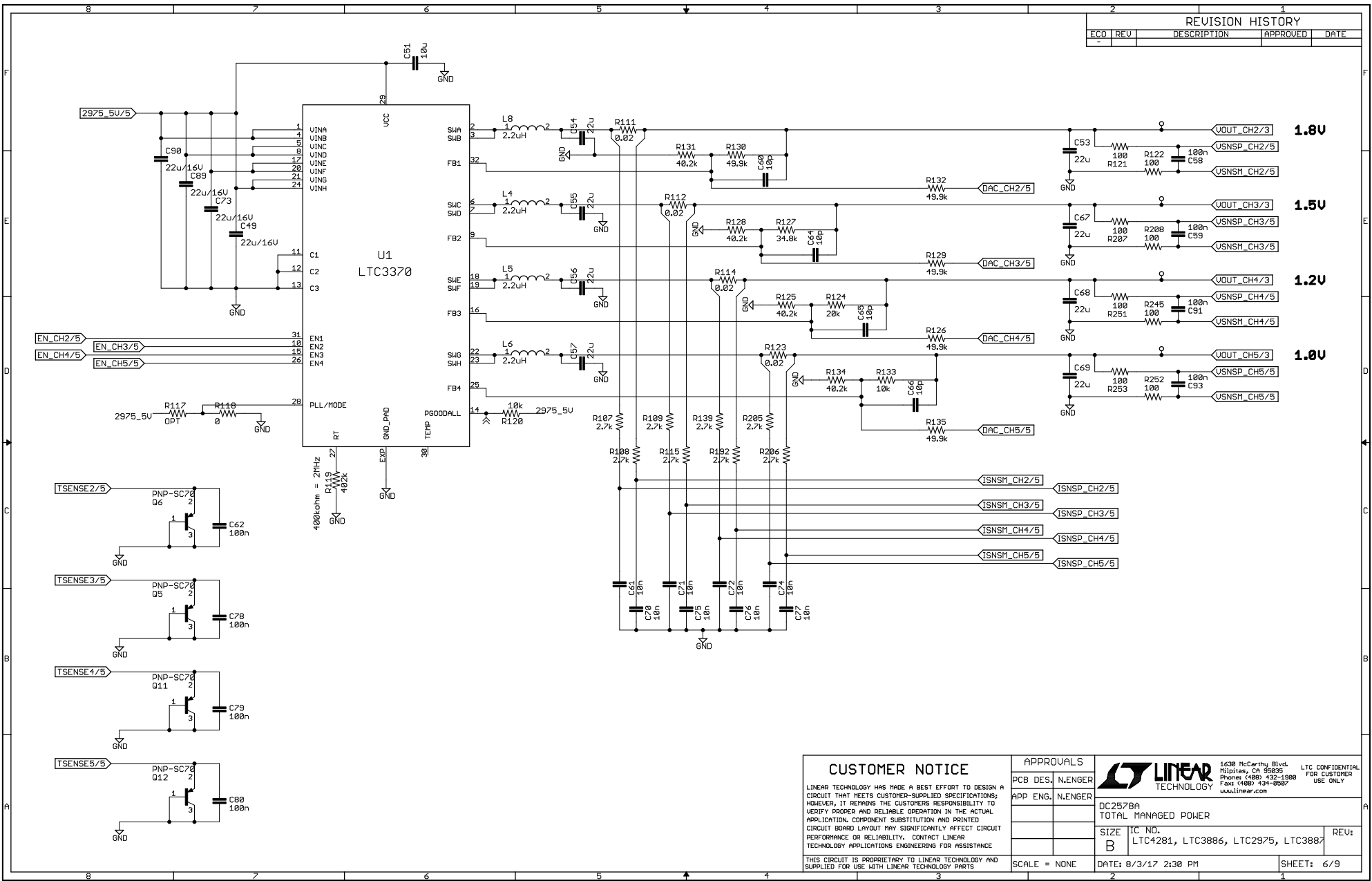
**CUSTOMER NOTICE**  
 LINEAR TECHNOLOGY HAS MADE A BEST EFFORT TO DESIGN A CIRCUIT THAT MEETS CUSTOMER-SUPPLIED SPECIFICATIONS; HOWEVER, IT REMAINS THE CUSTOMER'S RESPONSIBILITY TO VERIFY PROPER AND RELIABLE OPERATION IN THE ACTUAL APPLICATION. COMPONENT SUBSTITUTION AND PRINTED CIRCUIT BOARD LAYOUT MAY SIGNIFICANTLY AFFECT CIRCUIT PERFORMANCE OR RELIABILITY. CONTACT LINEAR TECHNOLOGY APPLICATIONS ENGINEERING FOR ASSISTANCE.

REVISION HISTORY				
ECO	REV	DESCRIPTION	APPROVED	DATE
-	-	-	-	-



CUSTOMER NOTICE		APPROVALS		 <small>1630 McCarthy Blvd. Milpitas, CA 95035 Phone (408) 432-1900 Fax (408) 434-9997 www.linear.com</small>	<small>LTC CONFIDENTIAL FOR CUSTOMER USE ONLY</small>
<small>LINEAR TECHNOLOGY HAS MADE A BEST EFFORT TO DESIGN A CIRCUIT THAT MEETS CUSTOMER-SUPPLIED SPECIFICATIONS; HOWEVER, IT REMAINS THE CUSTOMER'S RESPONSIBILITY TO VERIFY PROPER AND RELIABLE OPERATION IN THE ACTUAL APPLICATION. COMPONENT SUBSTITUTION AND PRINTED CIRCUIT BOARD LAYOUT MAY SIGNIFICANTLY AFFECT CIRCUIT PERFORMANCE OR RELIABILITY. CONTACT LINEAR TECHNOLOGY APPLICATIONS ENGINEERING FOR ASSISTANCE.</small>		PCB DES. N. ENGER	APP ENG. N. ENGER		
<small>THIS CIRCUIT IS PROPRIETARY TO LINEAR TECHNOLOGY AND SUPPLIED FOR USE WITH LINEAR TECHNOLOGY PARTS</small>		<small>SCALE = NONE</small>		<small>DATE: 8/3/17 2:30 PM</small>	<small>SHEET: 5/9</small>

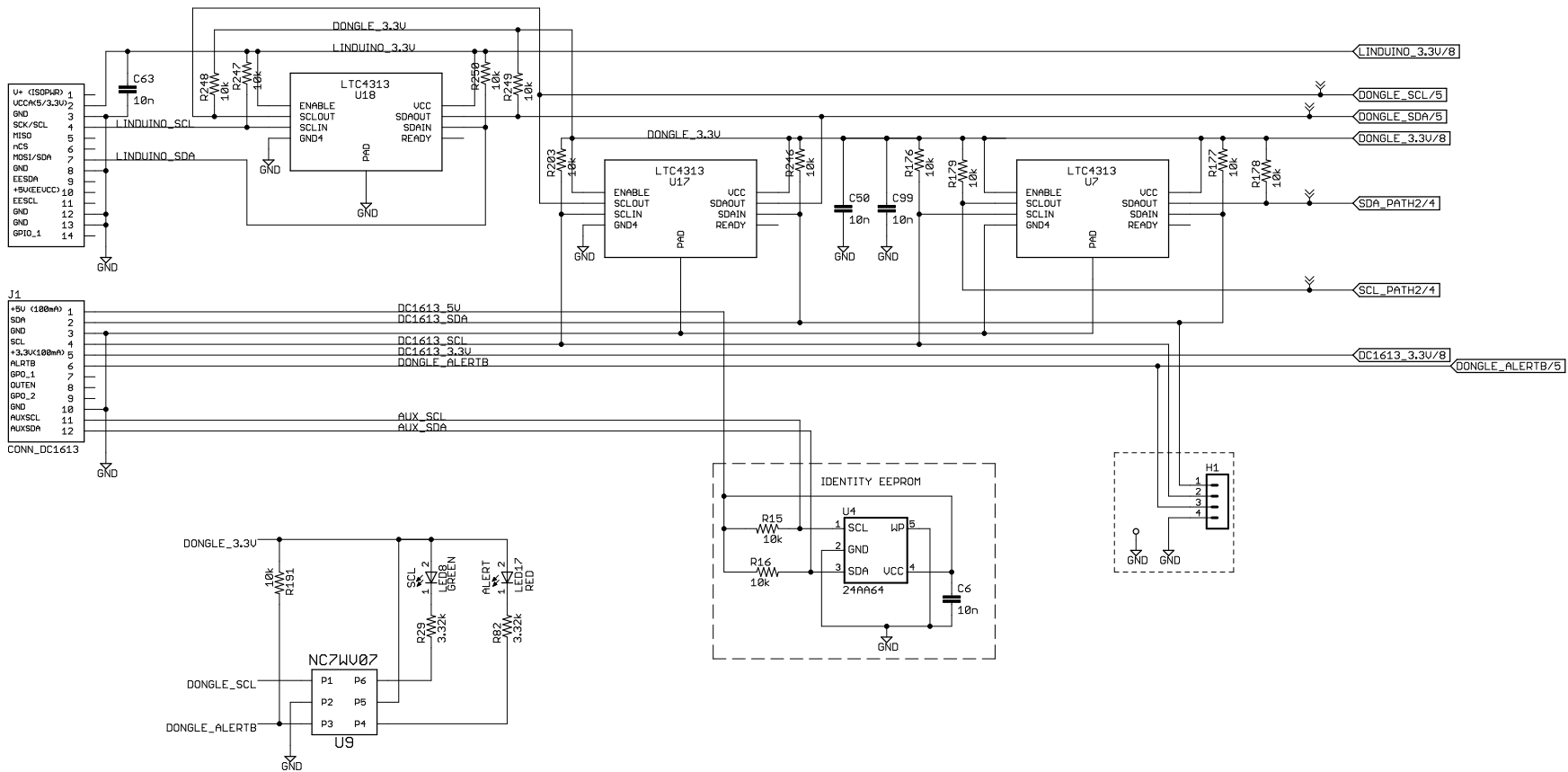
REVISION HISTORY			
ECO	REV	DESCRIPTION	DATE
-	-	-	-



CUSTOMER NOTICE		APPROVALS			1630 McCarthy Blvd. Milpitas, CA 95035 Phone (408) 432-1900 Fax (408) 434-9997 www.linear.com	LTC CONFIDENTIAL FOR CUSTOMER USE ONLY
LINEAR TECHNOLOGY HAS MADE A BEST EFFORT TO DESIGN A CIRCUIT THAT MEETS CUSTOMER-SUPPLIED SPECIFICATIONS; HOWEVER, IT REMAINS THE CUSTOMER'S RESPONSIBILITY TO VERIFY PROPER AND RELIABLE OPERATION IN THE ACTUAL APPLICATION. COMPONENT SUBSTITUTION AND PRINTED CIRCUIT BOARD LAYOUT MAY SIGNIFICANTLY AFFECT CIRCUIT PERFORMANCE OR RELIABILITY. CONTACT LINEAR TECHNOLOGY APPLICATIONS ENGINEERING FOR ASSISTANCE.		PCB DES.	N. ENGER			
THIS CIRCUIT IS PROPRIETARY TO LINEAR TECHNOLOGY AND SUPPLIED FOR USE WITH LINEAR TECHNOLOGY PARTS		APP ENG.	N. ENGER	TOTAL MANAGED POWER	DATE: 8/3/17 2:30 PM	SHEET: 6/9

REVISION HISTORY			
ECC	REV	DESCRIPTION	DATE
-	-	-	-

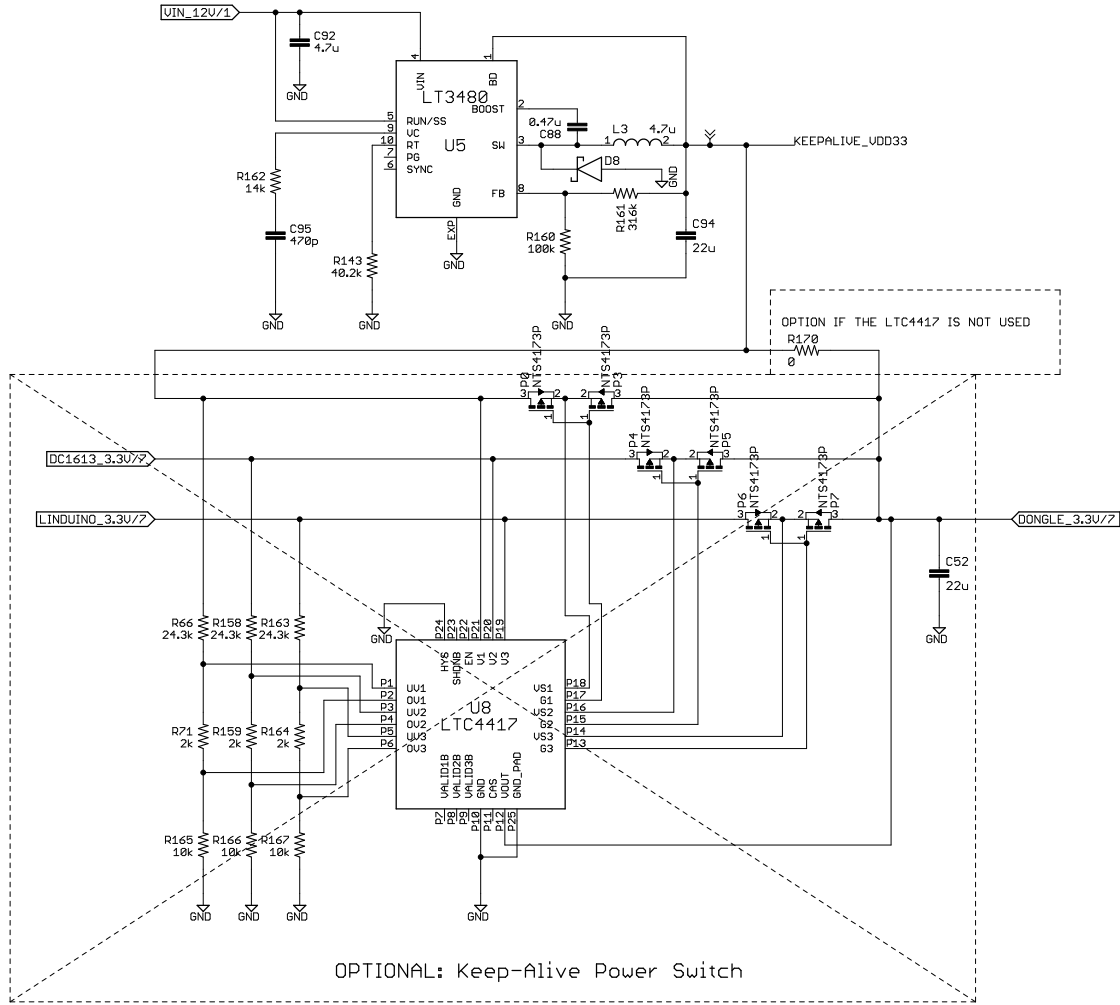
### I2C Bus MUXes



CUSTOMER NOTICE		APPROVALS			1630 McCarthy Blvd. Milpitas, CA 95035 Phone (408) 432-1900 Fax (408) 434-9907 www.linear.com	LTC CONFIDENTIAL FOR CUSTOMER USE ONLY
LINEAR TECHNOLOGY HAS MADE A BEST EFFORT TO DESIGN A CIRCUIT THAT MEETS CUSTOMER-SUPPLIED SPECIFICATIONS; HOWEVER, IT REMAINS THE CUSTOMER'S RESPONSIBILITY TO VERIFY PROPER AND RELIABLE OPERATION IN THE ACTUAL APPLICATION. COMPONENT SUBSTITUTION AND PRINTED CIRCUIT BOARD LAYOUT MAY SIGNIFICANTLY AFFECT CIRCUIT PERFORMANCE OR RELIABILITY. CONTACT LINEAR TECHNOLOGY APPLICATIONS ENGINEERING FOR ASSISTANCE.		PCB DES:	N. ENGER			
THIS CIRCUIT IS PROPRIETARY TO LINEAR TECHNOLOGY AND SUPPLIED FOR USE WITH LINEAR TECHNOLOGY PARTS.		APP ENG:	N. ENGER	TOTAL MANAGED POWER		
				SIZE	LTC4281, LTC3886, LTC2975, LTC3887	
				B		
		SCALE = NONE	DATE: 8/3/17 2:30 PM			SHEET: 7/9

Keep-Alive Power Stage +3.3U

REVISION HISTORY				
ECO	REV	DESCRIPTION	APPROVED	DATE
-				



**CUSTOMER NOTICE**

LINEAR TECHNOLOGY HAS MADE A BEST EFFORT TO DESIGN A CIRCUIT THAT MEETS CUSTOMER-SUPPLIED SPECIFICATIONS; HOWEVER, IT REMAINS THE CUSTOMER'S RESPONSIBILITY TO VERIFY PROPER AND RELIABLE OPERATION IN THE ACTUAL APPLICATION. COMPONENT SUBSTITUTION AND PRINTED CIRCUIT BOARD LAYOUT MAY SIGNIFICANTLY AFFECT CIRCUIT PERFORMANCE OR RELIABILITY. CONTACT LINEAR TECHNOLOGY APPLICATIONS ENGINEERING FOR ASSISTANCE.

THIS CIRCUIT IS PROPRIETARY TO LINEAR TECHNOLOGY AND SUPPLIED FOR USE WITH LINEAR TECHNOLOGY PARTS.

APPROVALS			1630 McCarthy Blvd. Milpitas, CA 95035 Phone (408) 432-1900 Fax (408) 434-9927 www.linear.com	LTC CONFIDENTIAL FOR CUSTOMER USE ONLY
PCB DES.	N. ENGER			
APP ENG.	N. ENGER	DC2578A	TOTAL MANAGED POWER	
		SIZE	IC NO.	REV:
		B	LTC4281, LTC3886, LTC2975, LTC3887	
SCALE = NONE		DATE: 8/3/17 2:30 PM	SHEET: 8/9	



