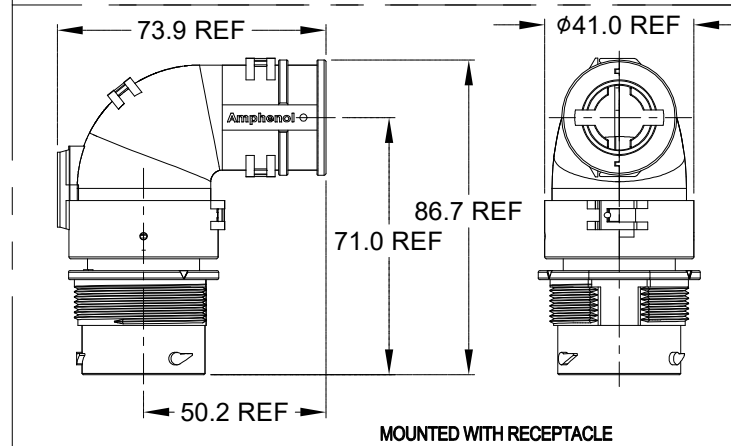
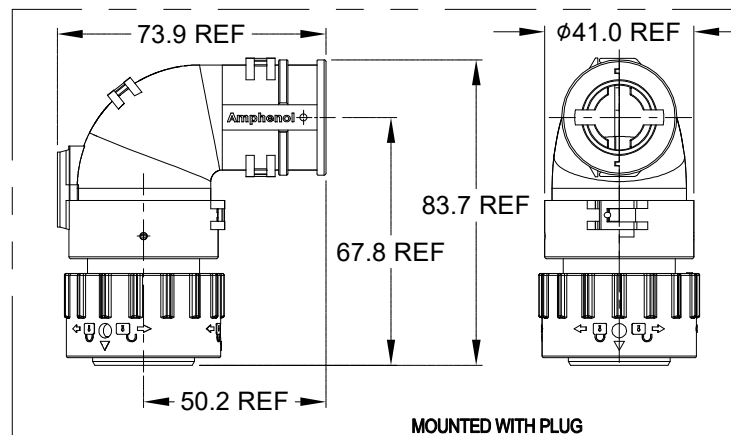
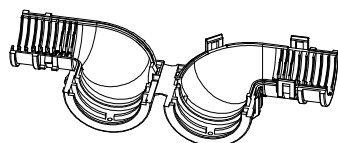
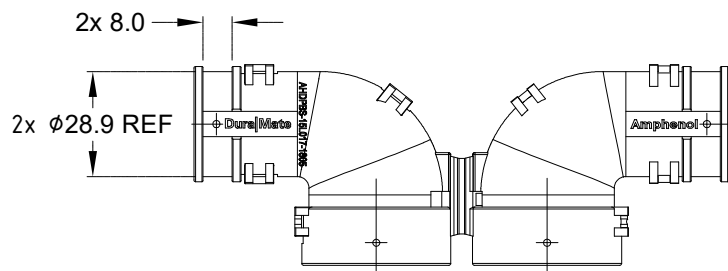
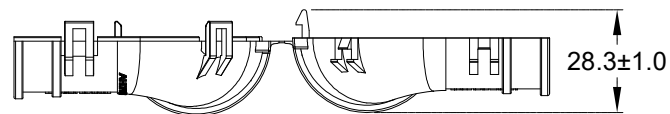
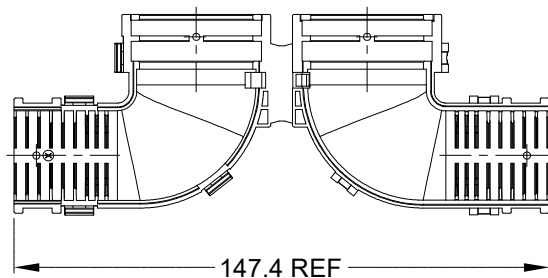


REVISIONS

REV	ECO	DESCRIPTION	DATE	BY	APPR
A1	-	FIRST ISSUE	08-MAR-22	MILO	TOMMY



NOTES: UNLESS OTHERWISE SPECIFIED

1. MATERIAL: THERMOPLASTIC,COLORS: BLACK
- 2.USE WITH AHDP02/04/06-18-*P/S-BRA
- 3.CABLE EXIT DESIGNED FOR CORRUGATED TUBE NW 13,17 AND 19.
4. RoHS COMPLIANT
5. ALL DIMENSIONS ARE FOR REFERENCE USE ONLY.

QUANTITY	AHDPBS-15L017-1805	DESCRIPTION	ITEM

MATERIALS LIST

<p>UNLESS OTHERWISE SPECIFIED</p> <p>1) All dimensions are in metric(mm).</p> <p>2) Tolerances are as follows:</p> <p>1 PL DEC ±0.50</p> <p>2 PL DEC ±0.15</p> <p>3 PL DEC ±0.08</p> <p>3) Note reference = </p>	<p>SIGNATURES</p> <p>DRAWN: MILO.DONG</p> <p>CHECKED: SULLENZHANG</p> <p>ENGINEER:</p> <p>APPROVAL: TOMMY.XIE</p>	<p>DATE</p> <p>08-MAR-22</p> <p>09-MAR-22</p> <p>10-MAR-22</p>	<p>Amphenol</p> <p>Sine Systems - www.amphenol-sine.com</p> <p>44724 Morley Drive</p> <p>Clinton Township, MI 48036</p>
	<p>MATERIAL SPECIFICATIONS:</p> <p>WEIGHT: 22.3g</p>	<p>CUSTOMER:</p>	
<p>PROCESS SPECIFICATIONS:</p>	<p>SIZE</p> <p>A C-</p>	<p>TYPE</p> <p>AHDPBS-15L017-1805</p>	<p>REVISION</p> <p>A1</p>
<p>NEXT ASSY:</p>	<p>SCALE: NONE</p>	<p>DURAMATE</p>	<p>SHEET 1 OF 1</p>