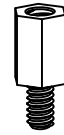
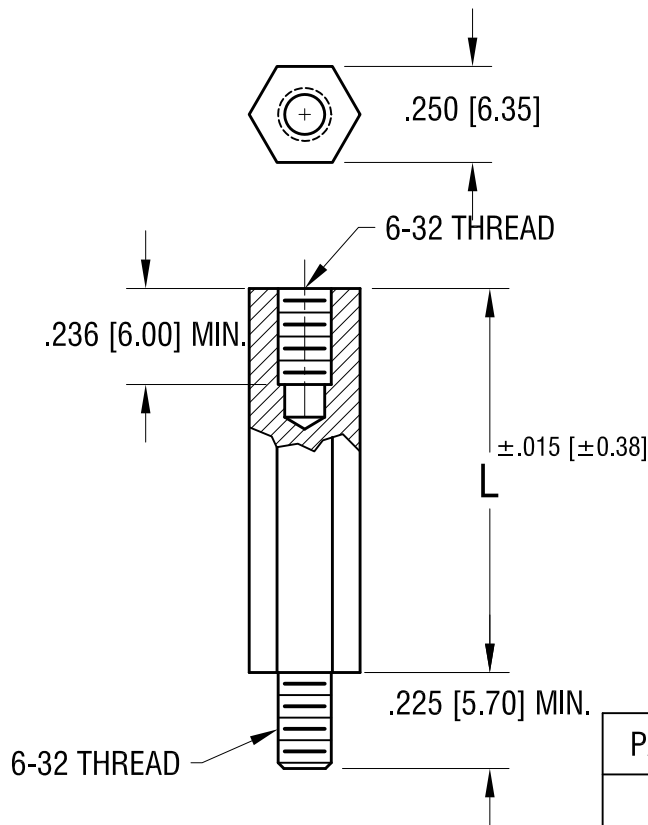


THIS DOCUMENT IS THE PROPERTY OF
KEYSTONE ELECTRONICS CORP. AND
SHALL NOT BE REPRODUCED, DISTRIBUTED
OR USED AS A BASIS FOR MANUFACTURE
WITHOUT PRIOR WRITTEN PERMISSION
FROM KEYSTONE ELECTRONICS CORP.

ACTUAL SIZE



P/N 4815



| PART NO. | 'L' DIM. |
|----------|---------------|
| 4815 | .375 [9.52] |
| 4816 | .500 [12.70] |
| 4817 | .625 [15.87] |
| 4818 | .750 [19.05] |
| 4819 | .875 [22.22] |
| 4820 | 1.000 [25.4] |
| 4821 | 1.125 [28.57] |

KEYSTONE ELECTRONICS CORP.

www.keyelco.com • NEW HYDE PARK NY 11040 • Tel (516)328-7500

| | | | |
|----------------------------|-----------------|-----------------------|-------------|
| PART NAME | | NYLON M/F STANDOFF | |
| MATERIAL | | NYLON, UL RATED 94V-2 | |
| FINISH | NONE | DRN BY | BOONE |
| | | APP'D | RH |
| | | DATE | 11.02.05 |
| | | SCALE | 2X |
| TOLERANCES | INCH [MM] | CODE | DWG NO. |
| DECIMAL | ± .005 [± 0.13] | C | 4815 - 4821 |
| ANGULAR | ± 1° | | |
| UNLESS OTHERWISE SPECIFIED | | | |

8.01.22 | SPLIT C/M TO 'C' & 'M'
CHANGE AS PER ECN 22-135

| DATE | DESCRIPTION | REV. |
|------|-------------|------|
| | | A |