

Technical specification:

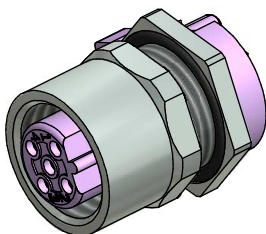
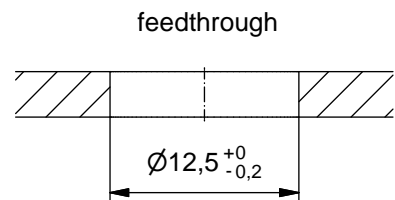
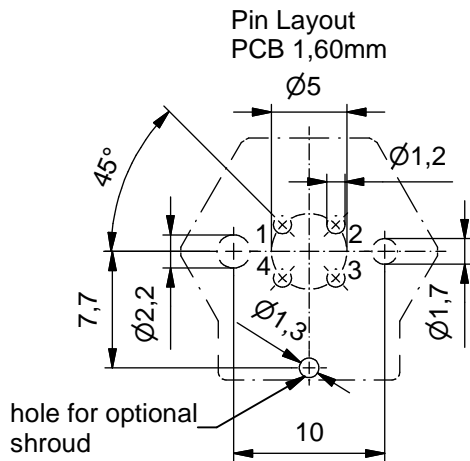
Rated voltage: 250 V
 IEC 61076-2-101
 Current rating: 4 A at 40°C
 IEC 61076-2-101
 Insulation resistance: >=100 MΩ
 IEC 60512
 Pollution degree: 3/2
 IEC 60664-1
 Degree of protection: IP 67, in mated condition
 IEC 60529
 Temperature range: -30°C ... +85°C
 EN 60512-11-10
 -40°C ... +85°C
 EN 60512-11-4
 Mating cycles: >=100
 IEC 60512-9a

Materials:

Contact: CuZn, Ni b / Au 0,2 gal.
 Contact carrier: PA GF, UL 94 V-0
 Sealing: FPM / NBR
 Socket housing: CuZn, nickel plated
 Shroud: spring steel, nickel plated

Installation specification:

recommended torque: 0,8-1 Nm
 Conec installation tool: Torque wrench: 36-000200
 Insert across flats 14: 36-000370
 Insert across flats 15: 36-000320



Part no:	Description:	Pos	Note:
43-01217	SAL - 12B - FKH4 - X5,5	4	with shroud

DO NOT ALTER CAD DRAWING BY HAND
 RoHS & REACH compliant
 Index: d 26.08.13 MG Ä4884
 Data sheet revised, width across flats changed, installation specification added
 general tolerance: 0 ± 0,50mm
 0,0 ± 0,25mm
 0,00 ± 0,10mm
 * ± 1,5°
 THIS DRAWING MAY NOT BE COPIED OR REPRODUCED IN ANY WAY, AND MAY NOT BE PASSED ON TO A THIRD PARTY WITHOUT WRITTEN PERMISSION. OWNERSHIP AND COPYRIGHT OF CONEC GmbH

dim. in mm	
date	name
drawn 22.11.07	Fromm
appd. 18.02.08	W. Schmidt



title:
 Female socket M12x1 axial, profibus DP, backmounting, dip solder, X5,5
 dwg no:
 43K1A531
 part no: