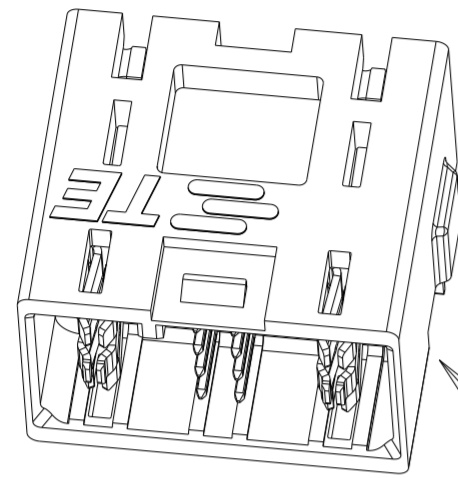
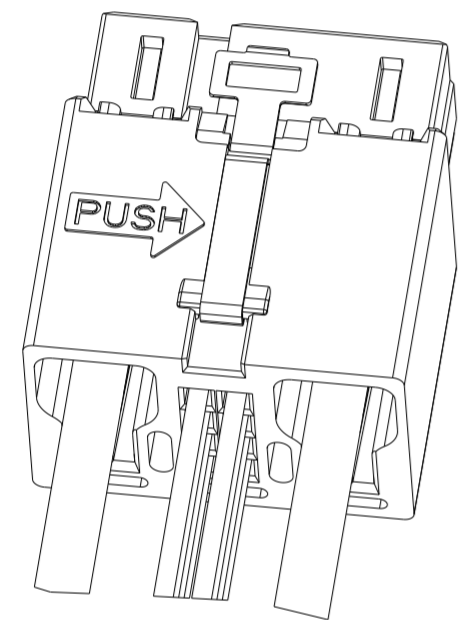


THIS DRAWING IS UNPUBLISHED. RELEASED FOR PUBLICATION 20
 © COPYRIGHT 20 BY - ALL RIGHTS RESERVED.

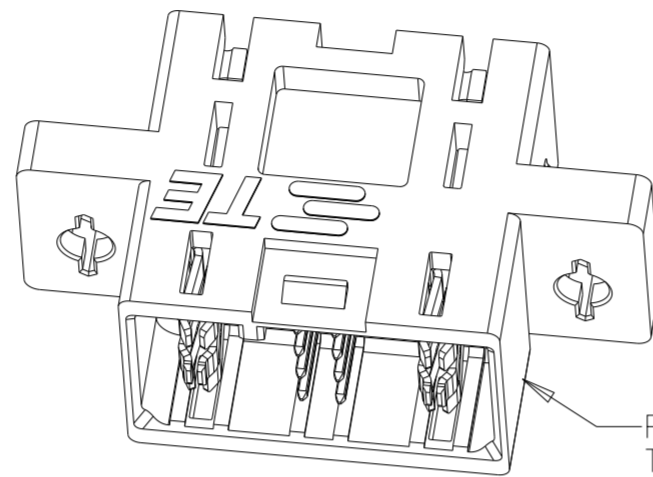
REVISIONS				
P	LTR	DESCRIPTION	DATE	APVD
A		PRODUCTION RELEASE	31AUG2021	LN RL



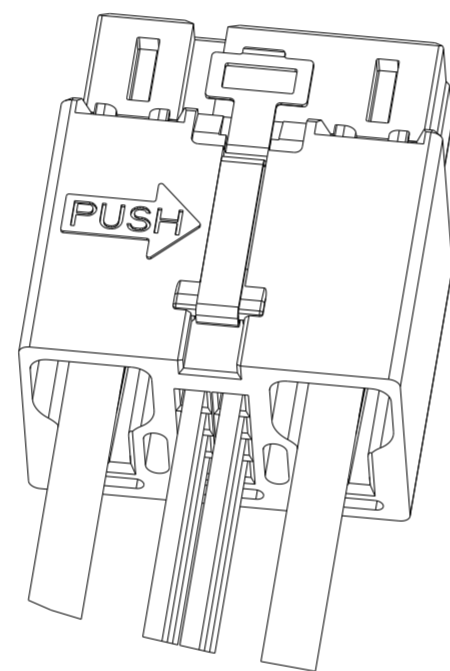
PLUG CONNECTOR
TE P/N 2332802-1



RECEPTACLE CONNECTOR
TE P/N 2332800



PLUG CONNECTOR
TE P/N 2332802-2



RECEPTACLE CONNECTOR
TE P/N 2332800

NON-PANEL MOUNT KIT
2332799-1 THRU 2332799-4

PANEL MOUNT KIT
2332799-5 THRU 2332799-8

- 1 MATERIAL: LATCH - STAINLESS STEEL
CONTACTS - HIGH CONDUCTIVITY COPPER ALLOY
HOLD-DOWNS - COPPER ALLOY
HOUSINGS - THERMOPLASTIC, UL94 V-0
MAIN HOUSINGS COLOR: ORANGE
CONTACT LOCKS COLOR: WHITE
POWER WIRE - STRANDED COPPER WITH SILICONE JACKET,
RATED TO 200°C
COLOR: RED OR BLACK AS SHOWN.
SIGNAL WIRE - STRANDED COPPER, 24 AWG.
COLOR: WHITE
- 2 PLATING: CONTACTS - Ni UNDER ALL.
Au AT CONTACT AREA.
Sn AT PCB INTERFACE.
HOLD-DOWNS - TIN WITH NICKEL UNDERPLATING
- 3 MECHANICAL CONNECTOR KEEP OUT ZONE.
- 4 DATUM AND BASIC DIMENSIONS ESTABLISHED BY CUSTOMER.
- 5 PCB - HOLE DIAMETERS ARE FINISHED HOLE SIZE.
- 6 PCB - 1.15±0.03 DRILLED HOLES PLATED WITH .0076 MIN Sn
OVER .0254 TO .0762 Cu PLATING TO ACHIEVE A 1.02 DIA HOLE.
- 7 FEATURES DESIGNED TO RETAIN M3 THIN HEX NUT (DIN 439)
- 8. KIT PACKAGED UNMATED IN PLASTIC BAG.
- 9 DIMENSIONS DO NOT APPLY TO 2332799-1 THROUGH 2332799-4.

8 AWG	SOLDER TAIL	YES	2332799-8
10 AWG	SOLDER TAIL	YES	2332799-7
12 AWG	SOLDER TAIL	YES	2332799-6
14 AWG	SOLDER TAIL	YES	2332799-5
8 AWG	SOLDER TAIL	NO	2332799-4
10 AWG	SOLDER TAIL	NO	2332799-3
12 AWG	SOLDER TAIL	NO	2332799-2
14 AWG	SOLDER TAIL	NO	2332799-1
POWER WIRE SIZE	CONTACT STYLE	PANEL MOUNT FEATURES	PART NO.

THIS DRAWING IS A CONTROLLED DOCUMENT.		DWN K. MILLER 11OCT2018	TE Connectivity	
DIMENSIONS: mm		CHK N. RUFFINI 11OCT2018	NAME UMP, PLUG AND RECEPTACLE, WITH SIGNAL, CONNECTOR, KIT/ASSY, WIRE TO PCB WITH PIGTAILS	
TOLERANCES UNLESS OTHERWISE SPECIFIED: 0 PLC ± 1 PLC ±0.25 2 PLC ±0.13 3 PLC ± 4 PLC ± ANGLES ±2° FINISH		APVD -	PRODUCT SPEC 108-163021	RESTRICTED TO
MATERIAL		APVD -	APPLICATION SPEC 114-163021	SIZE A2
1		APVD -	WEIGHT -	CAGE CODE 00779
2		APVD -	CUSTOMER DRAWING	DRAWING NO C-2332799
		SCALE 2:1	SHEET 1 OF 2	REV A

