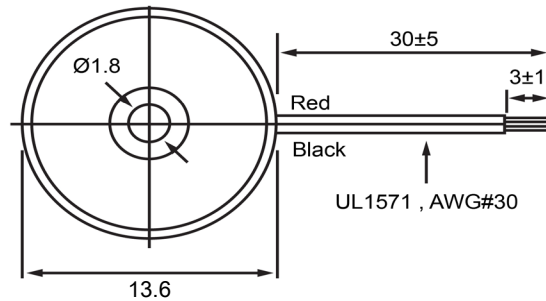
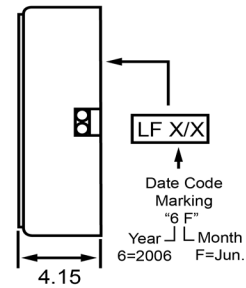



TOP VIEW



SIDE VIEW



Specifications			Notes	Revision History						
Description	Value	Unit		Version	Description	Date	Approved			
Technology	Piezo		1) All dimensions are in mm unless otherwise noted 2) All parts meet RoHS 	1	Released from Engineering	10/21/2013	J.S			
Resonant Frequency	4,800	(Hz)								
Rated Voltage	5	(V)								
SPL @ 10cm	80	(dBA)								
Capacitance	12,000	(pF)								
Mount Type	Flush									
Voltage Range	1 ~ 30	(V)								
Max Rated Current	5	(mA)								
Housing Material	ABS									
Operating Temperature	-20 ~ +60	°C								
Storage Temperature	-20 ~ +60	°C								
Weight	3	(g)								
				Drawn by	Date	Checked by	Date	Approved by	Date	
				A.B.	10/21/2013	C.E.	10/21/2013	J.S	10/21/2013	
				<b>Piezo Transducer</b>			<b>TP134805-1</b>			