

REV. B		SHEET 1 OF 2		DOCUMENT NO. RVPX-PE20815XX	
REVISIONS					
LTR	DESCRIPTION			DATE	
A	INITIAL RELEASE			17-AUG-20	
B	UPDATE WAFER LOAD/FOOTPRINT IMAGES TO REFLECT CORRECT LOAD			19-JUL-22 ECN:2152	

DOCUMENT NO. RVPX-PE20815XX

SHEET 1 OF 2

C

B

A

FORMAT: C-0-E-1

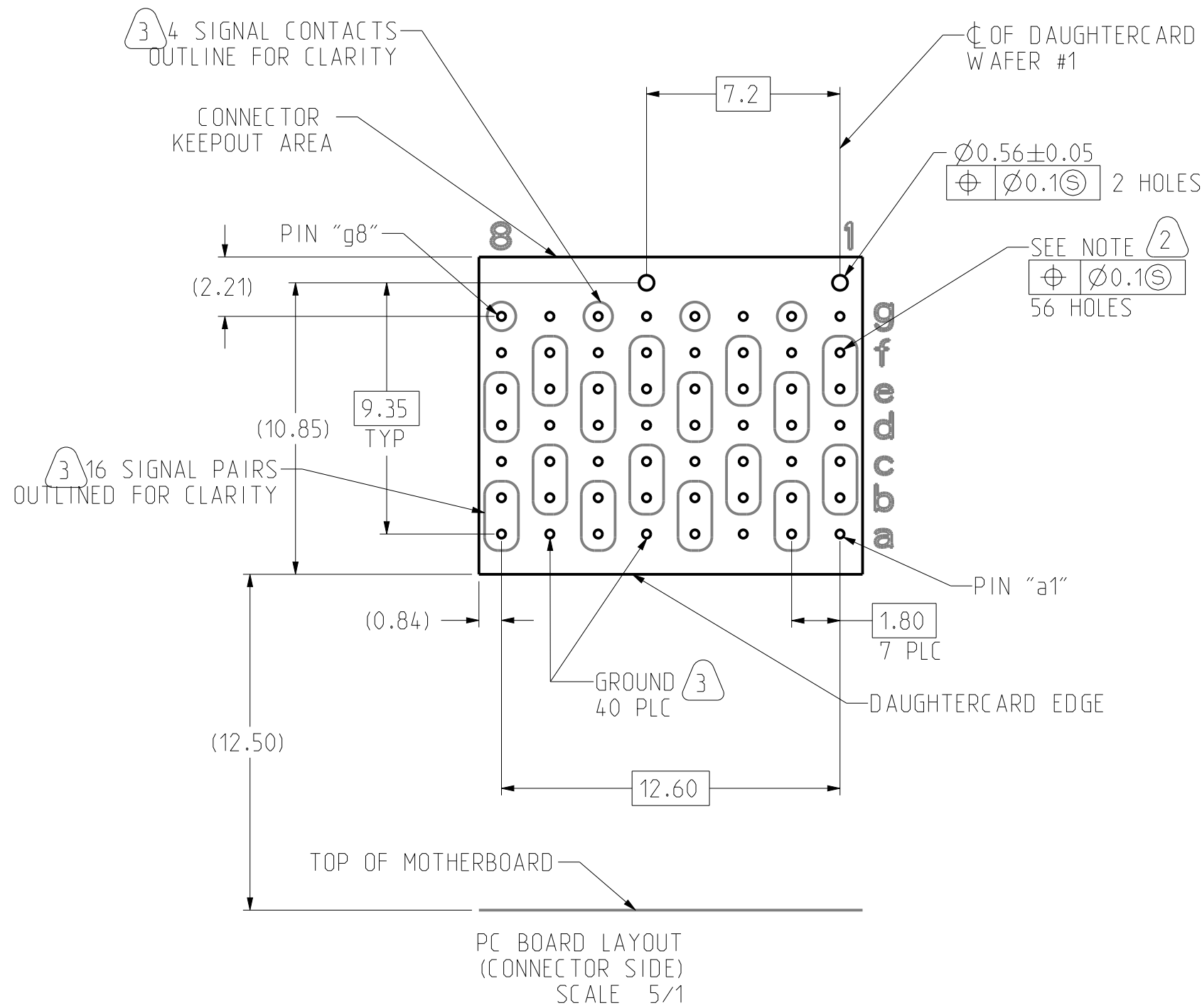
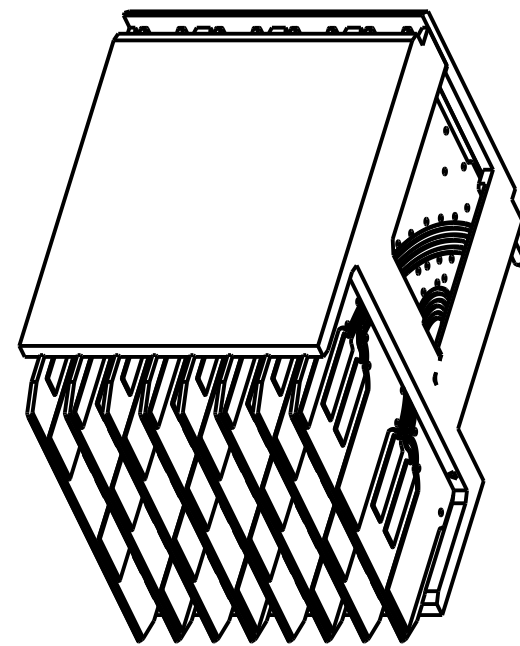


TABLE 1
INTERCONNECTIONS WITH BACKPLANE CONNECTOR RVPX-J08EXX

TYPICAL INTERCONNECTIONS FOR COLUMN (WAFER): 1,3,5,7		
CONTACT USAGE	DAUGHTERCARD CONNECTOR PIN	BACKPLANE CONNECTOR PIN
SIGNAL PAIR	bx	cx
SIGNAL PAIR	cx	dx
SIGNAL PAIR	ex	gx
SIGNAL PAIR	fx	hx
GROUND	ax, dx, gx, (ALL COMMONED)	ax, bx, ex, fx, ix

TYPICAL INTERCONNECTIONS FOR COLUMN (WAFER): 2,4,6,8		
CONTACT USAGE	DAUGHTERCARD CONNECTOR PIN	BACKPLANE CONNECTOR PIN
SIGNAL PAIR	ax	ax
SIGNAL PAIR	bx	bx
SIGNAL PAIR	dx	ex
SIGNAL PAIR	ex	fx
SIGNAL PAIR	gx	ix
GROUND	cx, fx, (ALL COMMONED)	cx, dx, gx, hx

NOTE: "x" DESIGNATES THE COLUMN NUMBER

TABLE 2

PLATING THICKNESS AND MATERIAL BY PART NUMBER			
PART NUMBER	GOLD IN CONTACT AREA	COMPLIANT	NICKEL OVERALL
RVPX-PE20815M1	50 μ-INCH MIN	50 μ-INCH MIN TIN	50 μ-INCH MIN
RVPX-PE20815M2	50 μ-INCH MIN	50 μ-INCH MIN TIN-LEAD	50 μ-INCH MIN
RVPX-PE20815C1	30 μ-INCH MIN	50 μ-INCH MIN TIN	50 μ-INCH MIN
RVPX-PE20815C2	30 μ-INCH MIN	50 μ-INCH MIN TIN-LEAD	50 μ-INCH MIN

- 4 SEE TABLE 2 FOR PART NUMBER AND FINISHES
- 3 SEE TABLE 1 FOR INTERCONNECTIONS TO BACKPLANE CONNECTOR
- 2 PTH CALLOUT TYPICAL HOLE
 Ø0.38-.43 DRILL
 Ø0.31 ±.05 FINISH HOLE
 Ø0.66 PAD
- 1 HOUSING: GLASS FILLED LCP, UL94 - V0
 CONTACT: CU ALLOY
 POST: STAINLESS STEEL, PASSIVATED

THE USE OF THIS DOCUMENT IS UNLIMITED. HOWEVER, DOCUMENTS REFERENCED HEREON MAY CONTAIN LIMITED RIGHTS DATA.

NONE
NEXT ASSEMBLY

PRO/ENGINEER INFORMATION
 Pro/e Model Used:
 426-0046-001.PART
 Drawing Name:
 RVPX-PE20815XX

UNLESS OTHERWISE SPECIFIED

SPECIFICATIONS

POS QTY PART NUMBER DESCRIPTION NOTE

APPROVALS DATE

PREPARED BY S. LANGELIER

ENGINEER IN CHARGE S. LANGELIER 19-Jul-22

DESIGN MANAGER G. PECK

DESIGN ACTIVITY GROUP BOARD LEVEL

THIRD ANGLE PROJECTION

LEGENDS:
 =FLAG NOTE CALL OUT REFERENCE ONLY

MATERIAL SPEC. N/A

PROCESS SPEC. 9-3895 9-3856-5

APPROVALS DATE

PREPARED BY S. LANGELIER

ENGINEER IN CHARGE S. LANGELIER 19-Jul-22

DESIGN MANAGER G. PECK

DESIGN ACTIVITY GROUP BOARD LEVEL

THIRD ANGLE PROJECTION

PARTS LIST

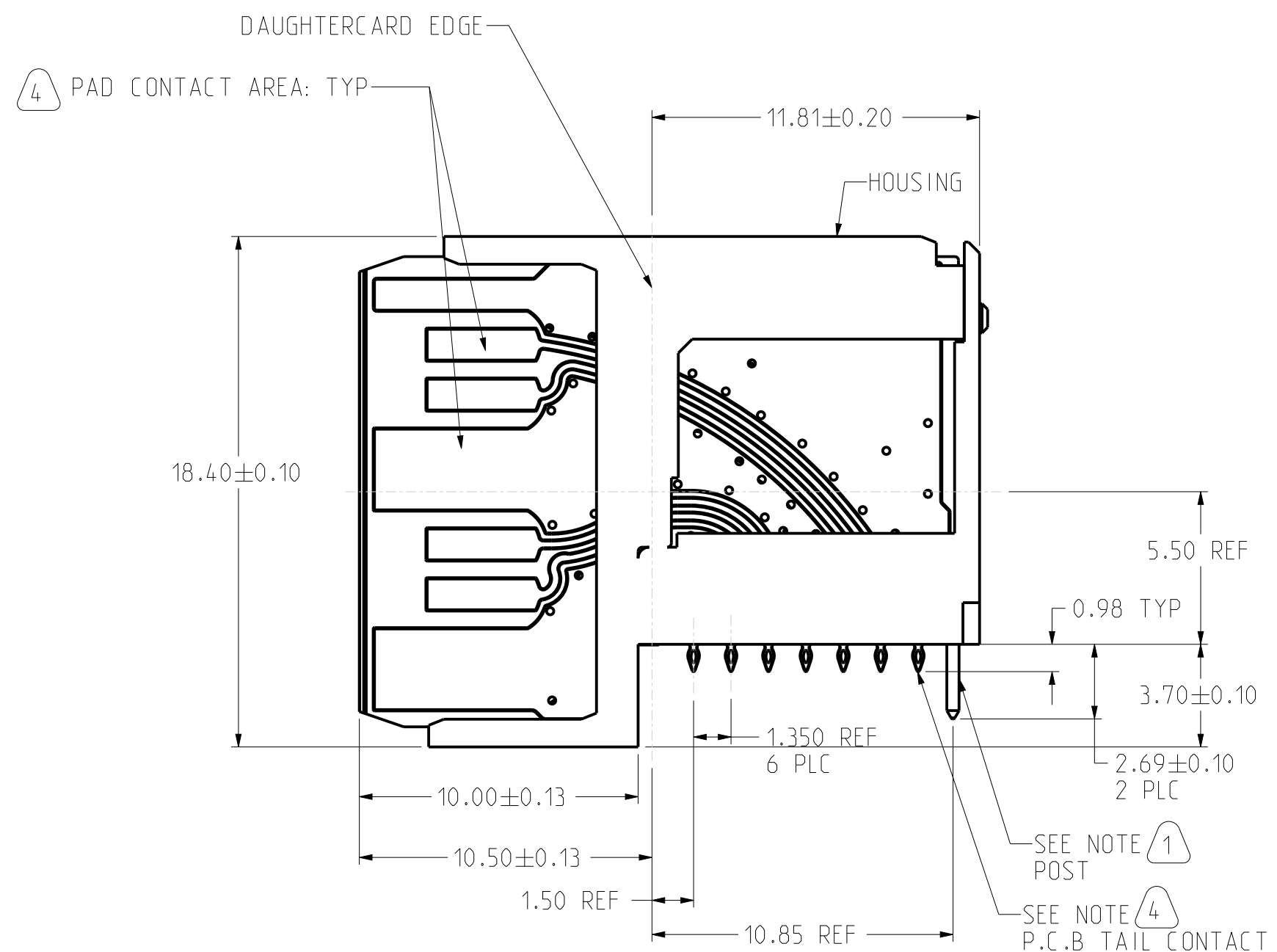
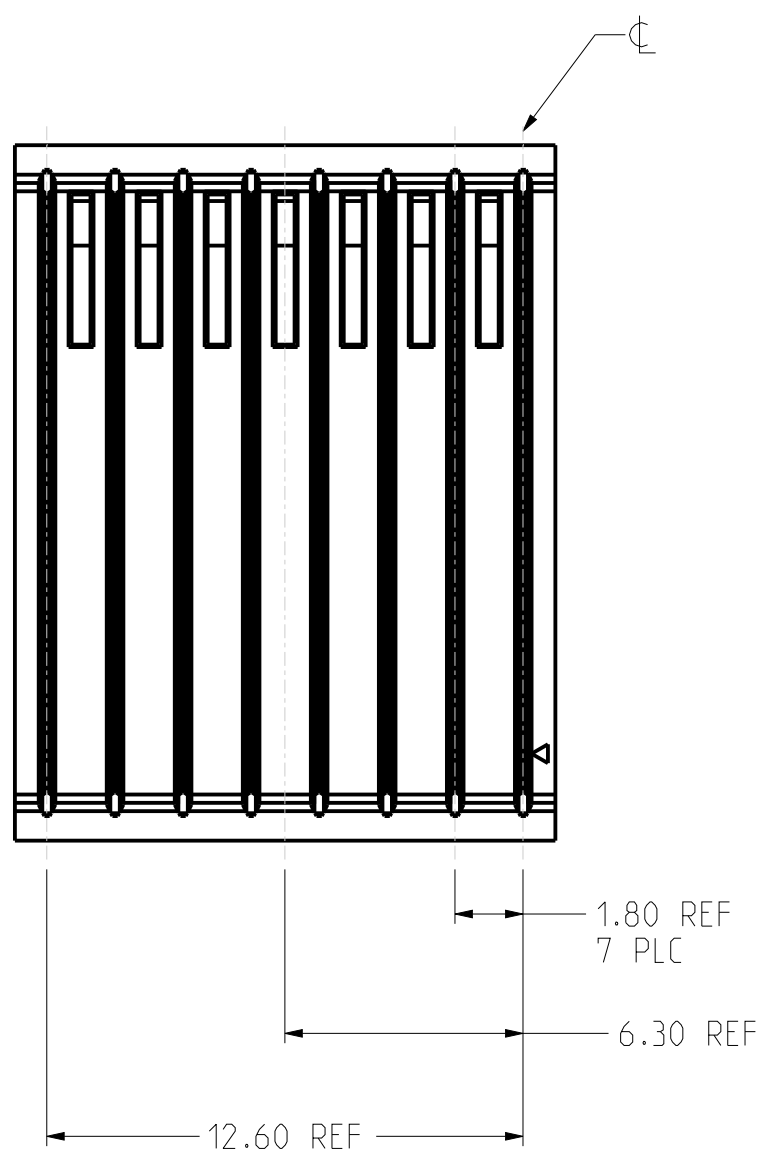
AMPHENOL CORPORATION
 40-60 DELAWARE AVENUE
 SIDNEY, N.Y. 13858

RIGHT ANGLE PLUG ASSEMBLY
 HALF CENTER, EVO 2
 DAUGHTERCARD CONNECTOR, VITA 46

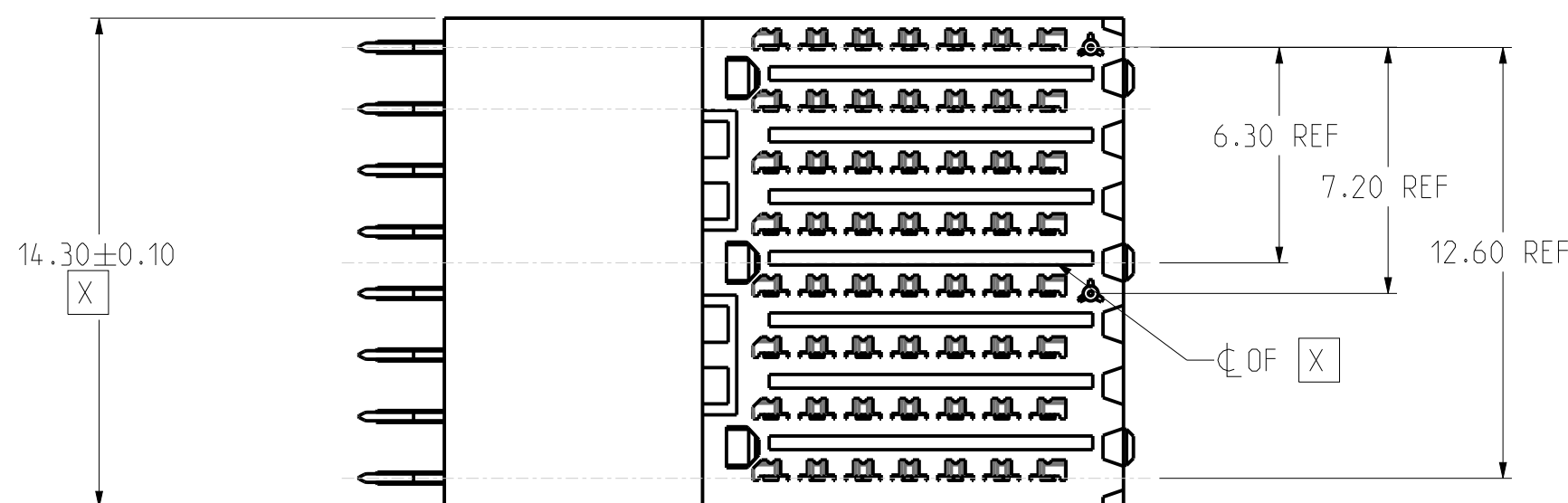
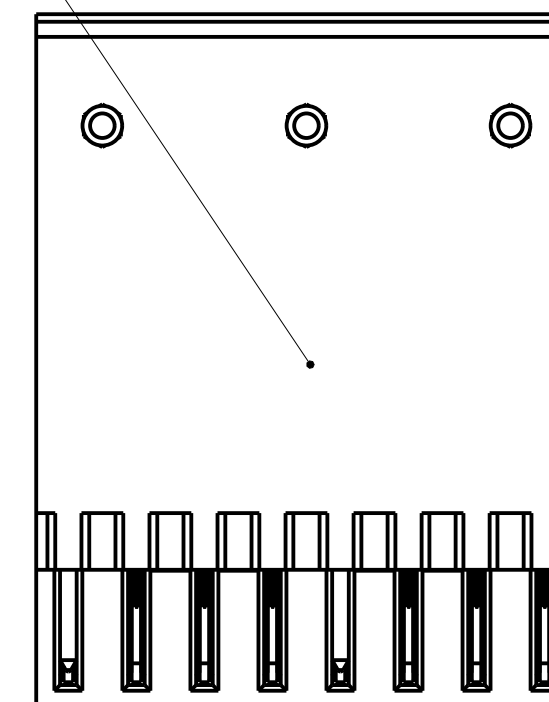
SIZE C CAGE CODE 77820 DOCUMENT NO. RVPX-PE20815XX REV. B

SCALE: 3/1 REF. RVPX-P08VXX SHEET 1 OF 2

VERSION 2
 REVISION B
 Eng PDM Information For Reference Only
 SHEET 1 OF 2
 DOCUMENT NO. RVPX-PE20815XX



PART MARKING AS FOLLOWS
AMPHENOL 77820
'AAO PART NUMBER' (SEE TABLE 1)
'DATE CODE'
'WORK ORDER NUMBER AS LOT NUMBER'



NOTES:

THE USE OF THIS DOCUMENT IS UNLIMITED.
HOWEVER, DOCUMENTS REFERENCED HEREON
MAY CONTAIN LIMITED RIGHTS DATA.

SIZE C	CAGE CODE 77820	DOCUMENT NO. RVPX-PE20815XX	REV. B
SCALE: 3/1		REF: RVPX-P08VXX	SHEET 2 OF 2