

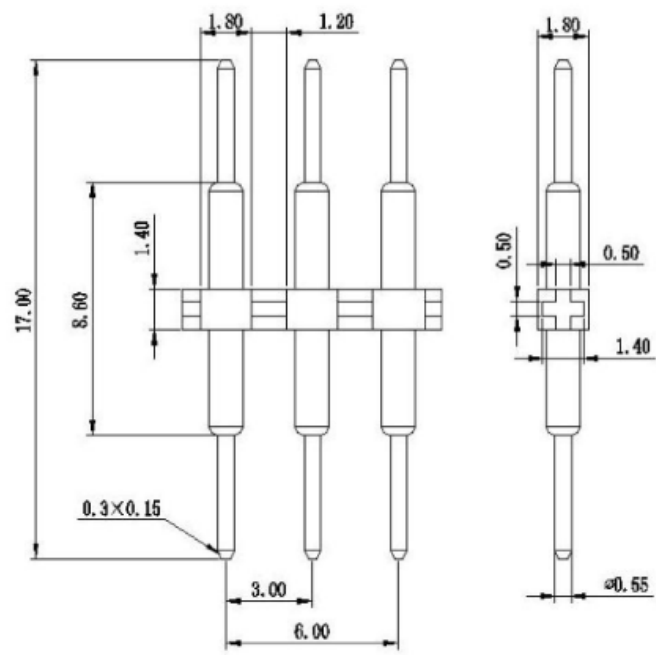
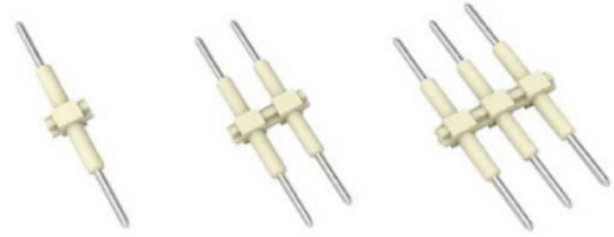
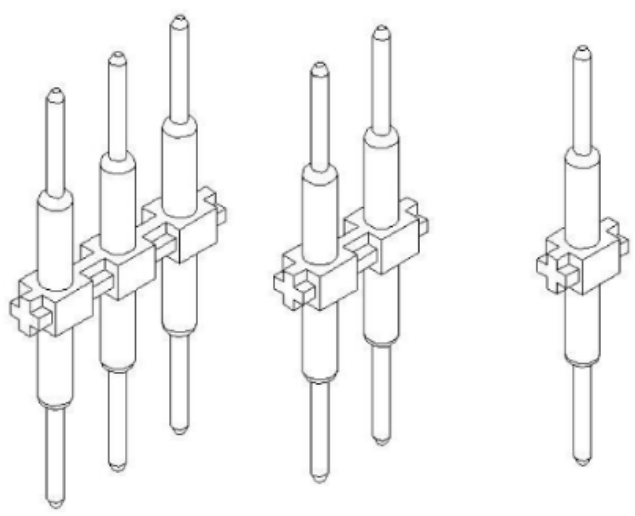
6 | 5 | 4 | 3 | 2 | 1

**MATERIAL SPECIFICATIONS:**  
 Housing: LCP  
 Contacts: Phosphor bronze, Tin plated

**ELECTRICAL SPECIFICATIONS:**  
 Rated current: 3 Amps max.  
 Rated voltage: 160V

**ENVIRONMENTAL SPECIFICATIONS:**  
 Operating Temperature: -40°C ~ +105°C

RoHS  
 COMPLIANT



NOTE: REPLACE "X" IN PART NUMBER WITH NUMBER OF POSITIONS

TOLERANCE UNLESS OTHERWISE SPECIFIED	
X	± 1
X.X	± 0.4
X.XX	± 0.13

**Power Dynamics, Inc.**  
 Phone: 973 560-0019 Whippany, New Jersey Fax: 973 560-0076

PART: 3mm PITCH JUMPERS FOR  
 PD-LTB3-XP & PD-LTB6-2P

DRAWN BY	PB	DATE:	3/27/18
CHECK BY		DATE:	
APPR BY		DATE:	

PART #:		PD-LJ3-XP	SHEET
MC: B07-1P		ALL DIMENSIONS FOR REFERENCE ONLY	1 of 1
SCALE: NTS	DIMENSIONS ARE IN MILLIMETERS		REV:

REV	DATE	CHANGE	CHK	CHK	APPR

6 | 5 | 4 | 3 | 2 | 1