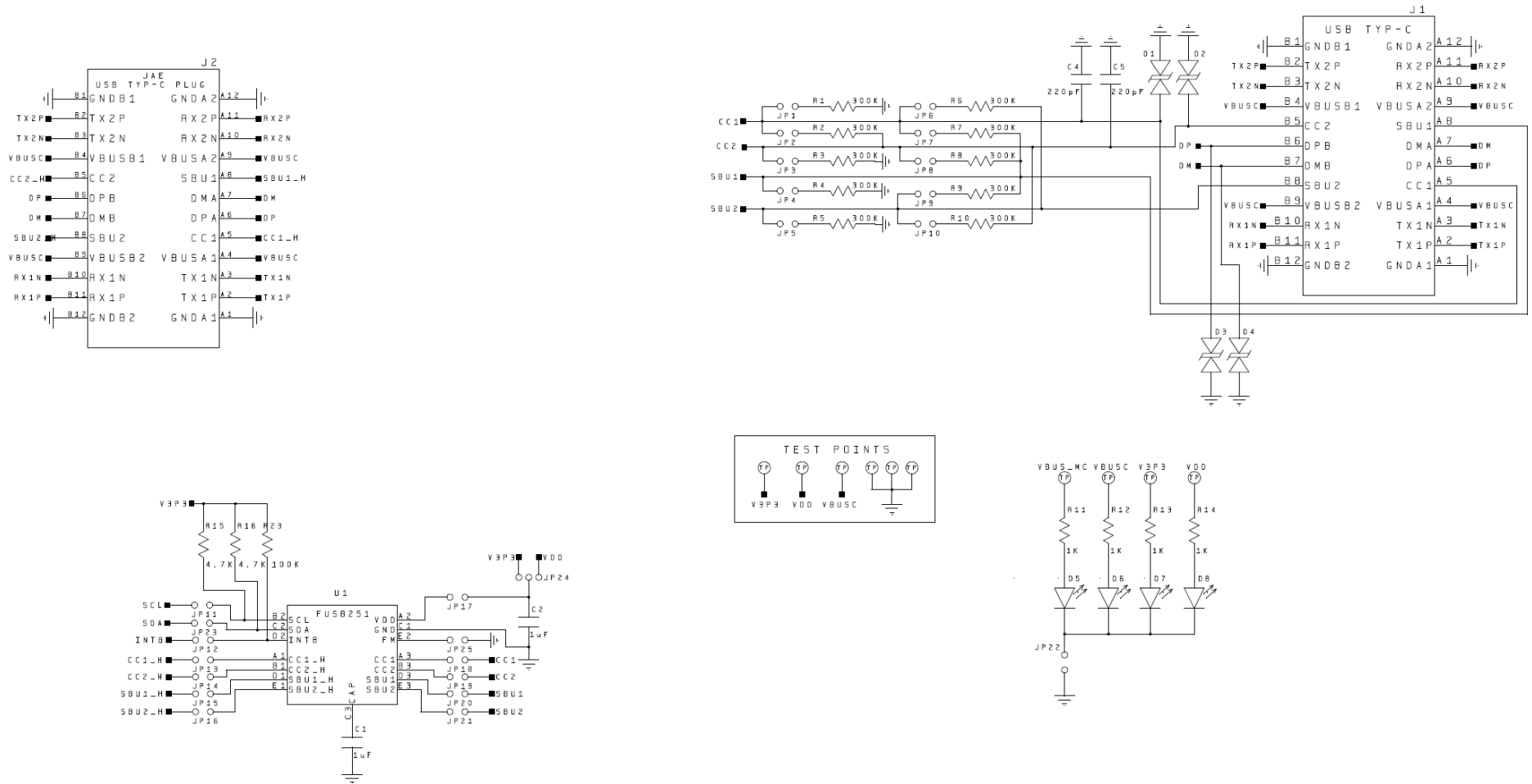
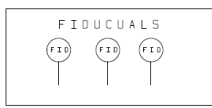
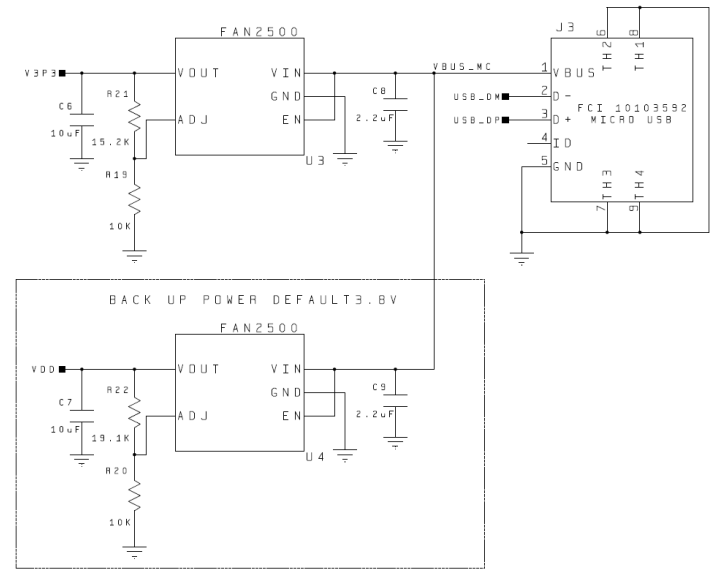
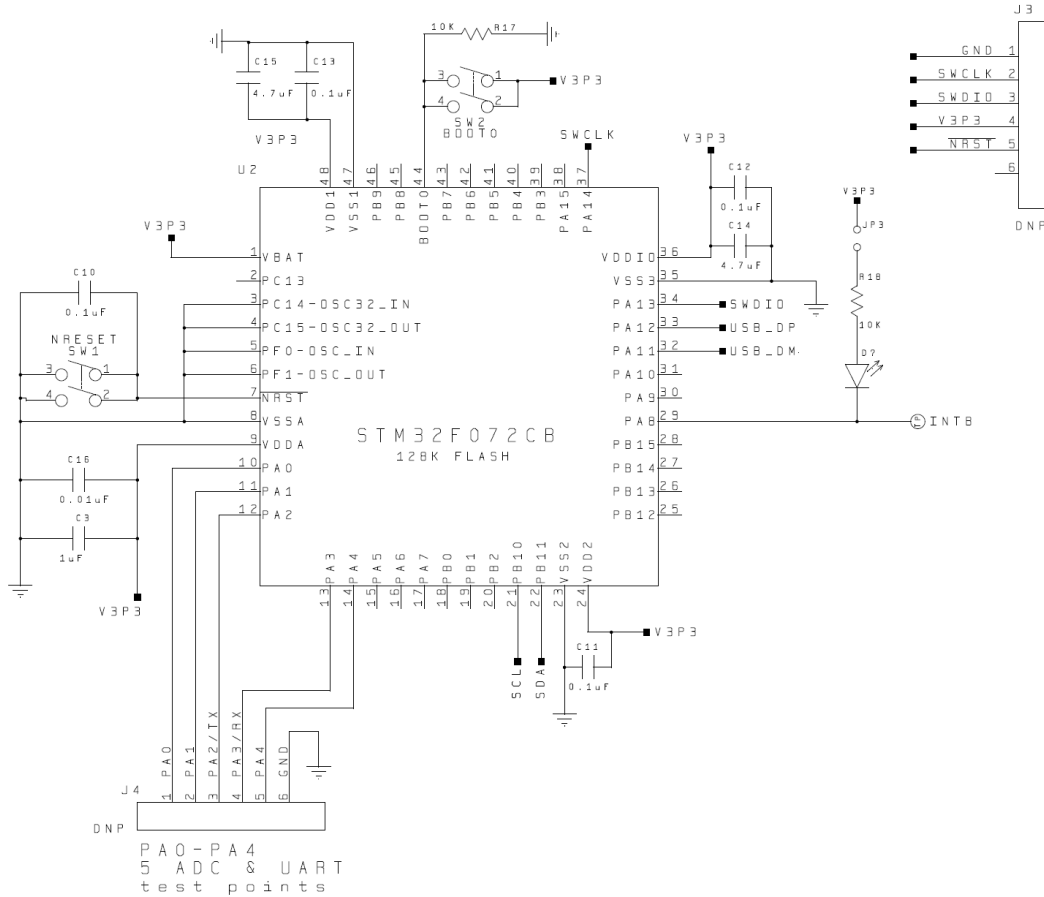



## Schematic for the FUSB251GEVB Evaluation Board





 B2 Running Hill RD, S. Portland, ME 04106	
Title FUSB251 Apps. Eval Board	
Document Number FM180502A	
Page 2 of 2	Date 06/26/18 09:32
Rev: 1.0	