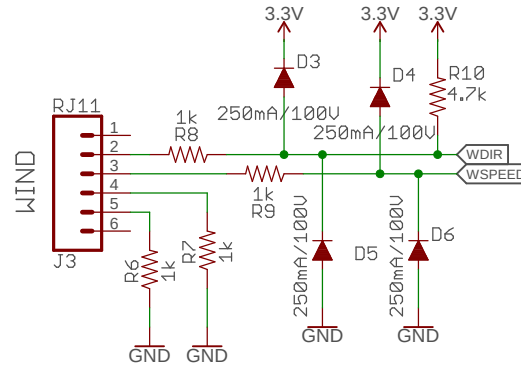
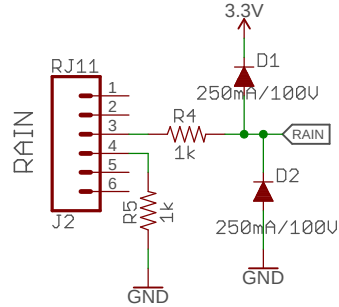
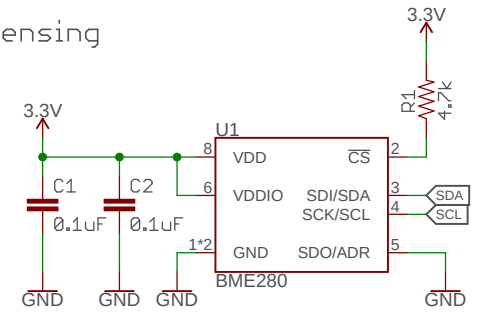


Optional Wind & Rain Sensors

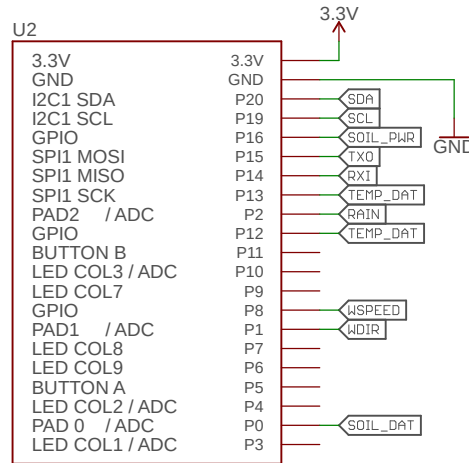


Sensing



I2C Address: 0x77

Micro:bit Connector



micro:bit

VCC RANGE: 3.3V Only to Micro:bit

| PIN | FUNCTION |
|-----|-----------|
| 20 | SDA |
| 19 | SCL |
| 16 | GPIO |
| 15 | MOSI |
| 14 | MISO |
| 13 | SCK |
| 12 | GPIO |
| 11 | BUTTON B |
| 10 | LED COL 3 |
| 9 | LED COL 7 |
| 8 | GPIO |
| 7 | LED COL 8 |
| 6 | LED COL 9 |
| 5 | BUTTON A |
| 4 | LED COL 2 |
| 3 | LED COL 1 |
| 2 | GPIO/AIN |
| 1 | GPIO/AIN |
| 0 | GPIO/AIN |

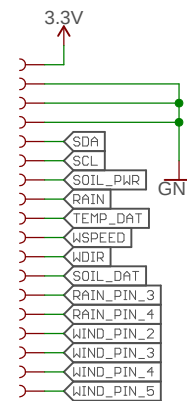
BME280 SDA
BME280 SCL
SOIL MOISTURE SENSOR POWER
TXO
RXI

TEMPERATURE DATA

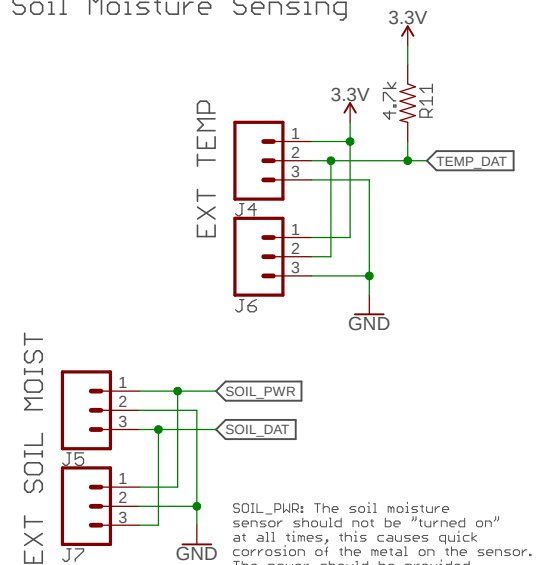
WIND SPEED

RAIN
WIND DIRECTION
SOIL MOISTURE SENSOR DATA

Testpoints



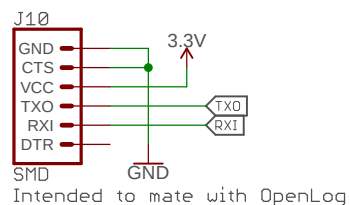
Optional External Temperature and Soil Moisture Sensing



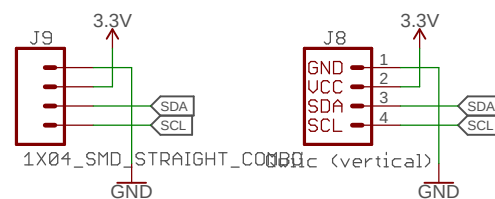
SOIL_PWR: The soil moisture sensor should not be "turned on" at all times, this causes quick corrosion of the metal on the sensor. The power should be provided intermittently from a digital I/O pin.



Serial Port



I2C Port



Released under the Creative Commons

Attribution Share-Alike 4.0 License

<https://creativecommons.org/licenses/by-sa/4.0/>

TITLE: weather-bit

Design by: Mary West, Based on the Weather Shield Design by Nathan Seidle

Revised By: Pete Lewis

REV:

v12

Date: 1/28/2020 11:23 AM

Sheet: 1/1