

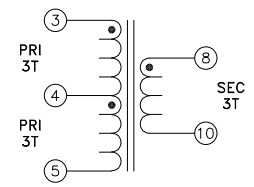
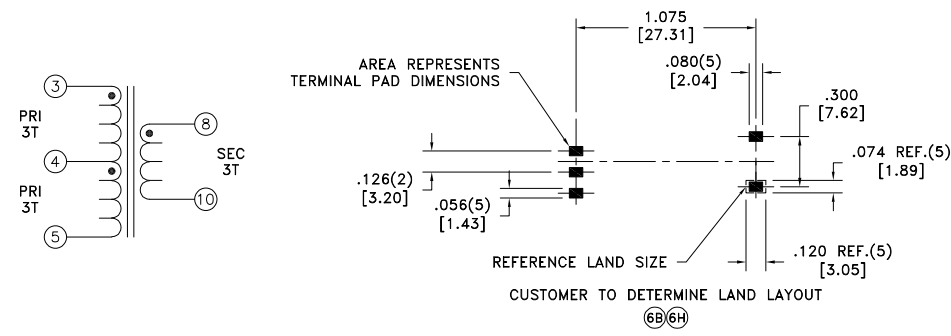
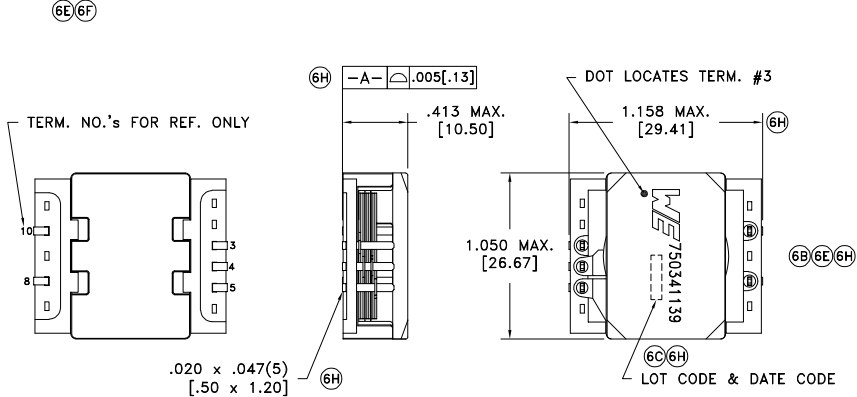
CUSTOMER TERMINAL	RoHS	LEAD(Pb)-FREE
Sn100%	Yes	Yes

more than you expect



ELECTRICAL SPECIFICATIONS @ 25°C unless otherwise noted:

PARAMETER	TEST CONDITIONS	VALUE
6H D.C. RESISTANCE	3-4 @20°C	4.0 mOhms max.
6H D.C. RESISTANCE	4-5 @20°C	4.0 mOhms max.
6H D.C. RESISTANCE	8-10 @20°C	4.0 mOhms max.
6E INDUCTANCE	3-5 100kHz, 100mVAC, Ls	145.0uH min.
6H LEAKAGE INDUCTANCE	3-5 tie(8+10), 100kHz, 100mVAC, Ls	300nH max.
6E DIELECTRIC	3-8 2250VDC, 1 second	-
6H TURNS RATIO	(8-10):(3-4)	1:1
6H TURNS RATIO	(8-10):(4-5)	1:1



GENERAL SPECIFICATIONS:

OPERATING TEMPERATURE RANGE: -40°C to +125°C including temp rise.

6G VOLTAGE-TIME: 120VuS

REV.	DATE	Packaging Specifications	
6H	1/23	Method: Tape & Reel	
6G	2/22	PKG-0793	
6F	4/20	www.we-online.com/midcom	
6E	5/14	SEE REVISION SHEET FOR REVISION LEVEL	

Tolerances unless otherwise specified:
 Angles: ±1° Decimals: ±.005 [.13]
 Fractions: ±1/64 Footprint: ±.005 [.13]

This drawing is dual dimensioned. Dimensions in brackets are in millimeters.

DRAWING TITLE
TRANSFORMER

eiSos p/n: 750341139

PART NO.
750341139

SPECIFICATION SHEET 1 OF 1

