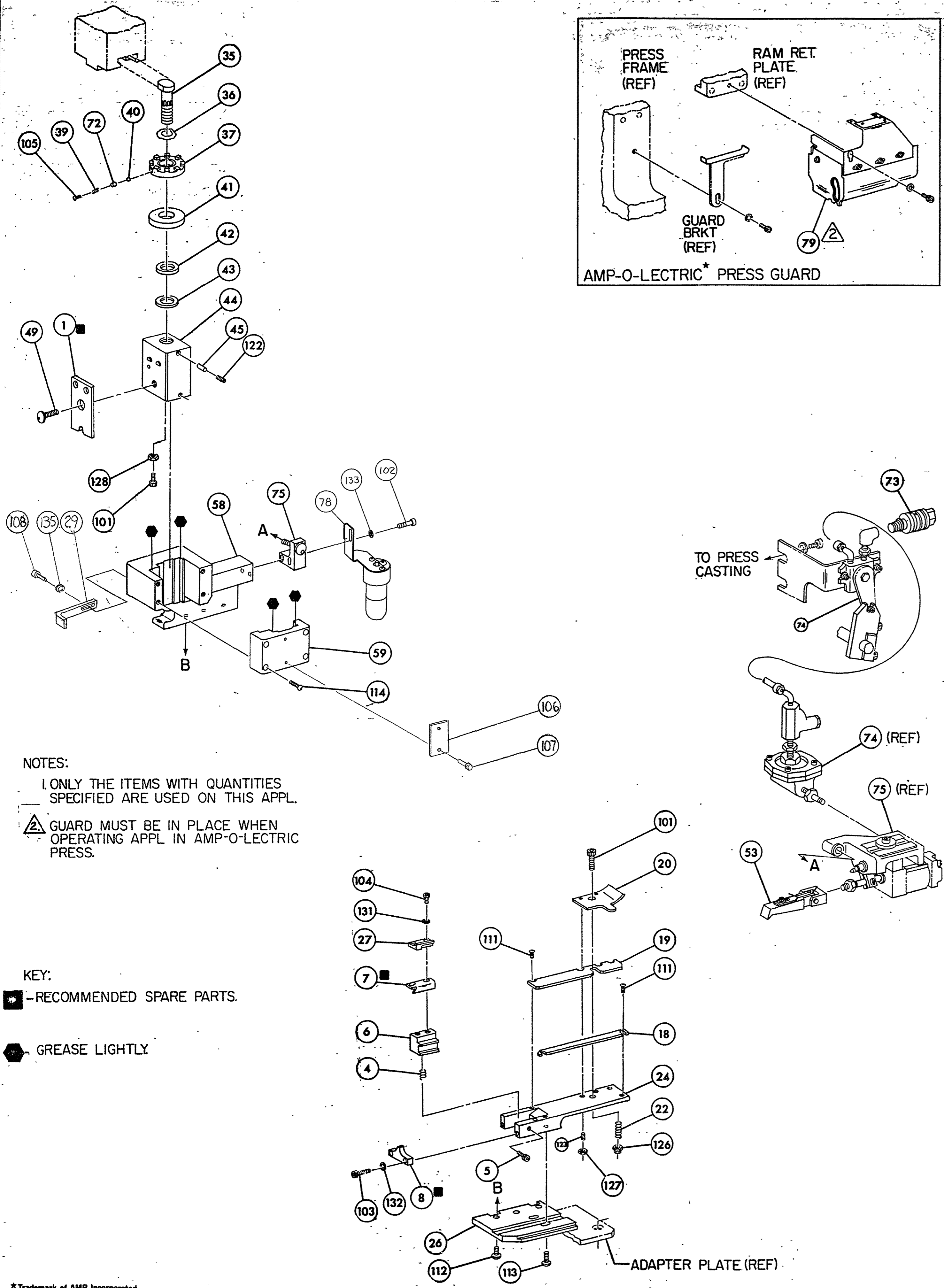


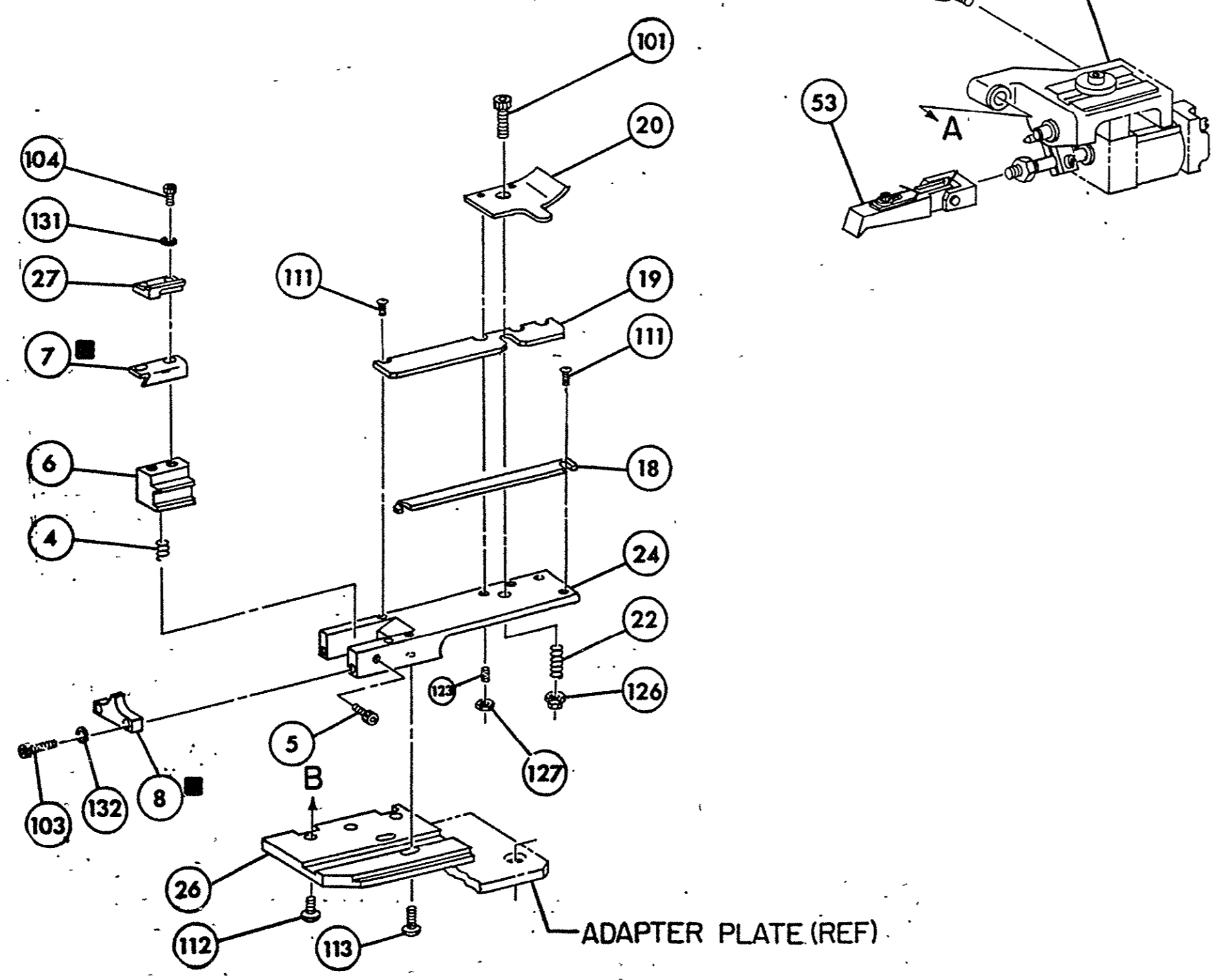
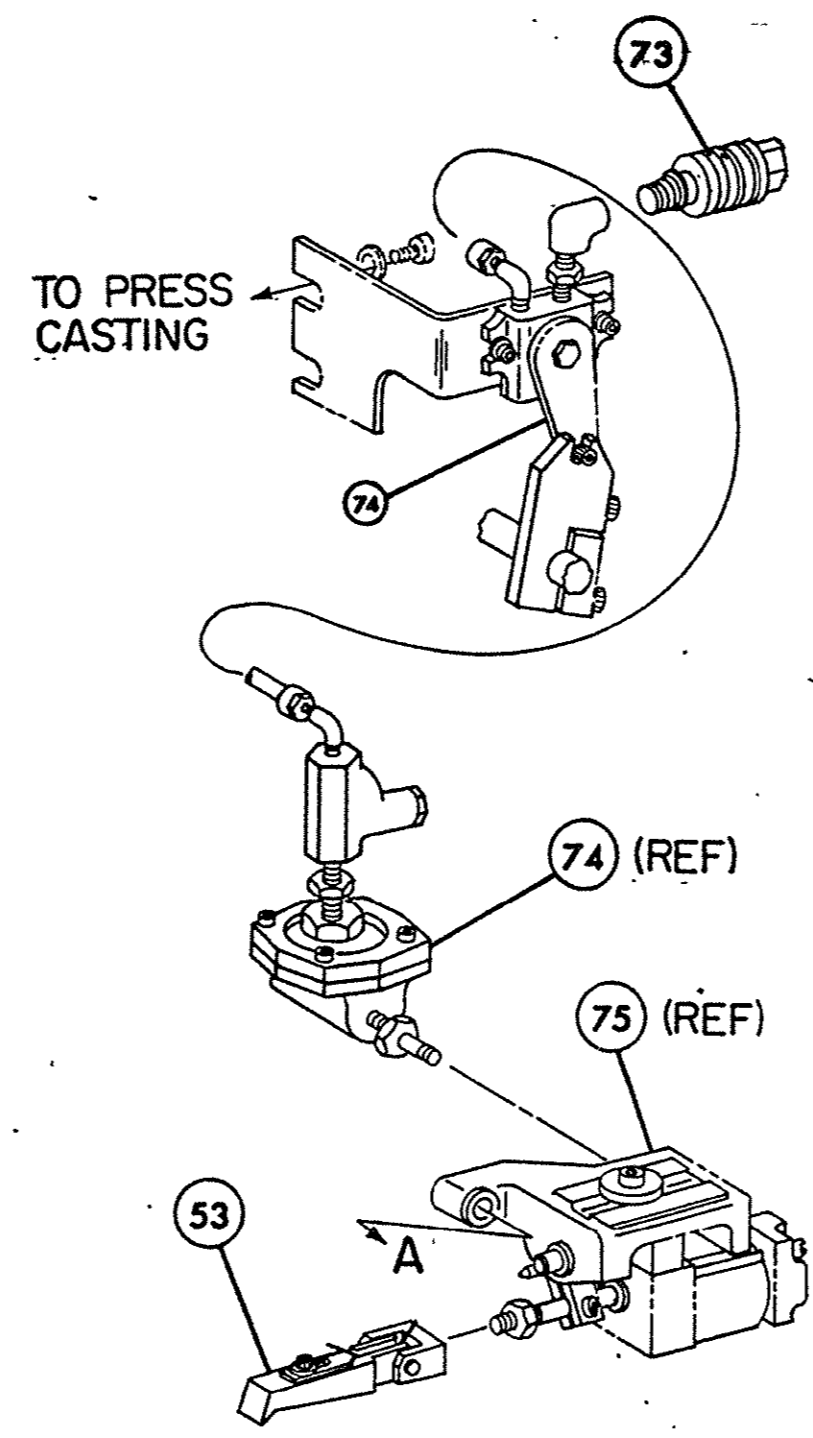
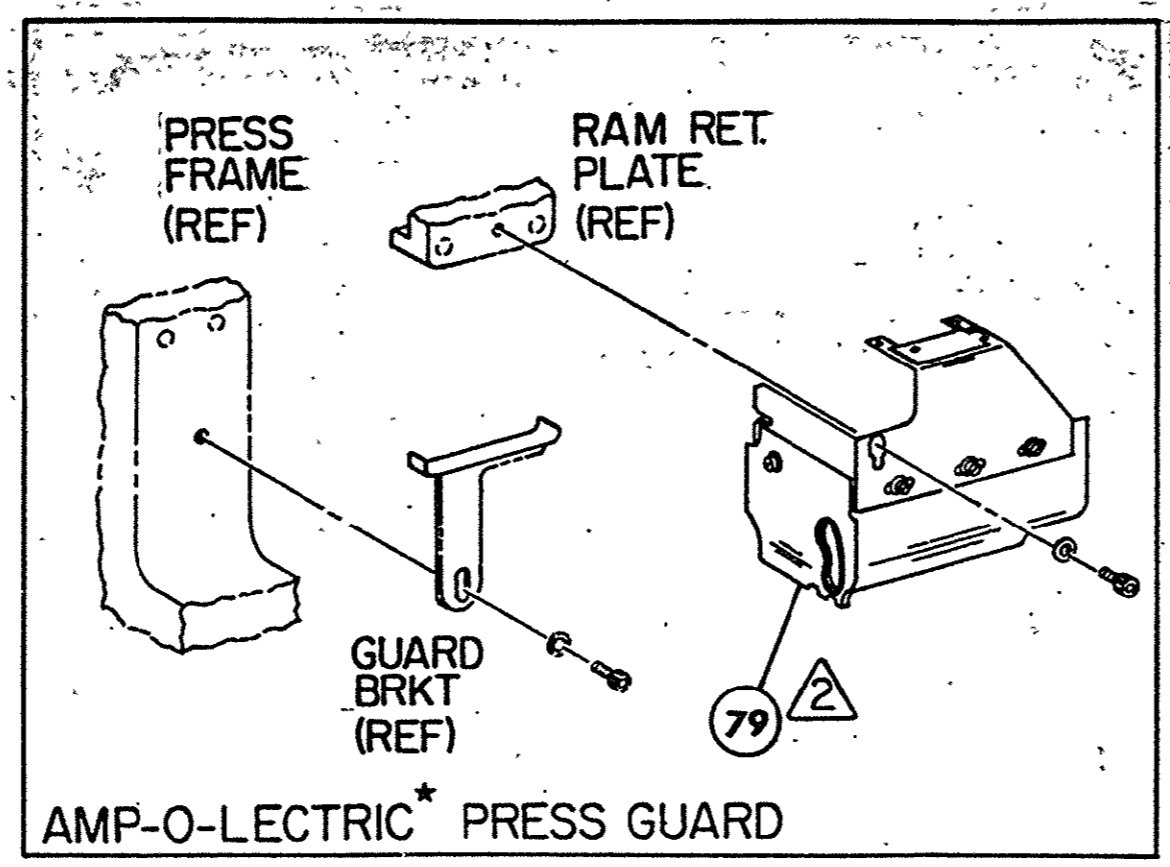
THIS IS A CONTROLLED DOCUMENT.



NOTES:
 1. ONLY THE ITEMS WITH QUANTITIES SPECIFIED ARE USED ON THIS APPL.
 2. GUARD MUST BE IN PLACE WHEN OPERATING APPL IN AMP-O-LECTRIC PRESS.

KEY:
 - RECOMMENDED SPARE PARTS.
 - GREASE LIGHTLY

AMP 3559
 *Trademark of AMP Incorporated



QTY	PART NO	DESCRIPTION	ITEM NO																	
			145																	
			144																	
			143																	
			142																	
			141																	
			140																	
			139																	
4	21899-2	WASHER, FLAT (NO 6) STRIP GUIDES	138																	
			137																	
			136																	
2	1-21899-3	WASHER, FLAT (#3) STRIPPER	135																	
			134																	
2	21024-5	WASHER, LOCK (NO 10) AIR FEED ASSY	133																	
2	21024-4	WASHER, LOCK (NO 8) ANVIL	132																	
2	21024-3	WASHER, LOCK (NO 6) STRIPPER & SHEAR	131																	
			130																	
			129																	
1	21019-1	NUT, HEX MACH (1/4-20) RAM	128																	
2	21018-6	NUT, HEX MACH (8-32) DRAG ADJ SCREWS	127																	
1	21022-4	NUT, HEX SELF-LKG (1/4-20) DRAG STUD	126																	
			125																	
			124																	
2	5-21061-5	SCR, SKT SET CONE POINT (8-32 X .88) DRAG	123																	
1	21009-2	SCR, SKT SET (1/4-20 X 25) (LOC-WEL) RAM	122																	
1	5-21008-4	SCR, SKT SET (10-32 X .50) (LOC-WEL) RAM	121																	
			120																	
			119																	
			118																	
			117																	
			116																	
			115																	
4	2-21002-9	SCR, BTN HD SKT CAP (10-32 X .75) HSG CAP	114																	
2	3-21002-3	SCR, BTN HD SKT CAP (1/4-20 X .50) STR GDE PL	113																	
3	2-22733-8	SCR, BTN HD SKT CAP (1/4-20 X .62) BASE PL	112																	
4	1-21002-6	SCR, BTN HD SKT CAP (6-32 X .25) STRIP GUIDES	111																	
			110																	
			109																	
2	2-21000-6	SCR, SHC (8-32 X .38) STRIPPER	108																	
2	21017-2	SCR, DRIVE (#2 X .19) I. D. PLATE	107																	
1	464249-1	PLATE, IDENTIFICATION	106																	
1	23030-1	SCR, SKT HD CAP (6-32 X .25) (LOC-WEL) C.P. DISC	105																	
2	2-21000-0	SCR, SKT HD CAP (6-32 X .50) STRIPPER & SHEAR	104																	
2	2-21000-9	SCR, SKT HD CAP (8-32 X .75) ANVIL	103																	
2	3-21000-9	SCR, SKT HD CAP (10-32 X 1.00) AIR FEED ASSY	102																	
2	21001-7	SCR, SKT HD CAP (1/4-20 X 1.25) DRAG & RAM	101																	
1	463924-1	GUARD ASSY	79																	
1	465184-9	LUBRICATOR ASSY	78																	
REF	852931-2	OIL, LUBRICATING	77																	
1	454406-1	SPACER, LUB-BRACKET	76																	
1	460277-1	AIR FEED ASSY	75																	
1	692655-1	AIR FEED VALVE ASSY - 692655-5	74																	
1	24042-2	VALVE, SHUT-OFF	73																	
1	690603-1	SPRING, ASSIST	72																	
			71																	
			70																	
			69																	
			68																	
			67																	
			66																	
			65																	
			64																	
			63																	
			62																	
			61																	
			60																	
			59																	
			58																	
			57																	
			56																	
			55																	
			54																	
			53																	
			52																	
			51																	
			50																	
			49																	
			48																	
			47																	
			46																	
			45																	
			44																	
			43																	
			42																	
			41																	
			40																	
			39																	
			38																	
			37																	
			36																	
			35																	
			34																	
			33																	
			32																	
			31																	
			30																	
			29																	
			28																	
			27																	
			26																	
			25																	
			24																	
			23																	
			22																	
			21																	
			20																	
			19																	
			18																	
			17																	
			16																	
			15																	
			14																	
			13																	
			12																	
			11																	
			10																	
			9																	
			8																	
			7																	
			6																	
			5																	
			4																	
			3																	
			2																	
			1																	
QTY	PART NO	DESCRIPTION	ITEM NO																	
			145																	
			144																	
			143																	
			142																	
			141																	
			140																	
			139																	
			138																	
			137																	
			136																	
			135																	
			134																	
			133																	
			132																	
			131																	
			130																	
			129																	
			128																	
			127																	
			126																	
			125																	
			124																	
			123																	
			122																	
			121																	
			120																	
			119																	
			118																	
			117																	
			116																	
			115																	
			114																	
			113																	
			112																	
			111																	
			110																	
			109																	
			108																	
			107																	
			106																	
			105																	
			104																	
			103																	
			102																	
			101																	
			79																	
			78																	
			77																	
			76																	
			75																	
			74																	
			73																	
			72																	
			71																	
			70																	
			69																	
			68																	
			67																	
			66																	
			65																	
			64																	
			63																	
			62																	
			61																	
			60																	
			59																	
			58																	
			57																	
			56																	
			55																	
			54																	
			53																	
			52																	
			51																	
			50																	
			49																	
			48																	
			47																	
			46																	
			45																	
			44																	
			43																	
			42																	
			41																	
			40																	
			39																	
			38																	
			37																	
			36																	
			35																	
			34																	
			33																	
			32																	
			31																	
			30																	
			29																	
			28																	
			27																	
			26																	
			25																	
			24																	
			23																	
			22																	
			21																	
			20																	
			19																	
			18																	
			17																	
			16																	
			15																	
			14																	
			13																	
			12																	
			11																	
			10																	
			9																	
			8																	
			7																	
			6																	
			5																	
			4																	
			3																	
			2																	
			1																	
CRIMPING DATA	APPLICATOR WILL APPLY																			
PAD LTR	CRIMP HEIGHT	WIRE SIZE	WIRE STRIP LENGTH																	
A	.072	14		634321																
B	NOT USED																			
C	.062	16																		
D	.054	18																		
CRIMP	SIZE	TYPE	FEED	APPL INST																
WIRE	.090	F																		
INSUL			.300	A) 8039																
WIRE RANGE	INSULATION RANGE	PRESS NO																		
18-14		565435-5																		
REMARKS AMP-O-LECTRIC																				
<table border="1"> <tr> <td>REMARKS</td> <td>NO</td> <td>REV</td> </tr> <tr> <td>APPL USED ON MACHINE PART NO</td> <td>MACH SERIAL NO</td> <td>DISTRIBUTION</td> </tr> <tr> <td>CUSTOMER NAME</td> <td>APPL SERIAL NO</td> <td>ORIGINAL</td> </tr> <tr> <td>ADDRESS</td> <td>PURCHASE ORDER</td> <td>CUSTOMER COPY</td> </tr> <tr> <td>CITY</td> <td>ENG APP</td> <td>FIELD ENG COPY</td> </tr> </table>					REMARKS	NO	REV	APPL USED ON MACHINE PART NO	MACH SERIAL NO	DISTRIBUTION	CUSTOMER NAME	APPL SERIAL NO	ORIGINAL	ADDRESS	PURCHASE ORDER	CUSTOMER COPY	CITY	ENG APP	FIELD ENG COPY	
REMARKS	NO	REV																		
APPL USED ON MACHINE PART NO	MACH SERIAL NO	DISTRIBUTION																		
CUSTOMER NAME	APPL SERIAL NO	ORIGINAL																		
ADDRESS	PURCHASE ORDER	CUSTOMER COPY																		
CITY	ENG APP	FIELD ENG COPY																		
<table border="1"> <tr> <td>REVISION RECORD</td> <td>APP DATE</td> <td>PIF</td> <td>LTR</td> <td>REVISION RECORD</td> <td>APP DATE</td> <td>PIF</td> <td>LTR</td> </tr> <tr> <td></td> <td></td> <td></td> <td></td> <td></td> <td></td> <td></td> <td></td> </tr> </table>					REVISION RECORD	APP DATE	PIF	LTR	REVISION RECORD	APP DATE	PIF	LTR								
REVISION RECORD	APP DATE	PIF	LTR	REVISION RECORD	APP DATE	PIF	LTR													
<table border="1"> <tr> <td>SET UP GAGE</td> <td>10-1</td> </tr> <tr> <td>DR 4-23-87</td> <td>APP</td> </tr> <tr> <td>J.E. BEATH</td> <td>REL</td> </tr> <tr> <td>CHK 4-23-87</td> <td>REL</td> </tr> <tr> <td>2-27-90</td> <td>REL</td> </tr> <tr> <td>REV PER ECN R-7586</td> <td>APP</td> </tr> <tr> <td>8-10-87</td> <td>APP</td> </tr> </table>					SET UP GAGE	10-1	DR 4-23-87	APP	J.E. BEATH	REL	CHK 4-23-87	REL	2-27-90	REL	REV PER ECN R-7586	APP	8-10-87	APP		
SET UP GAGE	10-1																			
DR 4-23-87	APP																			
J.E. BEATH	REL																			
CHK 4-23-87	REL																			
2-27-90	REL																			
REV PER ECN R-7586	APP																			
8-10-87	APP																			
<table border="1"> <tr> <td>LOC</td> <td>D</td> <td>NO</td> <td>567231-2</td> <td>REV</td> <td>E</td> </tr> </table>					LOC	D	NO	567231-2	REV	E										
LOC	D	NO	567231-2	REV	E															
<table border="1"> <tr> <td>NAME</td> <td>MINIATURE QUICK CHANGE APPLICATOR</td> </tr> <tr> <td>END FEED (THRU SPLICE)</td> <td></td> </tr> </table>					NAME	MINIATURE QUICK CHANGE APPLICATOR	END FEED (THRU SPLICE)													
NAME	MINIATURE QUICK CHANGE APPLICATOR																			
END FEED (THRU SPLICE)																				
CUSTOMER AND ASSEMBLY DRAWING																				

THIS DRAWING IS UNPUBLISHED BY AMP INCORPORATED. ALL RIGHTS RESERVED. COPYRIGHT 1988

AMP 3559