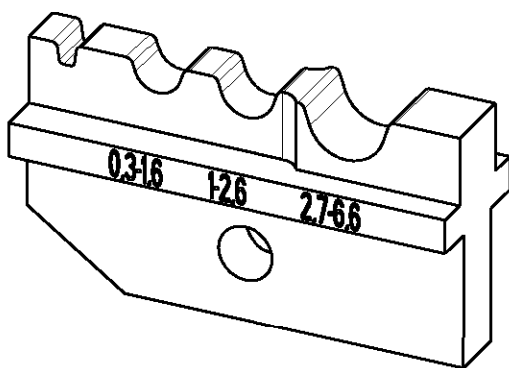
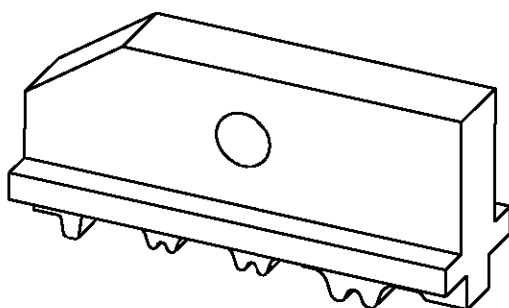


LOC	DIST	REVISIONS						
		P	LTR	DESCRIPTION	DATE	DWN	APVD	
A1	-		A	-		04FEB2002	-	-

Kontakt Serie	DGB (mm ²)	Betriebsanl.
Contact family	Wire Range	Instr. Sheet
Solistrand	0.3-1.6	411-18115
	1.0-2.6	
	2.7-6.6	



539662-2	1	8-539634-5	screw M4x11	Schraube M4x11	A
	1	0-519151-9	screw M4x10	Schraube M4x10	A
	QTY	PN	Description	Benennung	REV
	Stck				

19

RELEASED FOR PUBLICATION

THIS DRAWING IS UNPUBLISHED.

BY TYCO ELECTRONICS CORPORATION. ALL RIGHTS RESERVED.

© COPYRIGHT 19

DIMENSIONS:		DWN	07FEB2000	MATERIAL	FINISH				
mm-DIN 7168-m		D. Reissig		-	-				
TOLERANCES UNLESS OTHERWISE SPECIFIED:		CHK	07FEB2000	AMP tyco Electronics AMP GmbH D - 64625 Bensheim					
0 PLC ±		U. Reuter							
1 PLC ±		APVD	-	NAME ERGOCRIMP Die Set for Solistrand -					
2 PLC ±		PRODUCT SPEC	-						
3 PLC ±		APPLICATION SPEC	-	SIZE	CAGE CODE	DRAWING NO	RESTRICTED TO		
4 PLC ±		WEIGHT	-	A4	00779	©=539662-2	-		
ANGLES ±									
		CUSTOMER DRAWING		SCALE	2:1	SHEET	1 OF 1	REV	A