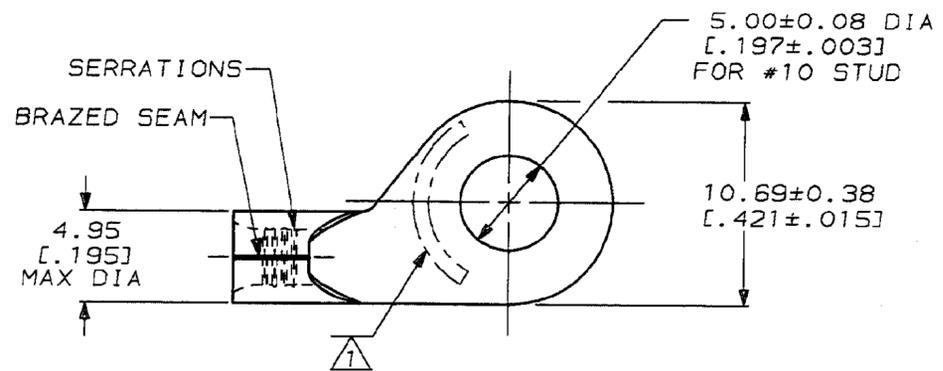


DRAWING MADE IN THIRD ANGLE PROJECTION
 THIS DRAWING IS UNPUBLISHED. RELEASED FOR PUBLICATION .19
 © COPYRIGHT 19 BY AMP INCORPORATED. ALL INTERNATIONAL RIGHTS RESERVED.

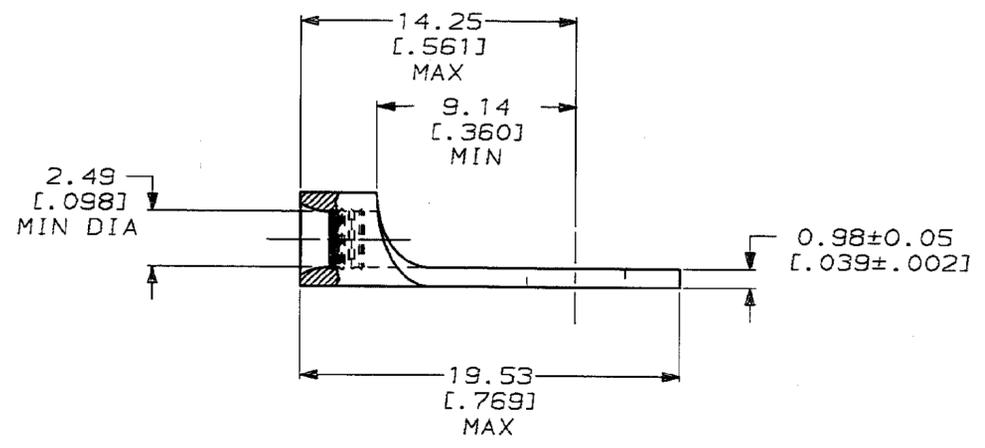
LOC	DIST	P	F	ZONE	LTR	DESCRIPTION	DATE	APPD
G	14					H REV & REDRAWN PER 0720-0104-93	7/1/93	OK DAP

METRIC
 DIMENSIONS LISTED IN mm [INCHES]



AMP WIRE RANGE	E13288 Listed
14-12 AWG SOLID OR STRANDED	14-12 AWG STRANDED
LR7189 Certified	MILITARY P/N AND CLASS
14-12 AWG SOLID OR STRANDED	NOT APPLICABLE

- ① STAMP AMP 14-12* APPROX AS SHOWN
- ② MEETS EQUIVALENT REQUIREMENTS OF ASTM B-152
- ③ MEETS EQUIVALENT REQUIREMENTS OF MIL-T-10727



34488

AMP INCORPORATED CUSTOMER SERVICE SYSTEMS		MAX RECOMMENDED OPERATING TEMPERATURE: 170°C MAX		DO NOT SCALE PRINT. UNLESS SPECIFIED DIMENSIONS IN mm [INCHES] TOLERANCES ON: 2 PLC DEC ± - 3 PLC DEC ± - ANGLES ± -		DR 6-17-93 TA BRINKMAN CHK 6-17-93 DA PATTERSON APPD 6-17-93 DE MILLER APPD 6-17-93 JL MECKLEY PRODUCT SPEC - APPLICATION SPEC - WEIGHT -		AMP AMP Incorporated Harrisburg, PA 17105-3508	
		FOR ADDITIONAL PRODUCT INFORMATION OR COPIES OF DRAWINGS AND TECHNICAL DOCUMENTS PRODUCT INFORMATION CENTER 1-800-522-6752		VOLTAGE RATING: NOT APPLICABLE		MATERIAL COPPER PER AMP SPEC 100-2 ANNEALED ①		NAME TERMINAL, RING TONGUE, OFFSET, SOLISTRAND™, SPECIAL	
FOR APPLICATION TOOLING INFORMATION TOOLING ASSISTANCE CENTER 1-800-722-1111		WIRE CROSS SECTIONAL AREA RANGE: 1.65-4.17mm² [3,260-8,230] CIR MILS SOLID OR STRANDED		FINISH TIN PLATE ② 0.00254[.000100] MIN THK PER AMP SPEC 112-16		SIZE C 00779		DRAWING NO C-34488	
FOR ORDER ENTRY 1-800-526-5142		THIS DRAWING IS A CONTROLLED DOCUMENT FOR AMP INCORPORATED. IT IS SUBJECT TO CHANGE AND THE CONTROLLING ENGINEERING ORGANIZATION SHOULD BE CONTACTED FOR THE LATEST REVISION.		SCALE 4:1		SHEET 1 OF 1		PART NO 34488	