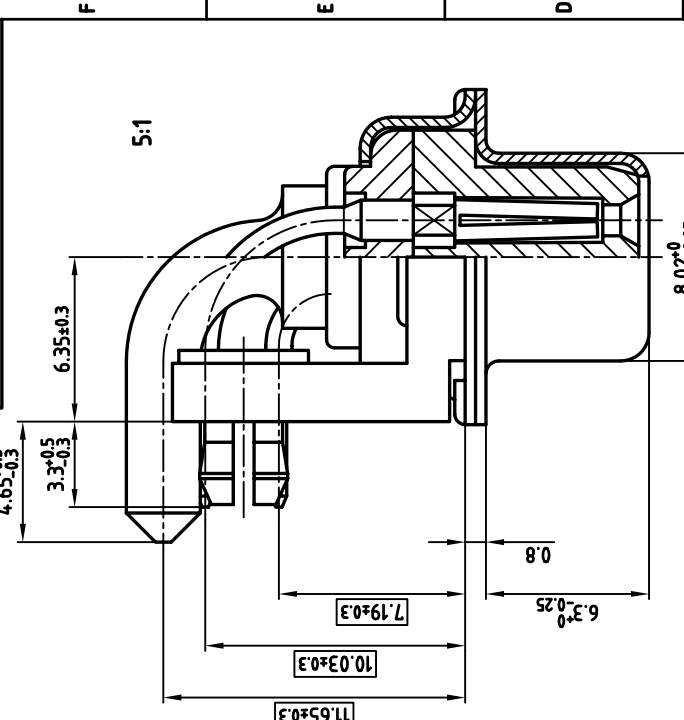


used for: D-SUB COMBINATION



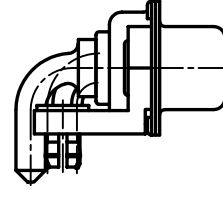
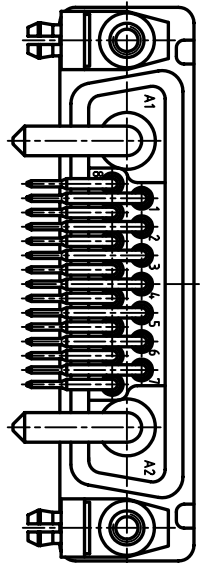
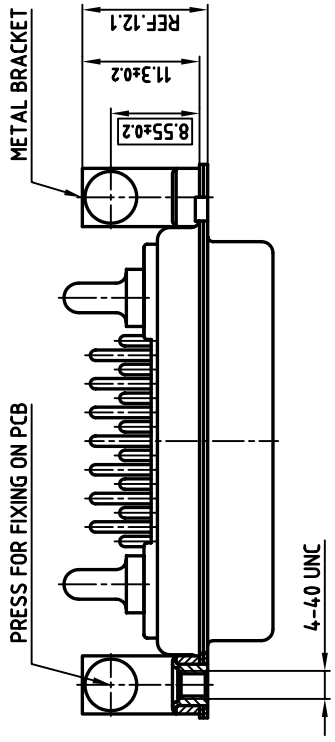
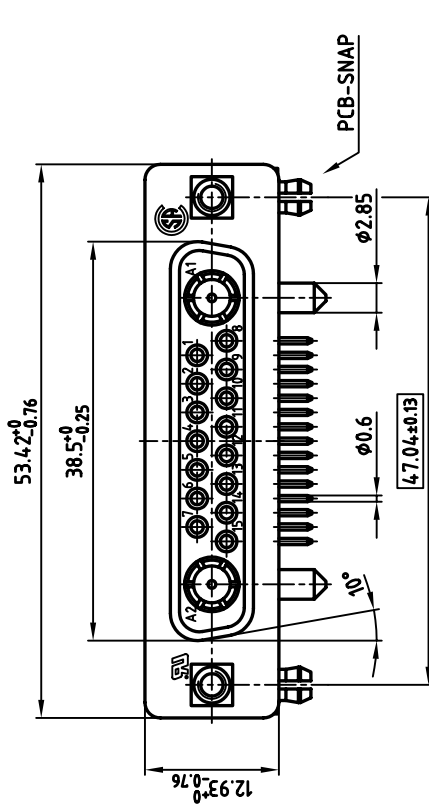
NOTES:

1. METAL SHELLS: STEEL; min. 320µ" TIN
2. INSULATORS: PBT GF UL 94 V-0, GREEN
3. SIGNAL CONTACTS: COPPER ALLOY
4. PLATING: min. 30µ" HARD GOLD OVER min. 50µ" NICKEL
5. HIGH POWER CONTACTS 20A: COPPER ALLOY
6. PLATING: min. 30µ" HARD GOLD OVER min. 50µ" NICKEL
7. METAL BRACKET: STEEL; min. 320µ" TIN over 80µ" NICKEL
8. THREADED INSERT: COPPER ALLOY; min. 200µ" TIN over 80µ" NICKEL
9. PCB-SNAP: COPPER ALLOY; min. 200µ" TIN over 80µ" NICKEL
PCB-HOLE: $\phi 3.1 \pm 0.1$; PCB THICKNESS 1.6mm
10. P.C.B. HOLE DRILLINGS ON SHEET 2
11. MAXIMUM TORQUE VALUE FOR THREAD: 6" LBS
12. = CRITICAL DIMENSION: SPC



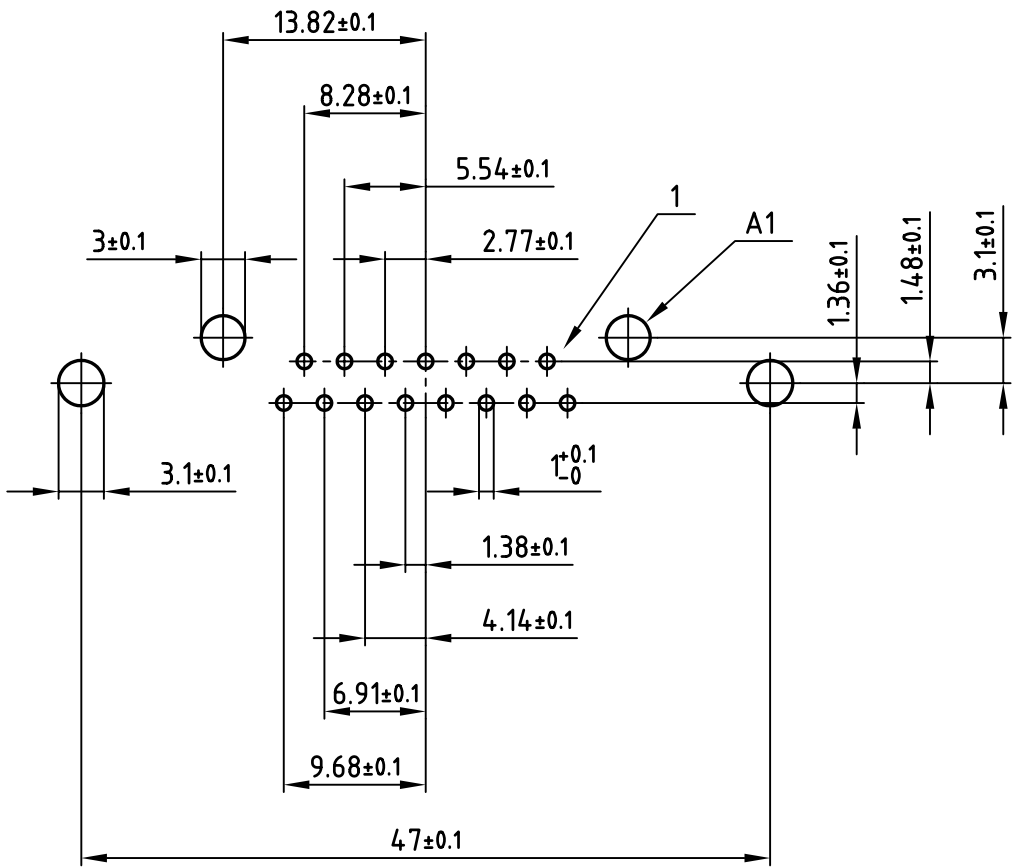
tolerance		scale: 2:1		material: SEE NOTES	
2001	date	name	title:		
drawn	22.08.	Parrel	D-SUB COMBINATION FEMALE 90°		
appd.	22.08.	E. Mickenbecker	17W2S 0.318inch		
norm			with threaded insert, metal bracket and clip		
d-old			AutoCAD 2000 DIN-A		
rev. description		date		name	
CONEC®					
dwg no:		13K1A320A		sh:1/2	
part no:		3017W2SCT56N40X			

THIS DRAWING MAY NOT BE COPIED OR REPRODUCED IN ANY WAY, AND MAY NOT BE PASSED ON TO A THIRD PARTY WITHOUT WRITTEN PERMISSION.
OWNERSHIP AND COPYRIGHT OF CONEC GMBH DO NOT ALTER CAD DRAWING BY HAND



1 2 3 4 5 6 7 8

used for: D-SUB COMBINATION



THIS DRAWING MAY NOT BE COPIED OR REPRODUCED IN ANY WAY, AND MAY NOT BE PASSED ON TO A THIRD PARTY WITHOUT WRITTEN PERMISSION.
 OWNERSHIP AND COPYRIGHT OF CONEC GmbH
DO NOT ALTER CAD DRAWING BY HAND

			tolerance	
2001	date	name		
drawn	22.08.	Parei		
appd.	22.08.	E. Mickenbecker		
norm				
d-old				
CONEC®				
rev.	description	date	name	

scale:	2:1
material:	SEE SHEET 1
title:	P.C.B. HOLE DRILLINGS FOR D-SUB COMBINATION FEMALE 90° 17W2S with threaded insert, metal bracket and clip
dwg no:	AutoCAD 2000
part no:	SEE SHEET 1
DIN-A	4
sh:	2/2

F
E
D
C
B
A

F
E
D
C
B
A

4 3 2 1

4 3 2 1