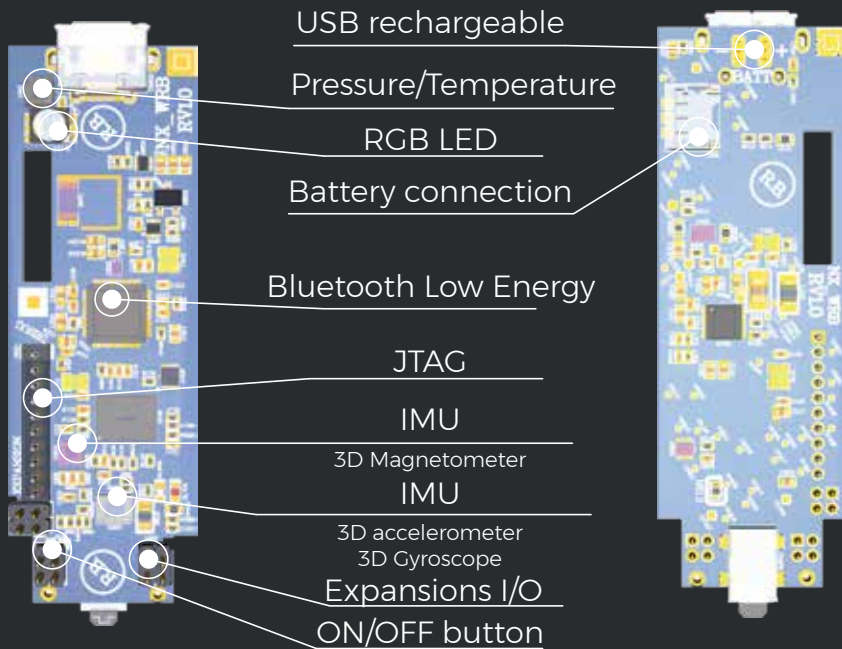


## PRODUCT OVERVIEW



- USB rechargeable
- Pressure/Temperature
- RGB LED
- Battery connection
- Bluetooth Low Energy
- JTAG
- IMU
- 3D Magnetometer
- IMU
- 3D accelerometer
- 3D Gyroscope
- Expansions I/O
- ON/OFF button

**SMALL SIZE**



# THE TACTIGON™

WEARABLE ARDUINO WIRELESS WITH MOTION SENSOR

## TECHNICAL DETAILS

Data Memory	16 Kb EEPROM + 80 Kb RAM
Code Memory	512Kb Flash
Battery	Li-Ion Rechargeable
IMU	3 axis Accelerometer
	3 axis Gyroscope
	3 axis Magnetometer
Sensors	Temperature
	Pressure
Connectivity	Bluetooth Low Energy
	Micro USB
Additional Shields*	SIGFOX
	LoRa
	GPS
I/Os	GPIOs, UART
Dimensions (mm)	46.9 x 15.2 x 5.5
Programming Language	Arduino / C

*\*Will be available*

THE TACTIGON, a NEXT INDUSTRIES brand

