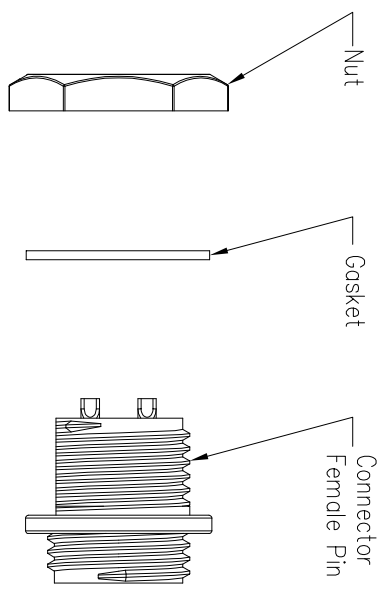
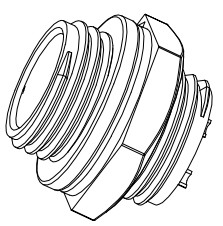
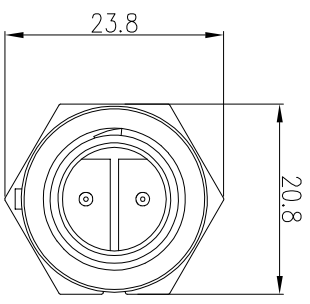
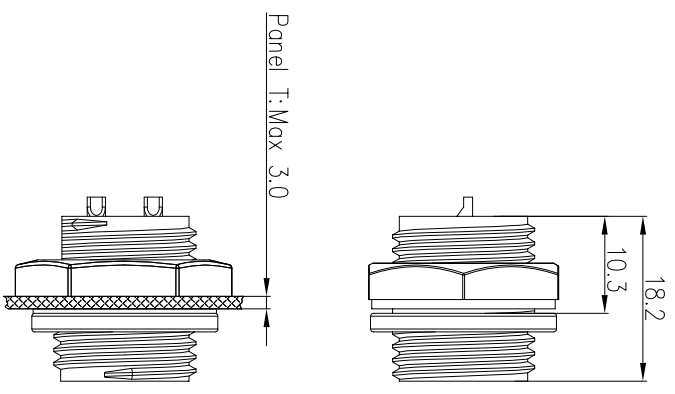
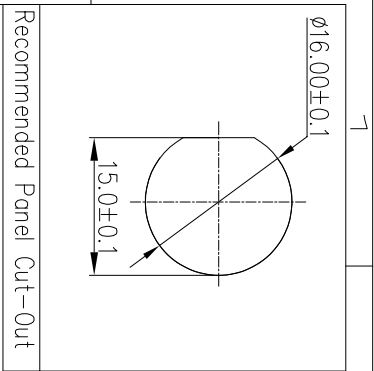
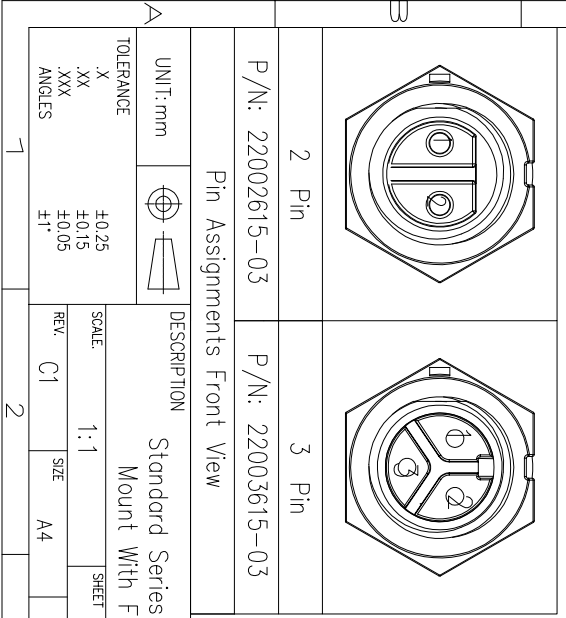


| REV. | EN. NO. | DESCRIPTION | SIGN | DATE |
|------|---------|-----------------|------|------------|
| C1 | N/A | INITIAL DRAWING | Liu | 2019/08/13 |



- Specification:
1. Operation Temperature: $-45^{\circ}\text{C} \sim 105^{\circ}\text{C}$.
 2. Insulation Resistance: $100\text{M}\Omega$ at DC500V.
 3. Contact Resistance: $<10\text{m}\Omega$.
 4. Withstand Voltage: 2000V AC
 5. Operating Current: 10A
 6. Operating Voltage: AC 300V
 7. Waterproof Rate: IP67 (Mated)
 8. Housing: Nylon, Black
 9. Female Pin: Copper Alloy, Gold Plated
 10. Gasket: Silicon Gray
 11. Panel Nut: Nylon, Black
 12. Torque Rate: $0.8 \sim 1.0\text{N} \cdot \text{m}$
 13. RoHS Compliant.
 14. UL Compliant.
 15. Mating Cap P/N: 806-00030-00



| UNIT: mm | DESCRIPTION |
|----------|--|
| | Standard Series Screw Rear Mount With Female Pin |
| | |

| TOLERANCE | SCALE: | SHEET | OF |
|---|--------|-------|----|
| .X XX .XXX ANGLES | 1:1 | 1 | 1 |
| ± 0.25 ± 0.15 ± 0.05 $\pm 1^{\circ}$ | | | |

| REV | SIZE | * : Inspection Item |
|-----|------|---------------------|
| C1 | A4 | |

| PART NO | DRAWN BY | DATE |
|--------------|-------------|------|
| 22XXXX615-03 | | |
| DWG NO | CHECKED BY | DATE |
| | | |
| CUSTOMER | APPROVED BY | DATE |
| | | |