

4

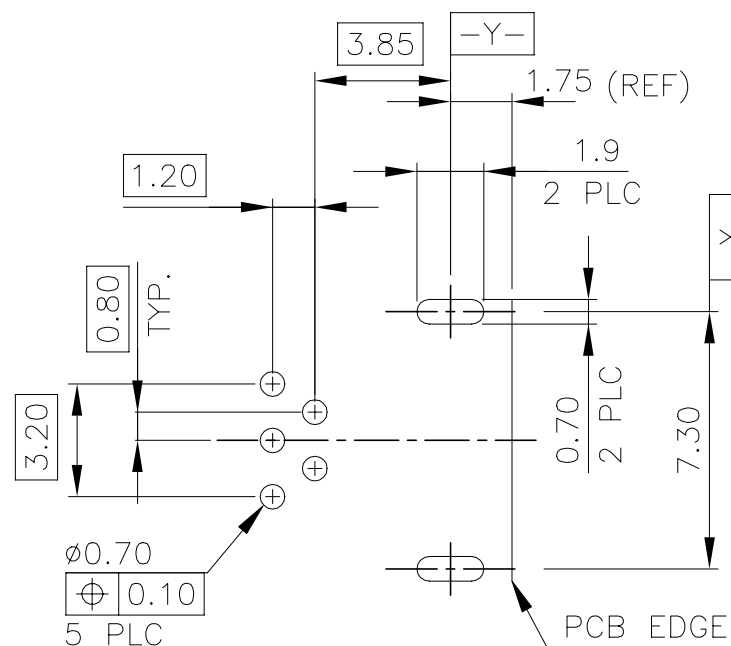
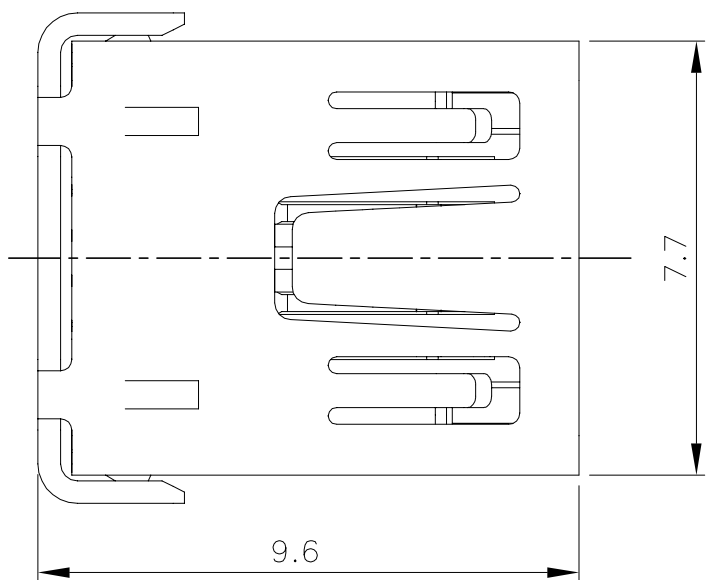
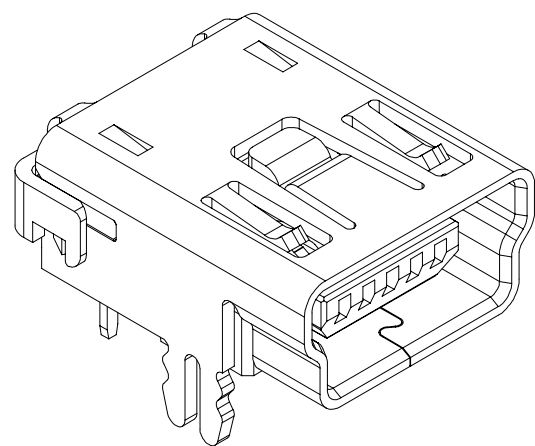
3

2

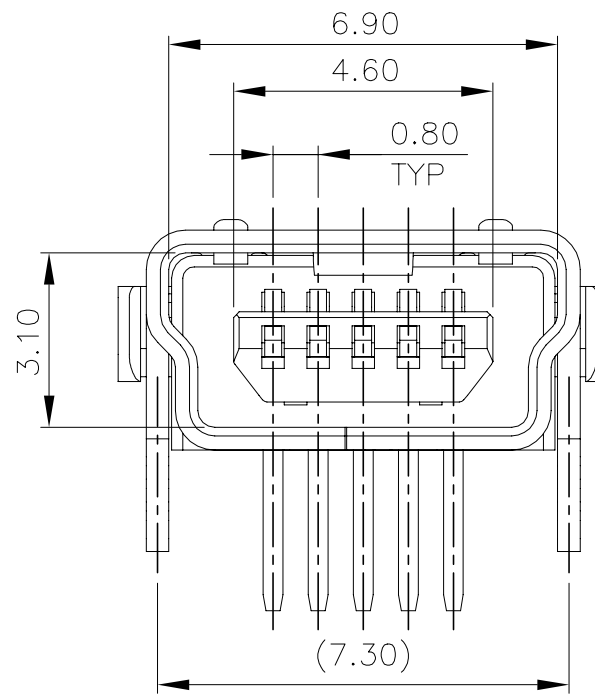
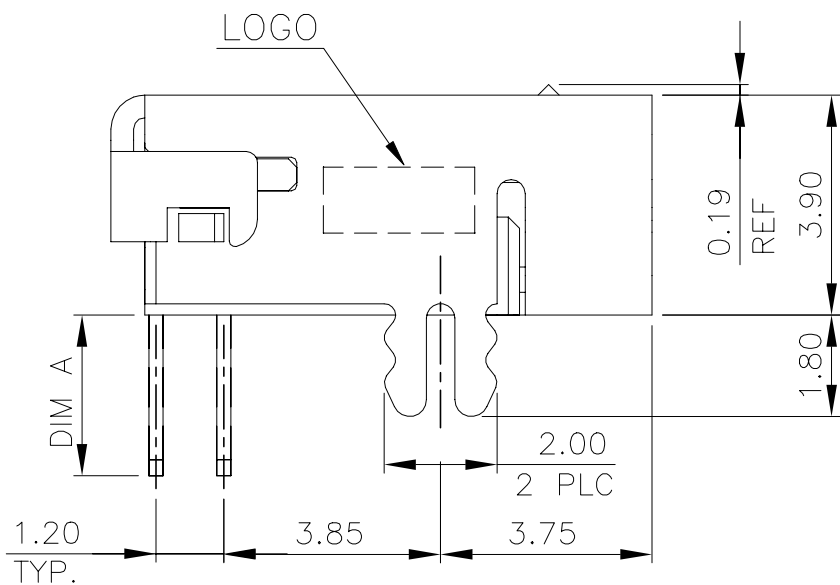
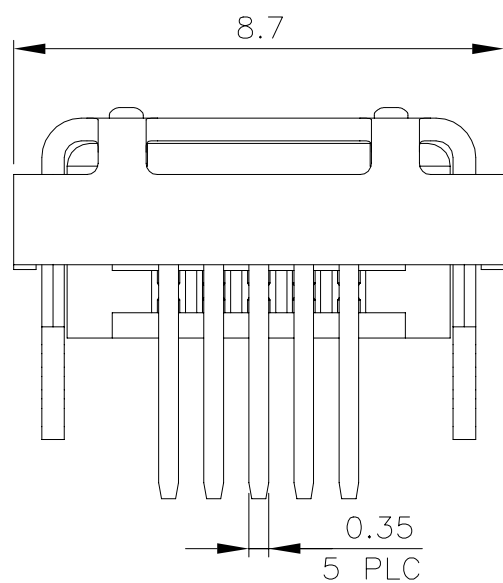
1

THIS DRAWING IS UNPUBLISHED. RELEASED FOR PUBLICATION AUG ,2006.  
 © COPYRIGHT BY TYCO ELECTRONICS CORPORATION. ALL RIGHTS RESERVED.

LOC	DIST	REVISIONS			
P	LTR	DESCRIPTION	DATE	DWN	APVD
DW	/	D	REVISED AS PER ECN-22-176158	26JUL2022	HS SZ



RECOMMENDED PCB LAYOUT (THICKNESS: 1.6MM)  
 (DIMENSION TOLERANCE: 1 PLC: ±0.1 2PLC: ±0.05)



3.25	⚠	PBT	1-1734510-1
2.55	⚠	PBT	1734510-3
2.85	⚠	PA9T	1734510-2
2.85	⚠	PBT	1734510-1
DIM A	SOLERING PROCESS	HOUSING MATERIAL	PART NUMBER

NOTE:

- MATERIAL:  
HOUSING: (SEE TABLE) WITH 30% GF, UL 94V-0, COLOR BLACK.  
CONTACT: PHOSPHOR BRONZE, THICKNESS: 0.25mm.  
SHIELD: PHOSPHOR BRONZE, THICKNESS: 0.40mm.
- FINISH:  
CONTACT: GOLD FLASH OVER 0.762um [30u"] MIN. PALLADIUM-NICKEL OR ALTERNATIVE 0.762um [30u"] MIN. GOLD PLATED ON CONTACT AREA, 2.54um [100u"] MIN. MATTE TIN PLATED ON SOLDERTAILS, 1.27um [50u"] MIN. NICKEL UNDERPLATED ALL OVER.  
SHIELD: 0.762um [30u"] MIN. MATTE TIN OVER 1.27um [50u"] MIN. Ni. UNDERPLATED ALL OVER.

- ⚠ WAVE SOLDER CAPABLE TO 240°C. PER TE SPEC 109-202, CONDITION A.
- ⚠ WAVE SOLDER CAPABLE TO 265°C PER TE SPEC 109-202, CONDITION B.

THIS DRAWING IS A CONTROLLED DOCUMENT.		DWN S. CHIEN 20JAN2009		TE Connectivity	
DIMENSIONS: MM		CHK S. CHIEN 20JAN2009			
TOLERANCES UNLESS OTHERWISE SPECIFIED:		APVD W. KODAMA 20JAN2009		NAME	
0 PLC ± 0.5 1 PLC ± 0.35 2 PLC ± 0.25 3 PLC ± 0.15 4 PLC ± - ANGLES ± 3°		PRODUCT SPEC		MINI USB CONN., RCPT R/A, DIP, B TYPE	
MATERIAL SEE NOTE		FINISH SEE NOTE		QUALIFICATION TEST REPORT	
		WEIGHT 0.62 GRAMS		501-57070	
		CUSTOMER DRAWING		A3 00779 C=1734510	
		SCALE -		SHEET 1 OF 2	
		REV D			

4

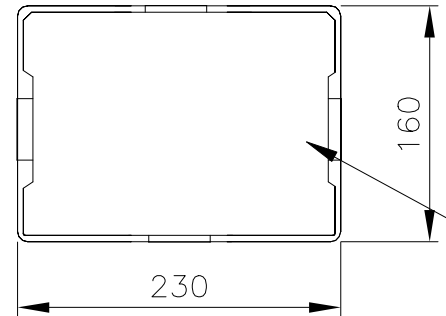
3

2

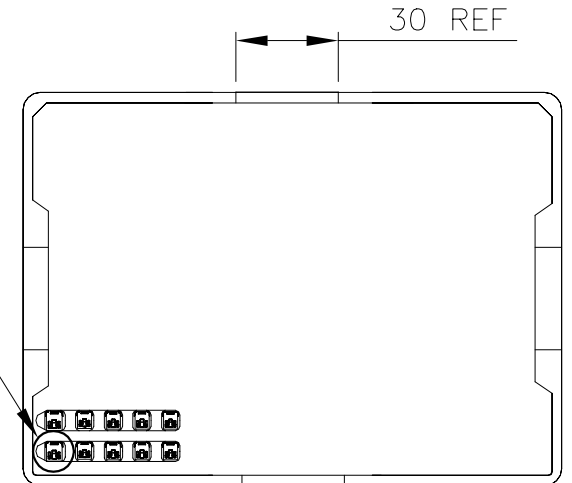
1

THIS DRAWING IS UNPUBLISHED. RELEASED FOR PUBLICATION AUG ,2006.  
 © COPYRIGHT BY TYCO ELECTRONICS CORPORATION. ALL RIGHTS RESERVED.

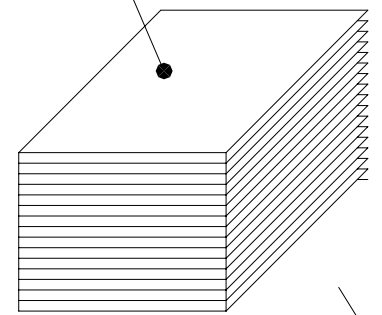
LOC	DIST	REVISIONS			
P	LTR	DESCRIPTION	DATE	DWN	APVD
		SEE SHEET 1.			



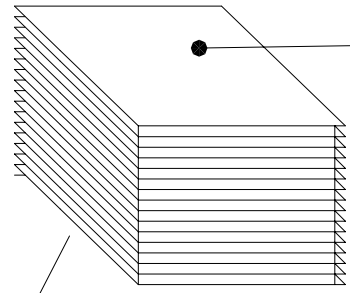
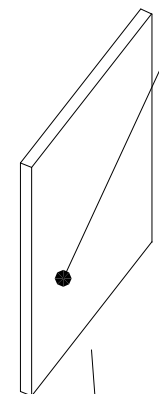
TARY  
 TOTAL: 95 PCS.  
 NET WEIGHT: 3.50 KGS.



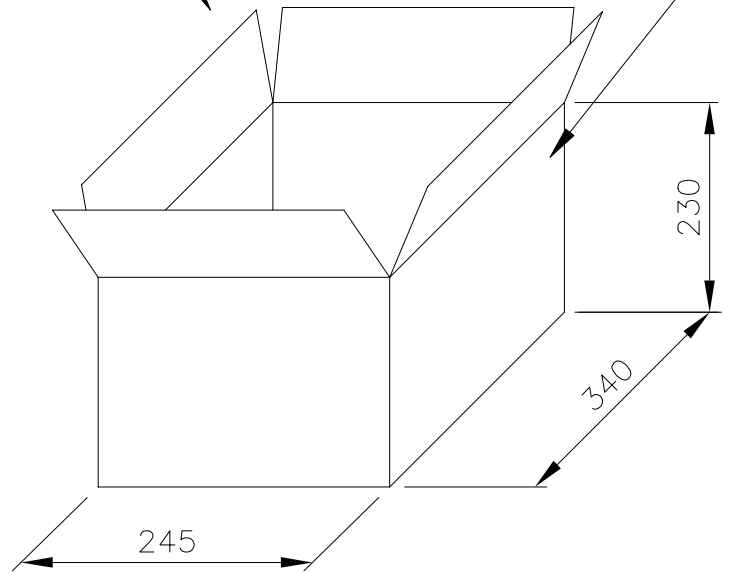
HEIGHT : 8mm



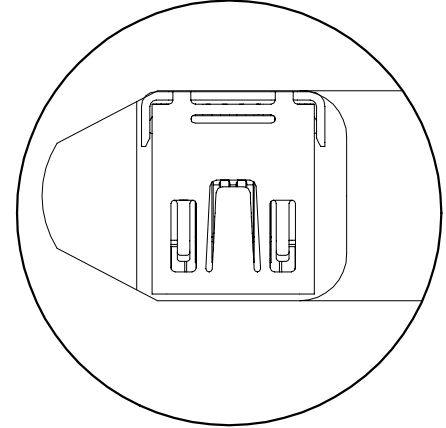
PAPER BOARD



PVC



CARTON  
 TOTAL: 4370 PCS.  
 GROSS WEIGHT: 6.20 KGS.



THIS DRAWING IS A CONTROLLED DOCUMENT.

DIMENSIONS:	TOLERANCES UNLESS OTHERWISE SPECIFIED:
MM	
0 PLC	± -
1 PLC	± -
2 PLC	± -
3 PLC	± -
4 PLC	± -
ANGLES	± -

MATERIAL	FINISH
----------	--------

DWN	CHK	APVD
PRODUCT SPEC	APPLICATION SPEC	WEIGHT
CUSTOMER DRAWING		

<b>STE</b> TE Connectivity			
NAME MINI USB CONN., RCPT R/A, DIP, B TYPE			
SIZE	CAGE CODE	DRAWING NO	RESTRICTED TO
A3	00779	C-1734510	-
SCALE		SHEET	REV
-		2 of 2	D