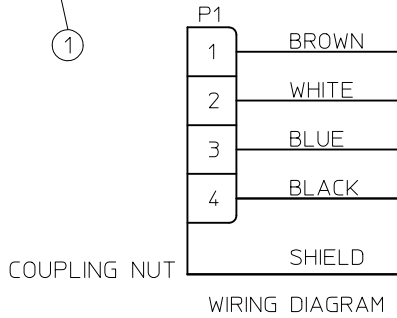
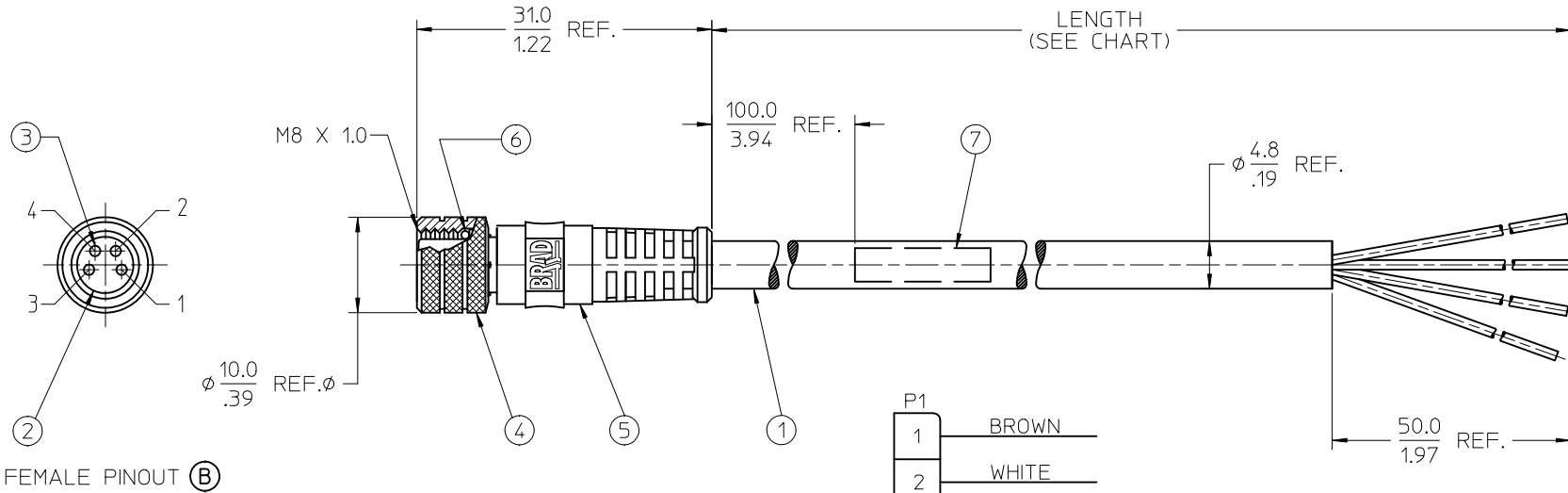


10	9	8	7
MATERIAL NO.	ENGINEERING NO.	LENGTH	
1200865360	0807 041KF 10600	10M ±30mm (32.8 FT ±1.18)	
1200868400	0807 041KF 25600	25M ±30mm (82.0 FT ±1.18)	



NOTES:

1. MATERIAL: SEE TABLE
2. FINISHES: SEE TABLE
3. ELECTRICAL SPECIFICATIONS:
VOLTAGE RATING: 60 VAC, 75V DC
CURRENT RATING: 4 AMPS

CUSTOMER PRODUCTION APPROVAL
 APPROVED BY: _____
 DATE: _____
 MUST BE SIGNED AND RETURNED BEFORE
 PRODUCTION WILL BEGIN.

SALES DRAWING

7	1	WRAP LABEL	PLASTIC FILM	BLACK/YELLOW
6	1	O-RING	FPM (VITON)	RED
5	1	OVERMOLD	TPU	BLACK
4	1	COUPLING NUT, FEMALE THREAD	BRASS	NICKEL PLATED
3	4	CONTACT SOCKET	Cu ALLOY	GOLD PLATED
2	1	INSERT, 4 POLE	PUR	BLACK
1	1	CABLE, 4 X 24 AWG	PUR JACKET	BLACK (MATTE)
ITEM	QTY.	DESCRIPTION	MATERIAL	FINISH

REV'D PINOUT EC NO: WNA2012-0033 DR: WNRSTONE 2011/07/18 CHK'D: RUPERT 2011/07/19 APPR: JF MURPHY 2011/08/05	QUALITY SYMBOLS	GENERAL TOLERANCES (UNLESS SPECIFIED)	DIMENSION STYLE	SCALE	DESIGN UNITS	THIRD ANGLE PROJECTION
	▼=0 ▽=0	mm INCH 4 PLACES ± --- ± --- 3 PLACES ± --- ± --- 2 PLACES ± --- ± .010 1 PLACE ± 0.3 ± --- ANGULAR ± 2 °	MM/IN	2:1	METRIC	
		DRAFT WHERE APPLICABLE MUST REMAIN WITHIN DIMENSIONS	DRAWN BY DATE RSTONE 2011/03/15 CHECKED BY DATE B. RUPERT 2011/03/21 APPROVED BY DATE JFMURPHY 2011/07/15	TITLE M8S-4P-FE-STR-PURSDH-10M		
			MATERIAL NO. SEE CHART SIZE B	MOLEX INCORPORATED DOCUMENT NO. SD-120086-255		SHEET NO. 1 OF 1