

MATERIAL NUMBER

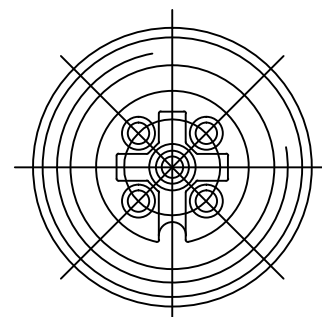
OLD PART NUMBER

FINISHED LENGTH

120067-8334

8830P8H09M010

3.28' +2.19" -0 [1.0M +55.6mm -0]



Ø.57" [14.5] REF.

M12x1

FINISHED LENGTH
(SEE CHART)

4.00" [102.0] REF.

1.84" [46.7] REF.

1.22" [31.0] REF.

PRINTING OR LABEL

1.19" [30.2] REF.

M12x1

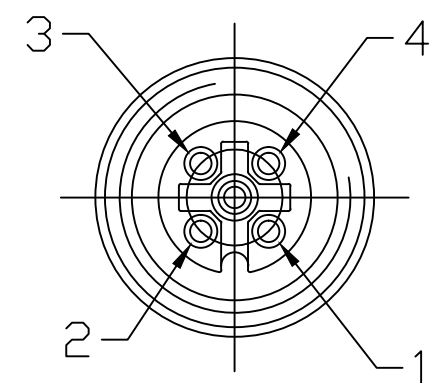
Ø.57" [14.5] REF.

8830P8H09M010

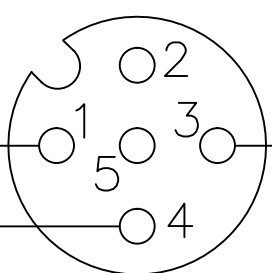
Wire type
3x .34mm²
Black PUR

cable length
M020----2 Meter
M100----10 Meter

FEMALE INSERT
FRONT VIEW



1-BROWN
2-NOT USED
3-BLUE
4-BLACK



+V BROWN

BLACK (Normally Open)

GREEN

YELLOW

-V BLUE

WIRING DIAGRAM

CONTACT:	GOLD/NICKEL OVER COPPER ALLOY
INSERT:	PUR, BLACK
COUPLING NUT:	BRASS, NICKEL PLATED
MOLDED BODY:	TPU, NATURAL
VOLTAGE RATING:	10 TO 30 VDC
AMPERAGE RATING:	4 AMPS
PROTECTION:	IP67
OPERATING TEMPERATURE:	FLEXING: -5°C TO 80°C STATIC: -30°C TO 80°C

INITIAL RELEASE EC NO: IPG2014-0063 DRWN: EBRACKEN 2013/07/01 CHKD: RSTONE APPR: BWOODMAN 2013/08/16	QUALITY SYMBOL	GENERAL TOLERANCES (UNLESS SPECIFIED)	DIMENSION STYLE	SCALE	DESIGN UNITS	THIRD ANGLE PROJECTION
	▽=0 ▽=0	mm INCH 4 PLACES ±--- ±--- 3 PLACES ±--- ±.005 2 PLACES ±0.13 ±.010 1 PLACE ±0.25 ±.020	IN/MM	---	INCH	
		ANGULAR ±.5°	DRAWN BY DATE EBRACKEN 2013/06/18 CHECKED BY DATE RSTONE APPROVED BY DATE BWOODMAN 2013/08/16	TITLE	MICRO-CHANGE ASSEMBLY 3 POLE LED FE 90/ST CABLE PUR BLACK	
		DRAFT WHERE APPLICABLE MUST REMAIN WITHIN DIMENSIONS	MATERIAL NO. SEE CHART SIZE C	MOLEX INCORPORATED DOCUMENT NO. SD-120067-041	SHEET NO. 1 OF 1	
THIS DRAWING CONTAINS INFORMATION THAT IS PROPRIETARY TO MOLEX INCORPORATED AND SHOULD NOT BE USED WITHOUT WRITTEN PERMISSION						