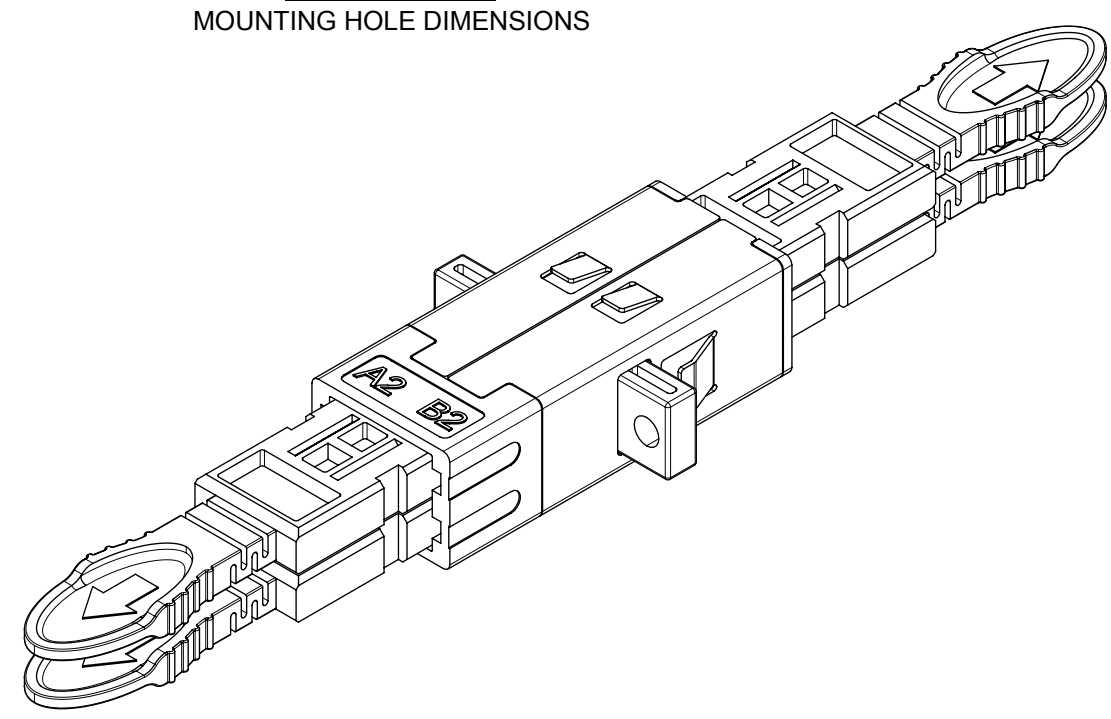
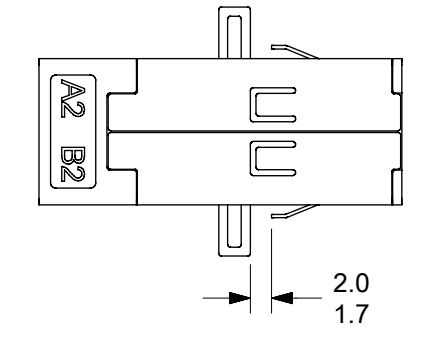
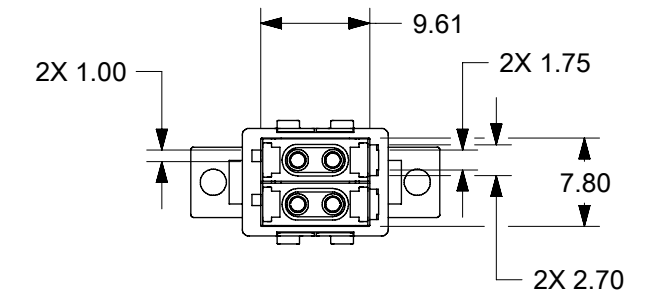
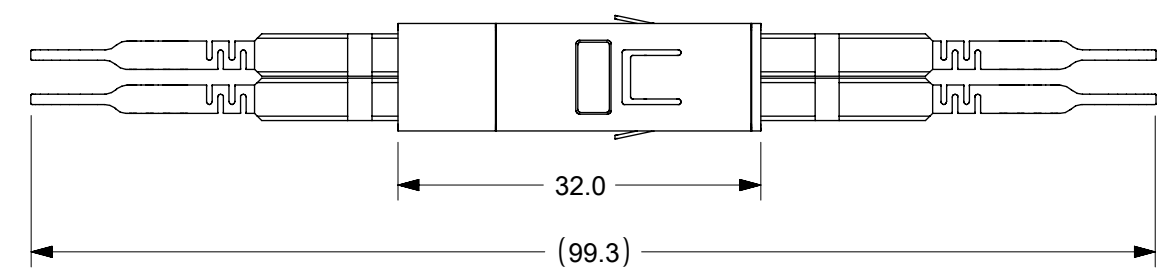


RECOMMENDED MOUNTING HOLE DIMENSIONS



FUNCTIONAL SYMBOLS $\nabla_A = 0$ $\nabla_B = 0$ $\nabla_C = 0$	THIS DRAWING CONTAINS INFORMATION THAT IS PROPRIETARY TO MOLEX ELECTRONIC TECHNOLOGIES, LLC AND SHOULD NOT BE USED WITHOUT WRITTEN PERMISSION	CURRENT REV DESC:							
	DIMENSION UNITS: mm	SCALE: NTS	EC NO: 658650				DRWN: JHUANG18	2021/03/19	
	GENERAL TOLERANCES (UNLESS SPECIFIED)		4 PLACES ±		CHK'D: IGUMIN	2021/03/22	SN 2CH (4F) ADAPTER, SC FOOTPRINT, WITH FLANGE, WITH RATTLE-FREE WINGS PRODUCT CUSTOMER DRAWING		
	ANGULAR TOL ± °		3 PLACES ±		APPR: IGUMIN	2021/03/22			
DIVISIONAL SYMBOLS 3 PLACES ± 2 PLACES ± 0.1 1 PLACE ± 0.2 0 PLACES ±	DRAFT WHERE APPLICABLE MUST REMAIN WITHIN DIMENSIONS		THIRD ANGLE PROJECTION	DRAWING: B-SIZE	SERIES: 106200	DOCUMENT NUMBER: 1062000202	DOC TYPE: PSD	DOC PART: 000	REVISION: A1
						MATERIAL NUMBER: 1062000202	CUSTOMER:		SHEET NUMBER: 1 OF 1