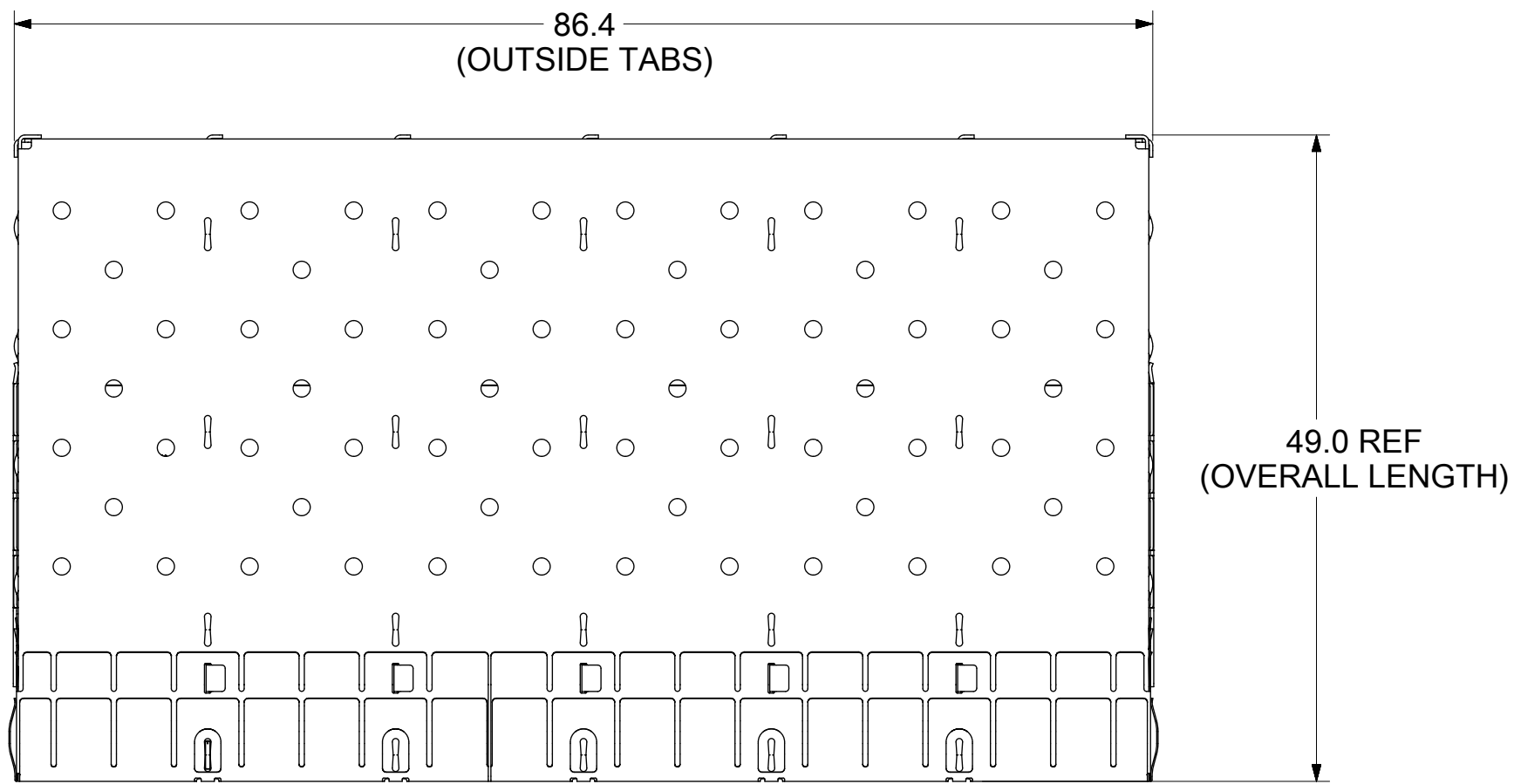


# BASE CAGE DETAILS

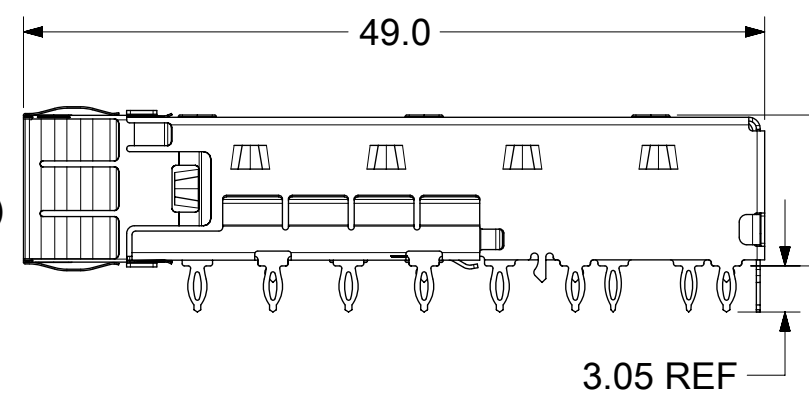
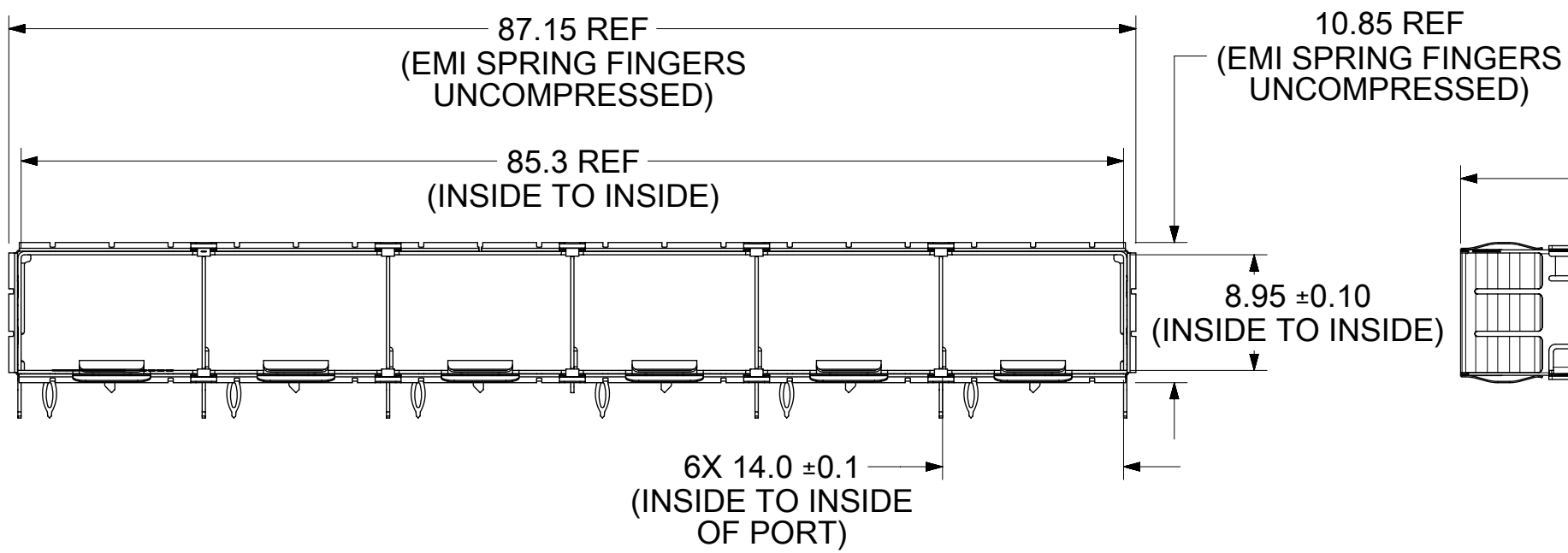
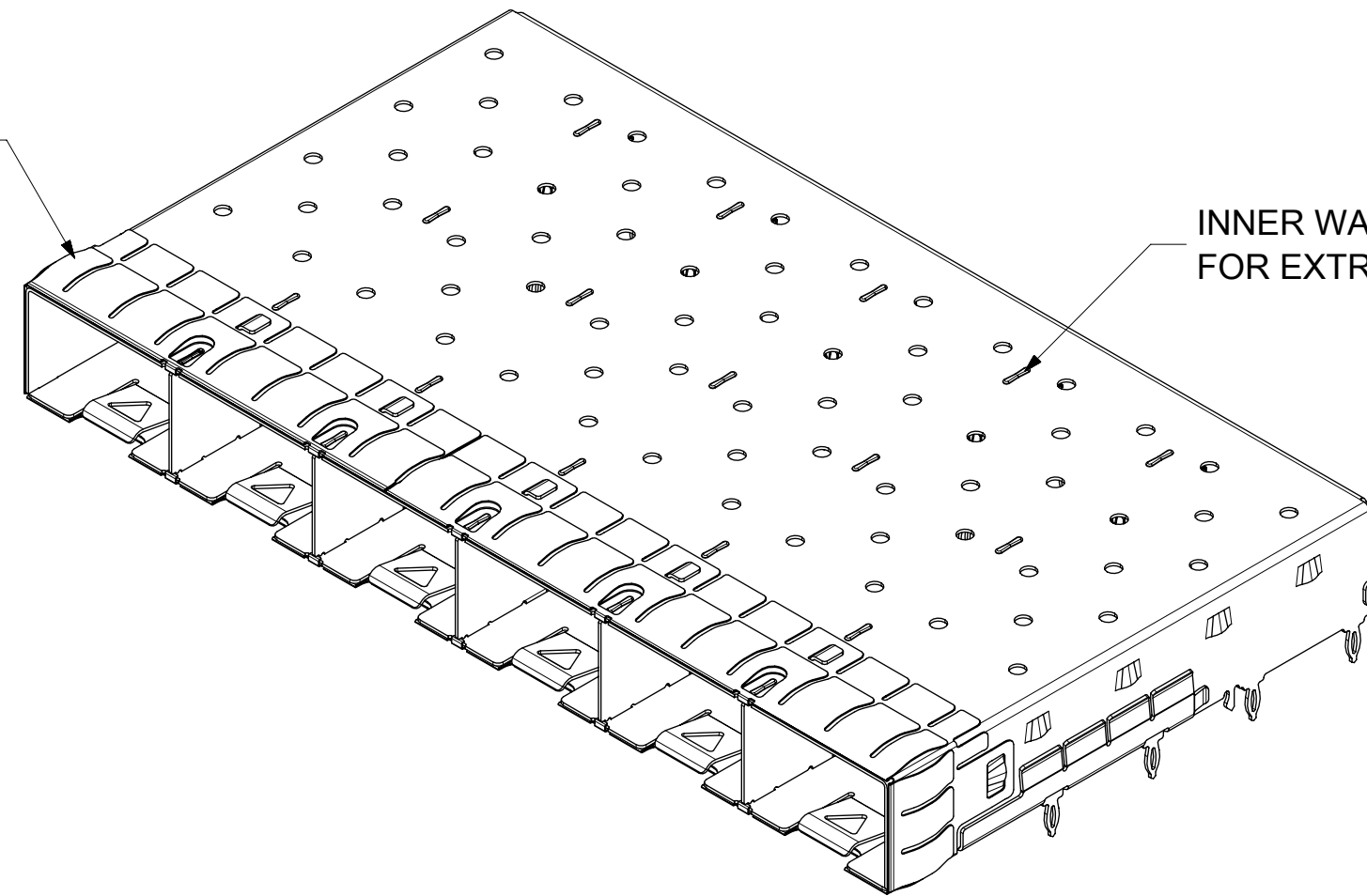
747540620 SHOWN

(APPLIES TO ALL CAGES IN THIS DRAWING)



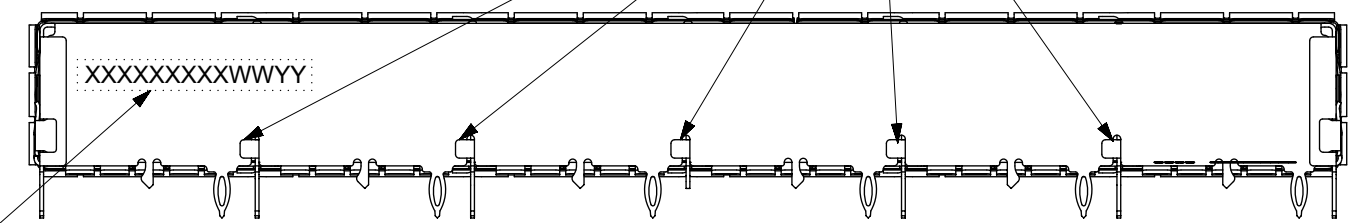
EMI SPRING FINGERS

INNER WALLS ARE COINED FOR EXTRA RIGIDITY



9.98 REF  
(TOP OF CAGE TO PCB PAD SURFACE)

INNER WALL TABS WELDED



PN/DATE CODE TO BE PRINTED ON THE SIDE OF COMPLETED CAGE ASSEMBLY APPROXIMATELY AS SHOWN.

### WEEK/YEAR DATE CODE TABLE

WW	WEEK 01 THRU 52 OR 53	EXAMPLE: 01 = FIRST WEEK OF YEAR 52 = LAST WEEK OF YEAR
YY	20, 21, 22, ETC.	EXAMPLE: YEAR 2020 = 20

### NOTES:

- MATERIAL:  
CAGE: 0.25mm THICK COPPER ALLOY, NICKEL PLATED.  
SPRING FINGERS: 0.10mm THICK COPPER ALLOY, NICKEL PLATED.  
HEATSINK: ALUMINUM, NICKEL PLATED.  
HEATSINK SPRING CLIP: STAINLESS STEEL.
- PRESS FIT LEGS 3.05mm LONG:
- PORTS ARE DESIGNED FOR SFP+ TRANSCEIVERS AND ARE COMPATIBLE WITH SFP TRANSCEIVERS. THE TOP SURFACE OF THE MODULE MUST BE FLAT (NO PRODUCT LABEL RECESS) AND THERMALLY CONDUCTIVE TO FUNCTION OPTIMALLY.
- WELD SPOT MAY SHOW SLIGHT MATERIAL DISCOLORATION.
- NO RoHS EXEMPTIONS.
- CUSTOM HEATSINKS AVAILABLE UPON REQUEST.

THIS DRAWING CONTAINS INFORMATION THAT IS PROPRIETARY TO MOLEX ELECTRONIC TECHNOLOGIES, LLC AND SHOULD NOT BE USED WITHOUT WRITTEN PERMISSION

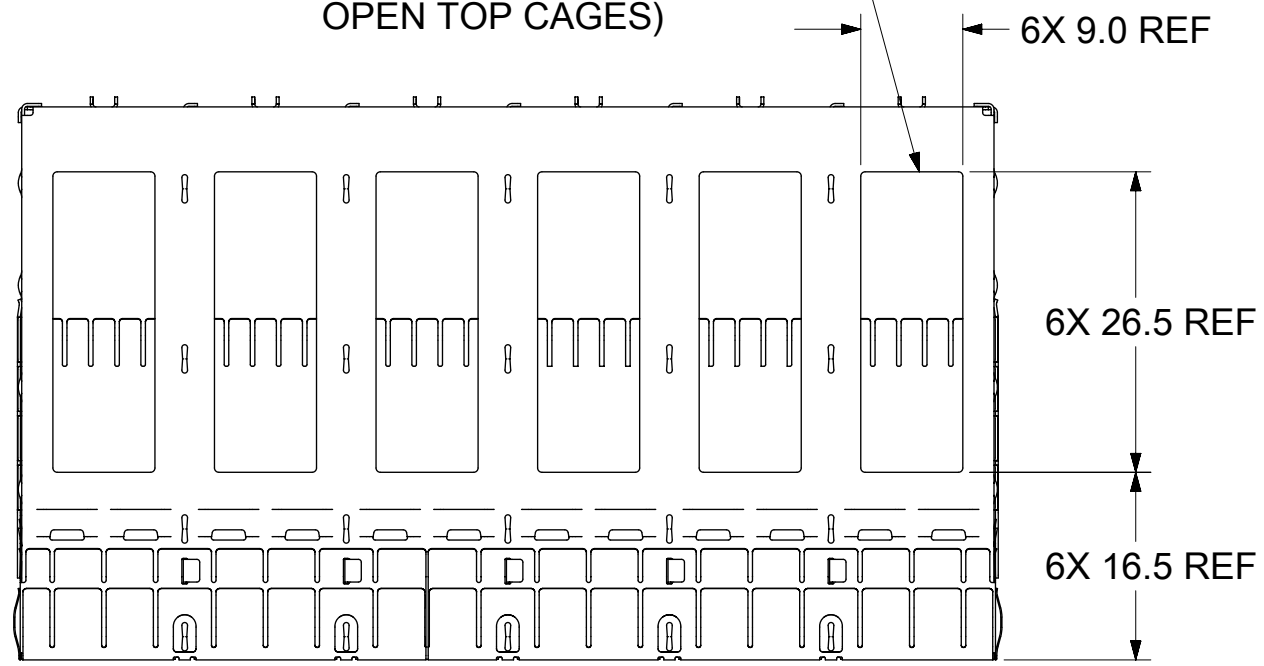
DIMENSION UNITS	SCALE	CURRENT REV DESC: OBSOLETE PART NUMBER AS PER PCN#509457.	<b>molex</b>			
mm	2:1					
GENERAL TOLERANCES (UNLESS SPECIFIED)		EC NO: 680890	SFP+ 1X6 CAGE, .120 INCH PRESS FIT, HEAT SINKS, WITH EMI SPRING FINGERS			
ANGULAR TOL	± 1.0°	DRWN: SANTHN 2021/05/24	PRODUCT CUSTOMER DRAWING			
4 PLACES	±	CHK'D: GGA 2021/11/25	DOCUMENT NUMBER			
3 PLACES	±	APPR: GGA 2021/11/25	111122620			
2 PLACES	± 0.15	INITIAL REVISION:	DOC TYPE	DOC PART	REVISION	
1 PLACE	± 0.25	DRWN: MHANUMAPPARE 2017/02/23	PSD	ASY	H3	
0 PLACES	±	APPR: RCHEN08 2017/05/03	SHEET NUMBER			
DRAFT WHERE APPLICABLE MUST REMAIN WITHIN DIMENSIONS	THIRD ANGLE PROJECTION	DRAWING	MATERIAL NUMBER	CUSTOMER	1 OF 9	
		C-SIZE	SEE SHEET 4	GENERAL MARKET		
		SERIES				
		111112				

DOCUMENT STATUS	P1	RELEASE DATE	2021/11/25 12:19:23
-----------------	----	--------------	---------------------

# CAGE ASSEMBLY OPTIONS

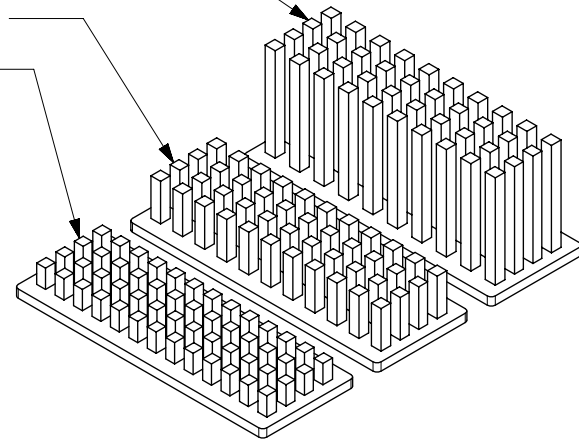
## OPEN TOP

111120620  
SHOWN  
(APPLIES TO ALL  
OPEN TOP CAGES)



### HEATSINK OPTIONS

PIN FIELD NETWORKING  
PIN FIELD SAN  
PIN FIELD PCI



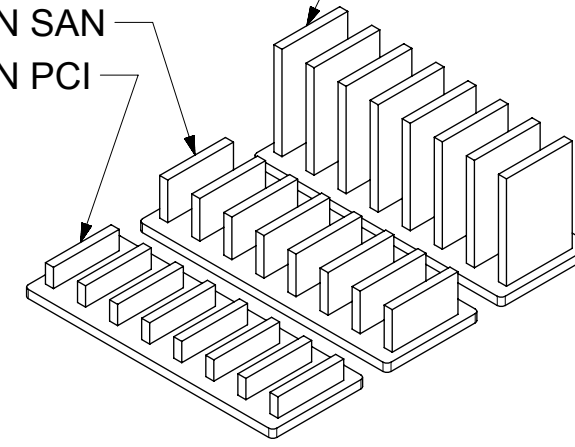
### OVERALL HEATSINK HEIGHT

APPLICATION	DIM 'A'
PCI	14.3
SAN	16.6
NETWORKING	23.6

NOTE: PCI - 13 ROWS  
SAN - 11 ROWS  
NETWORKING - 10 ROWS

### HEATSINK OPTIONS

LATERAL FIN NETWORKING  
LATERAL FIN SAN  
LATERAL FIN PCI

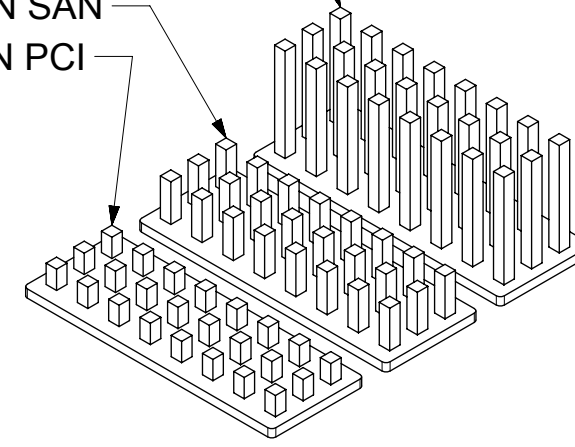


### OVERALL HEATSINK HEIGHT

APPLICATION	DIM 'A'
PCI	14.3
SAN	16.6
NETWORKING	23.6

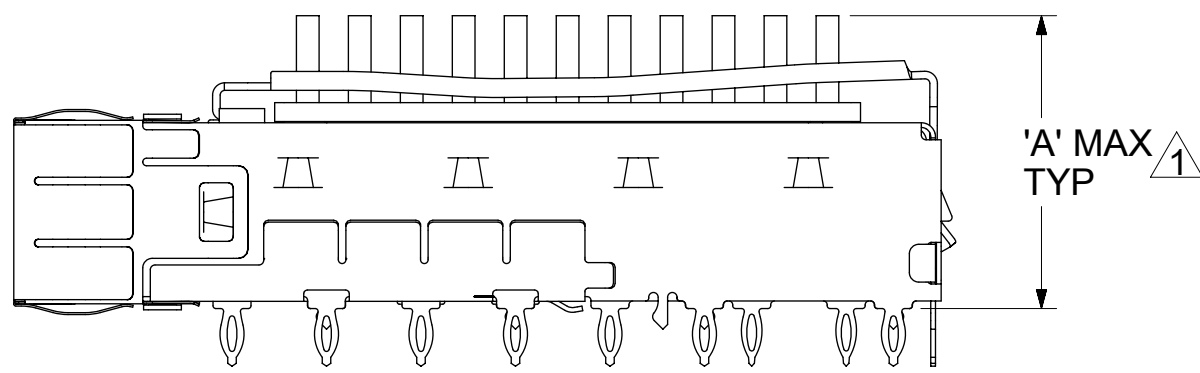
### HEATSINK OPTIONS

WIDE GAP PIN NETWORKING  
WIDE GAP PIN SAN  
WIDE GAP PIN PCI



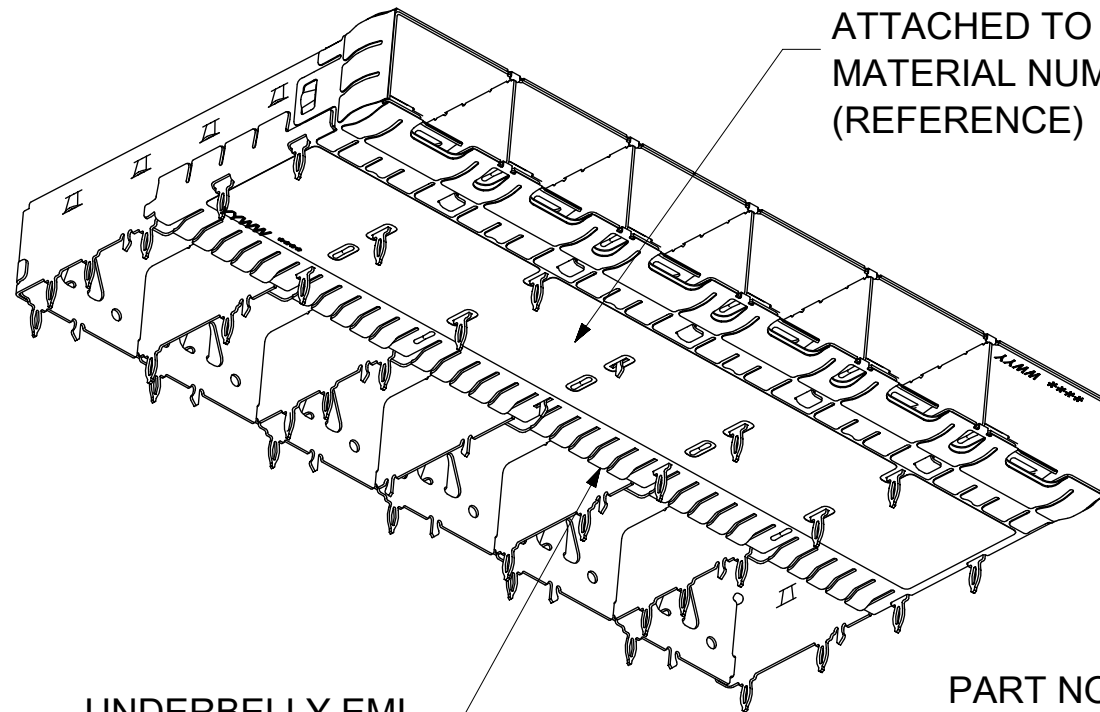
### OVERALL HEATSINK HEIGHT

APPLICATION	DIM 'A'
PCI	14.3
SAN	16.6
NETWORKING	23.6

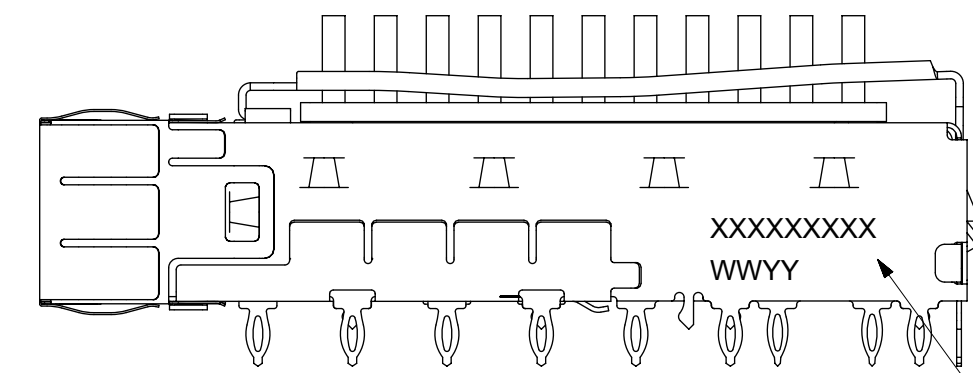


NOTES:  
1 HEIGHT OF HEATSINK WITH MODULE INSERTED.  
DIMENSION MAY BE LESS DUE TO MODULE AND HEATSINK VARIATIONS.

OPTIONAL POLYIMIDE INSULATOR  
ATTACHED TO BOTTOM OF CAGE  
MATERIAL NUMBER 739300634  
(REFERENCE)



UNDERBELLY EMI  
SPRING FINGERS

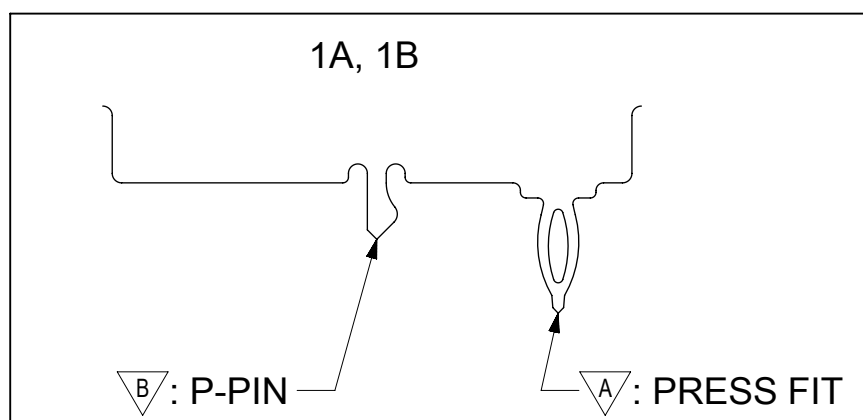


PART NO. AND WEEK/YEAR DATE CODE TO BE PRINTED ON  
BACK OF COMPLETED CAGE ASSEMBLY APPROXIMATELY AS SHOWN.  
SEE TABLE BELOW FOR DATE CODE INFORMATION.

### WEEK/YEAR DATE CODE TABLE

WW	01 THRU 52 OR 53	EXAMPLE: 01 = FIRST WEEK OF YEAR 52 = LAST WEEK OF YEAR
YY	20, 21, 22, ETC.	EXAMPLE: YEAR 2020 = 20

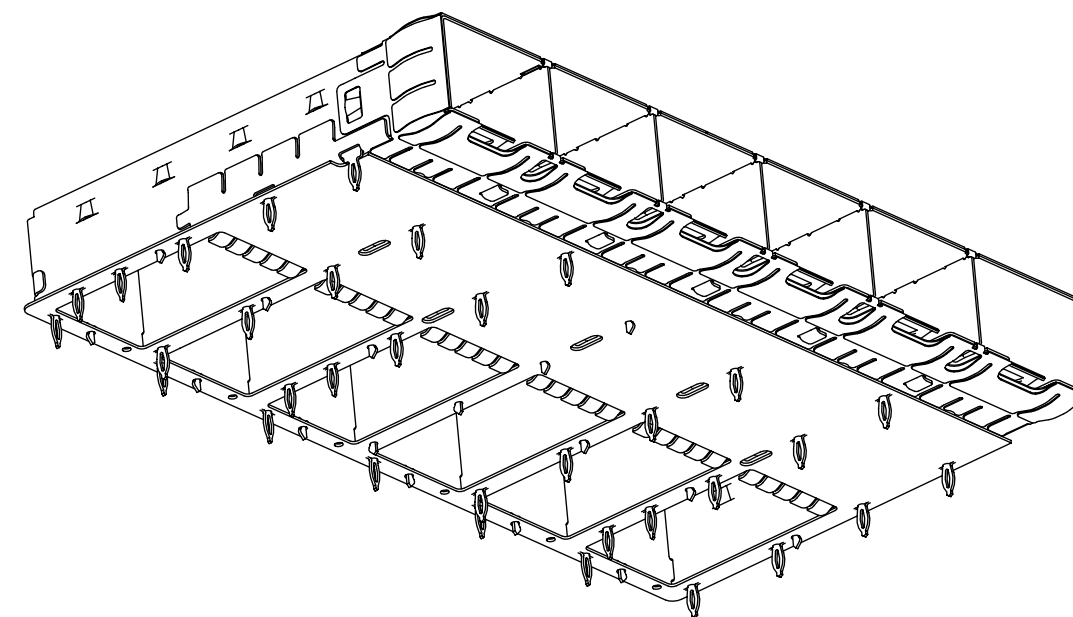
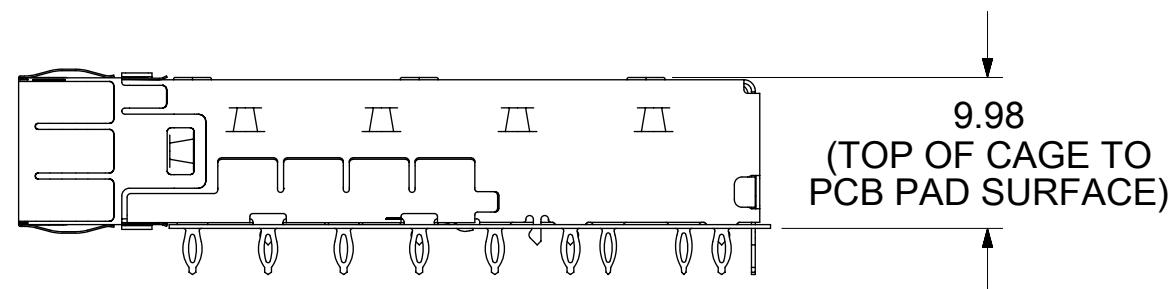
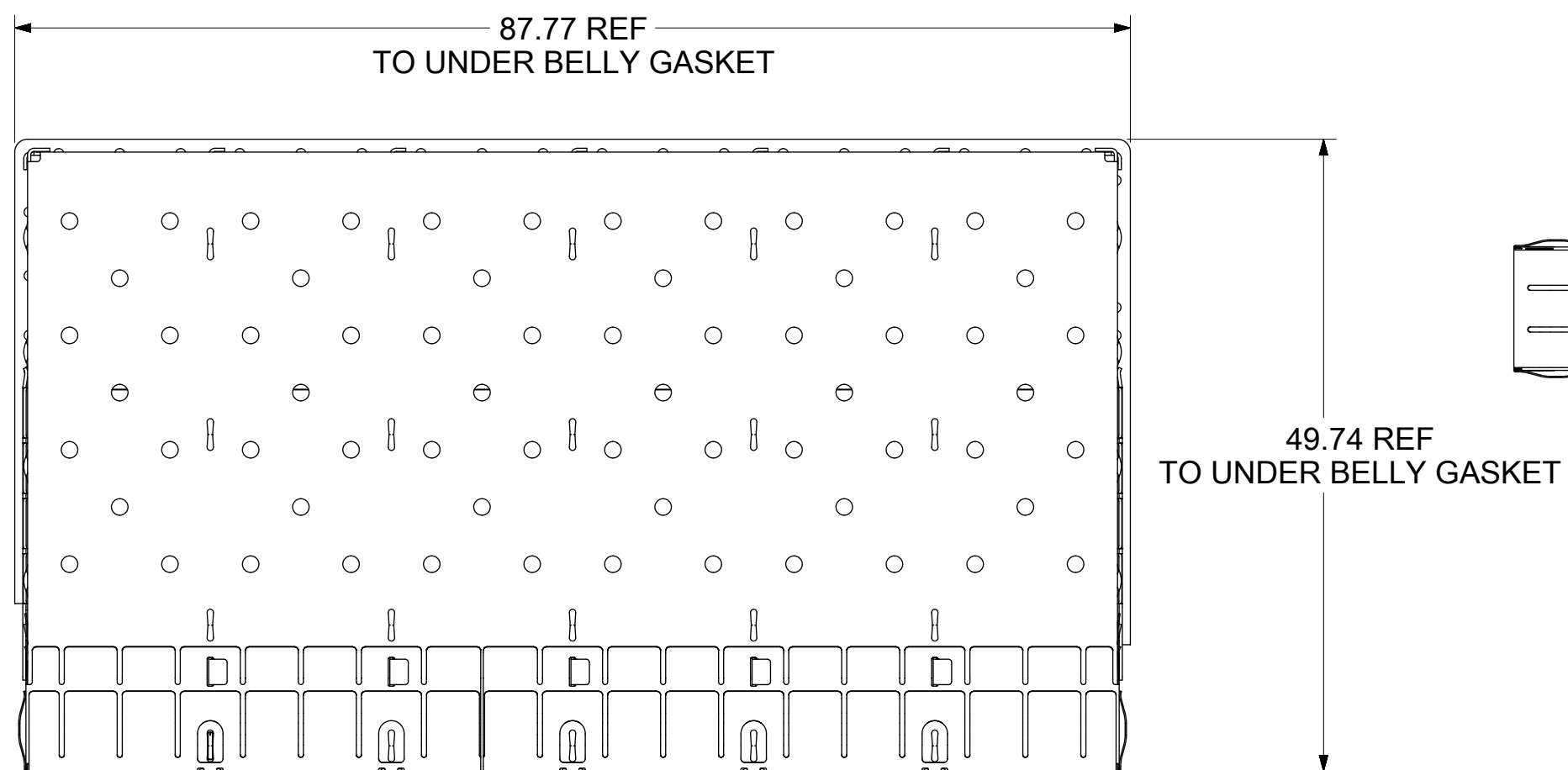
## REAR LEG OPTIONS (PER PORT)



THIS DRAWING CONTAINS INFORMATION THAT IS PROPRIETARY TO MOLEX ELECTRONIC TECHNOLOGIES, LLC AND SHOULD NOT BE USED WITHOUT WRITTEN PERMISSION									
DIMENSION UNITS	SCALE	CURRENT REV DESC: OBSOLETE PART NUMBER AS PER PCN#509457.							
mm	1.5:1								
GENERAL TOLERANCES (UNLESS SPECIFIED)									
ANGULAR TOL	± 1.0°	EC NO: 680890 DRWN: SANTHN 2021/05/24 CHK'D: GGA 2021/11/25 APPR: GGA 2021/11/25							
4 PLACES	±	INITIAL REVISION:							
3 PLACES	±	DRWN: MHANUMAPPARE 2017/02/23							
2 PLACES	± 0.15	APPR: RCHEN08 2017/05/03							
1 PLACE	± 0.25	PRODUCT CUSTOMER DRAWING DOCUMENT NUMBER: 111122620 DOC TYPE: PSD DOC PART: ASY REVISION: H3							
0 PLACES	±	MATERIAL NUMBER: SEE SHEET 4 CUSTOMER: GENERAL MARKET SHEET NUMBER: 2 OF 9							
DRAFT WHERE APPLICABLE MUST REMAIN WITHIN DIMENSIONS		THIRD ANGLE PROJECTION	DRAWING	SERIES					
			C-SIZE	111112					

# OPTIONAL GEN 2 UNDER BELLY GASKET

1001150620 SHOWN



THIS DRAWING CONTAINS INFORMATION THAT IS PROPRIETARY TO MOLEX ELECTRONIC TECHNOLOGIES, LLC AND SHOULD NOT BE USED WITHOUT WRITTEN PERMISSION

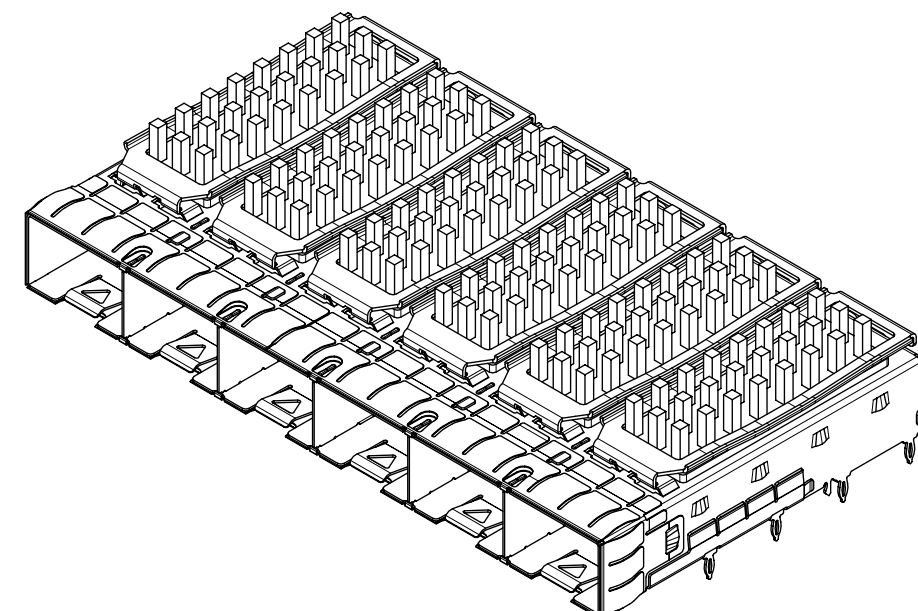
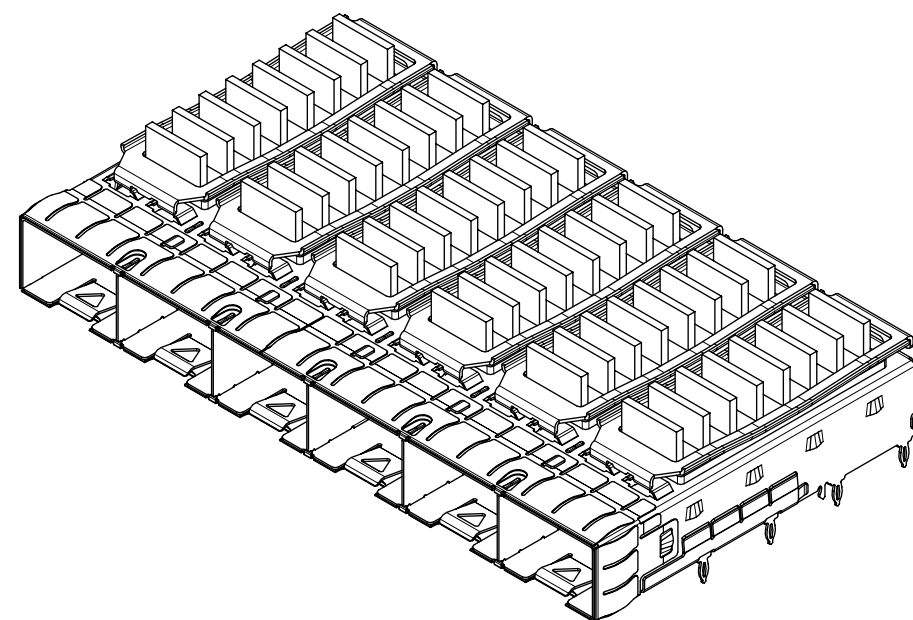
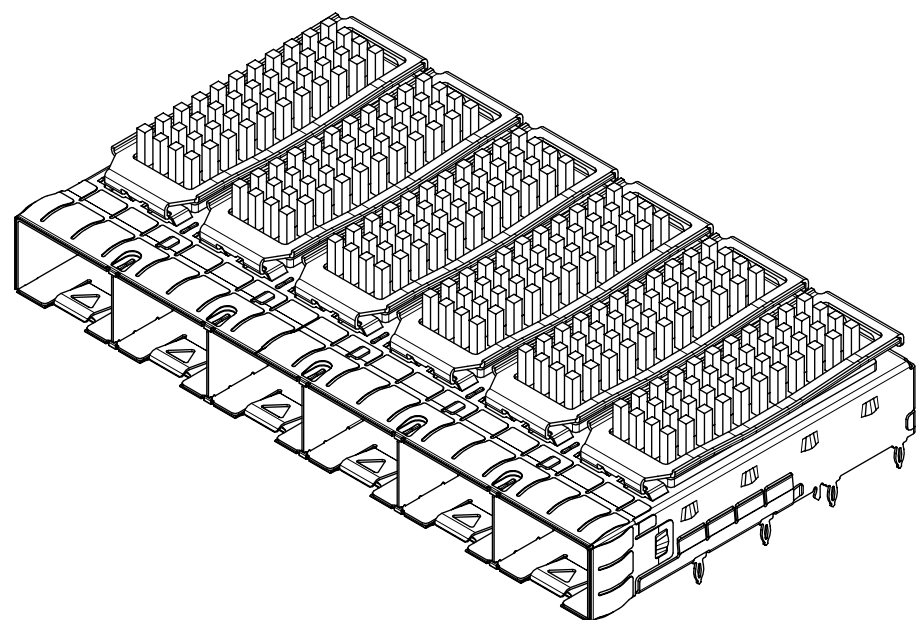
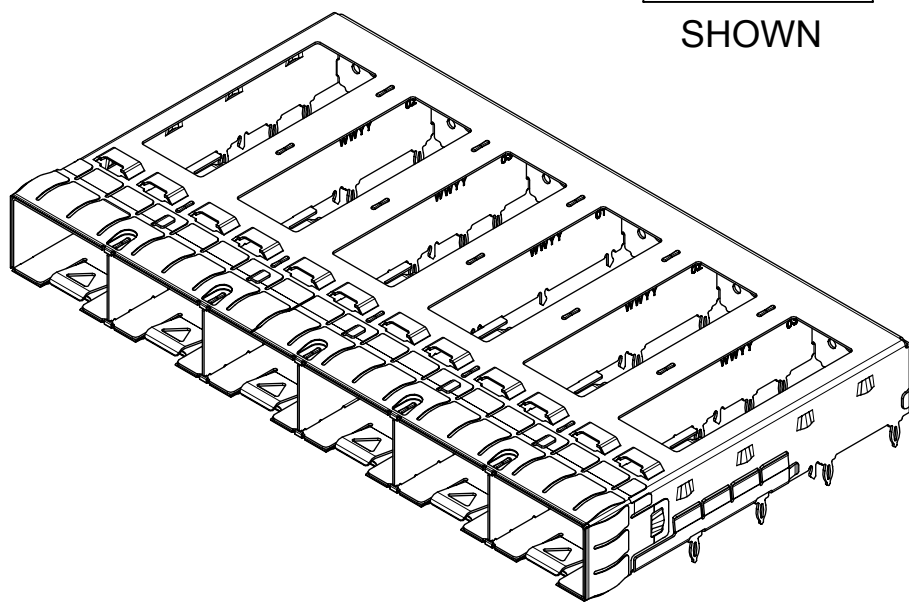
DIMENSION UNITS <b>mm</b>		SCALE <b>2:1</b>	CURRENT REV DESC: OBSOLETE PART NUMBER AS PER PCN#509457.		<b>molex</b>		
GENERAL TOLERANCES (UNLESS SPECIFIED)		EC NO: 680890		SFP+ 1X6 CAGE, .120 INCH PRESS FIT, HEAT SINKS, WITH EMI SPRING FINGERS			
ANGULAR TOL ± 1.0°		DRWN: SANTHN 2021/05/24		PRODUCT CUSTOMER DRAWING			
4 PLACES ±		CHK'D: GGA 2021/11/25		DOCUMENT NUMBER			
3 PLACES ±		APPR: GGA 2021/11/25		111122620		DOC TYPE PSD	
2 PLACES ± 0.15		INITIAL REVISION:		DOC PART		REVISION	
1 PLACE ± 0.25		DRWN: MHANUMAPPARE 2017/02/23		ASY		H3	
0 PLACES ±		APPR: RCHEN08 2017/05/03		SHEET NUMBER			
DRAFT WHERE APPLICABLE MUST REMAIN WITHIN DIMENSIONS		THIRD ANGLE PROJECTION	DRAWING C-SIZE	SERIES 111112	MATERIAL NUMBER SEE SHEET 4	CUSTOMER GENERAL MARKET	SHEET NUMBER 3 OF 9

DOCUMENT STATUS	P1	RELEASE DATE	2021/11/25 12:19:23
-----------------	----	--------------	---------------------

# PART NUMBER SELECTION

1111120620

SHOWN



### SFP+ OPEN TOP BASE CAGE FOR HEATSINKS

PART NO.	POLYIMIDE INSOLATOR	# OF REAR LEGS PER PORT
1111120620	---	1A, 1B
1111120660	YES	1A, 1B

### SFP+ PIN FIELD HEATSINK OPTION

PART NO.	POLYIMIDE INSOLATOR	HEATSINK	# OF REAR LEGS PER PORT
1111121620	---	PCI	1A, 1B
1111121660	YES	PCI	1A, 1B
1111122660	YES	SAN	1A, 1B
1111123620	---	NET	1A, 1B

### SFP+ LATERAL FIN HEATSINK OPTION

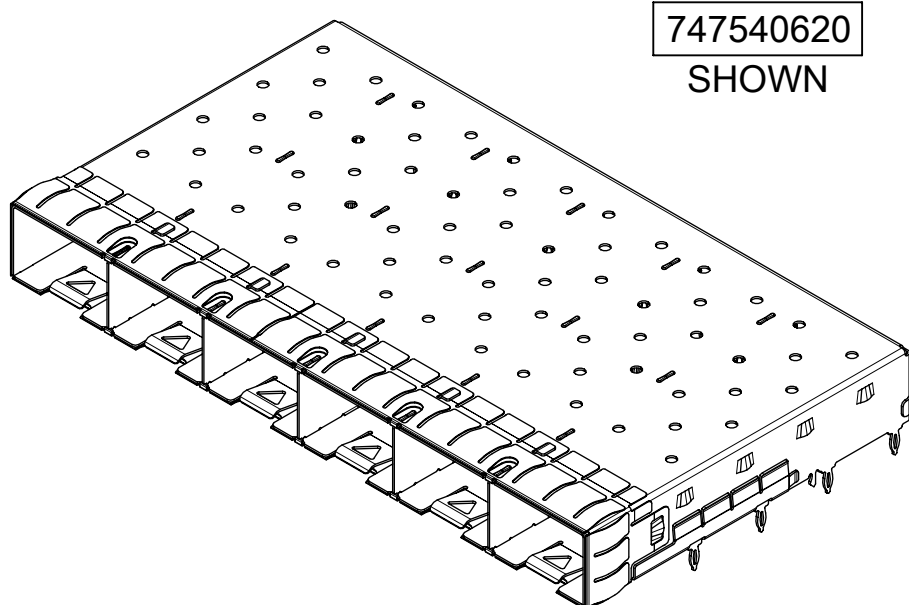
PART NO.	POLYIMIDE INSOLATOR	HEATSINK	# OF REAR LEGS PER PORT
1111124660	YES	PCI	1A, 1B
1111125660	YES	SAN	1A, 1B
1111126660	YES	NET	1A, 1B

### SFP+ WIDE GAP PIN FIELD HEATSINK OPTION

PART NO.	POLYIMIDE INSOLATOR	HEATSINK	# OF REAR LEGS PER PORT
1111127660	YES	PCI	1A, 1B
1111128660	YES	SAN	1A, 1B
1111129660	YES	NET	1A, 1B

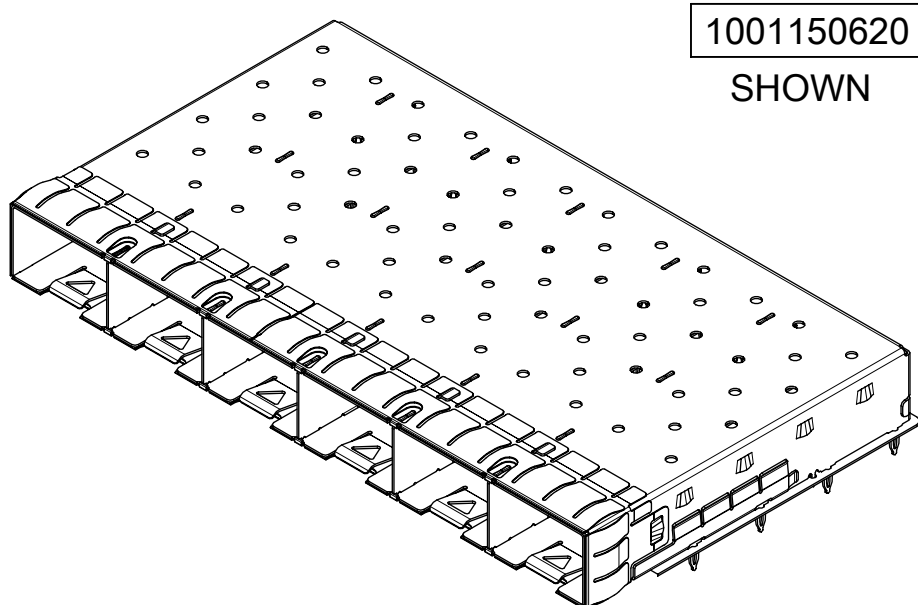
747540620

SHOWN



1001150620

SHOWN



### SFP+ CLOSED TOP BASE CAGE

PART NO.	POLYIMIDE INSOLATOR	SF WELD POINTS	# OF REAR LEGS PER PORT
747540620	---	2	1A, 1B

### zSFP+ GEN 2 CLOSED TOP BASE CAGE

PART NO.	POLYIMIDE INSOLATOR	# OF REAR LEGS PER PORT
1001150620	---	1A, 1B

NOTE: PCI - 13 ROWS  
SAN - 11 ROWS  
NETWORKING - 10 ROWS

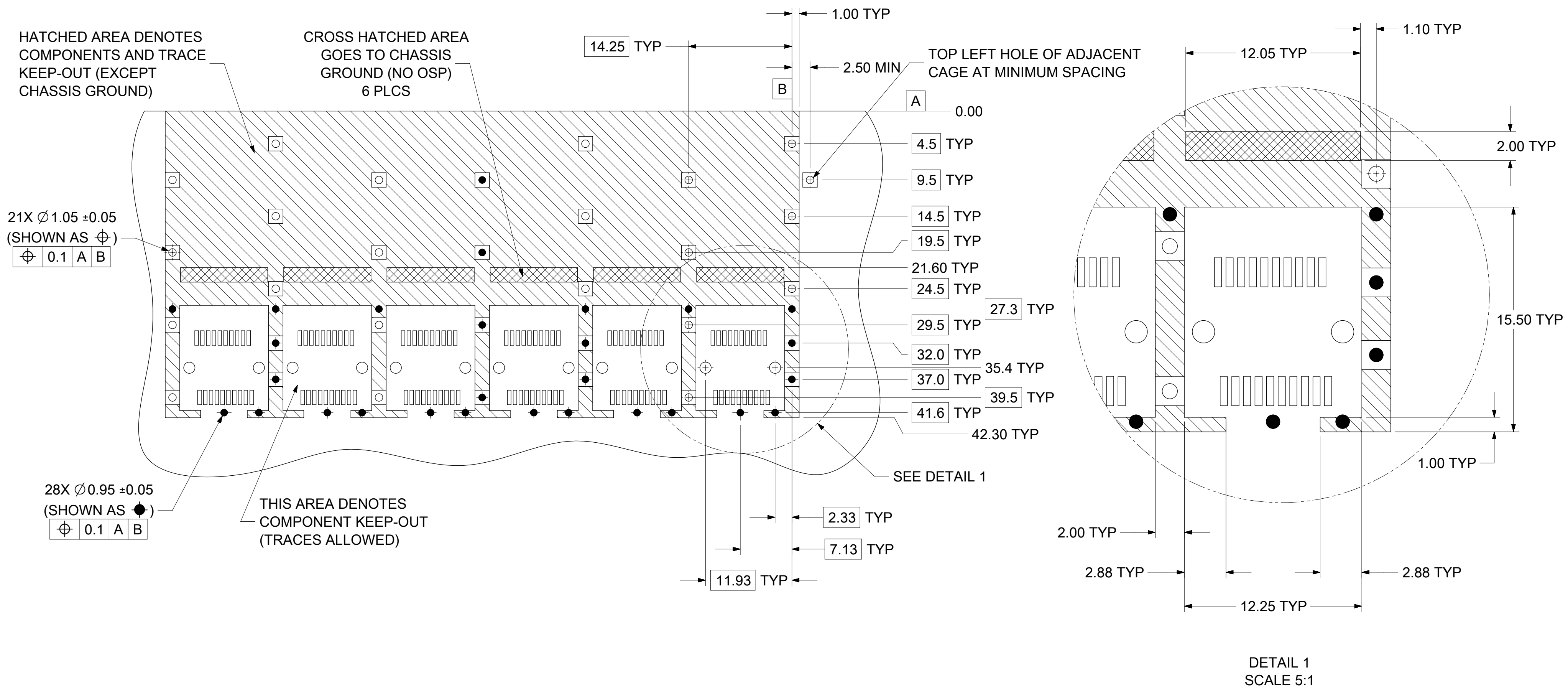
THIS DRAWING CONTAINS INFORMATION THAT IS PROPRIETARY TO MOLEX ELECTRONIC TECHNOLOGIES, LLC AND SHOULD NOT BE USED WITHOUT WRITTEN PERMISSION

DIMENSION UNITS	SCALE	CURRENT REV DESC: OBSOLETE PART NUMBER AS PER PCN#509457.		<b>molex</b>				
mm	1.25:1							
GENERAL TOLERANCES (UNLESS SPECIFIED)		EC NO: 680890		SFP+ 1X6 CAGE, .120 INCH PRESS FIT, HEAT SINKS, WITH EMI SPRING FINGERS				
ANGULAR TOL	± 1.0°	DRWN: SANTHN		2021/05/24				
4 PLACES	±	CHK'D: GGA		2021/11/25				
3 PLACES	±	APPR: GGA		2021/11/25				
2 PLACES	± 0.15	INITIAL REVISION:		PRODUCT CUSTOMER DRAWING				
1 PLACE	± 0.25	DRWN: MHANUMAPPARE		DOCUMENT NUMBER		DOC TYPE	DOC PART	REVISION
0 PLACES	±	APPR: RCHEN08		1111122620		PSD	ASY	H3
DRAFT WHERE APPLICABLE MUST REMAIN WITHIN DIMENSIONS		THIRD ANGLE PROJECTION		DRAWING	SERIES	MATERIAL NUMBER	CUSTOMER	SHEET NUMBER
		C-SIZE		111112	SEE SHEET 4	GENERAL MARKET		4 OF 9

DOCUMENT STATUS	P1	RELEASE DATE	2021/11/25	12:19:23
-----------------	----	--------------	------------	----------

# PCB LAYOUT FOR SINGLE SIDE MOUNT

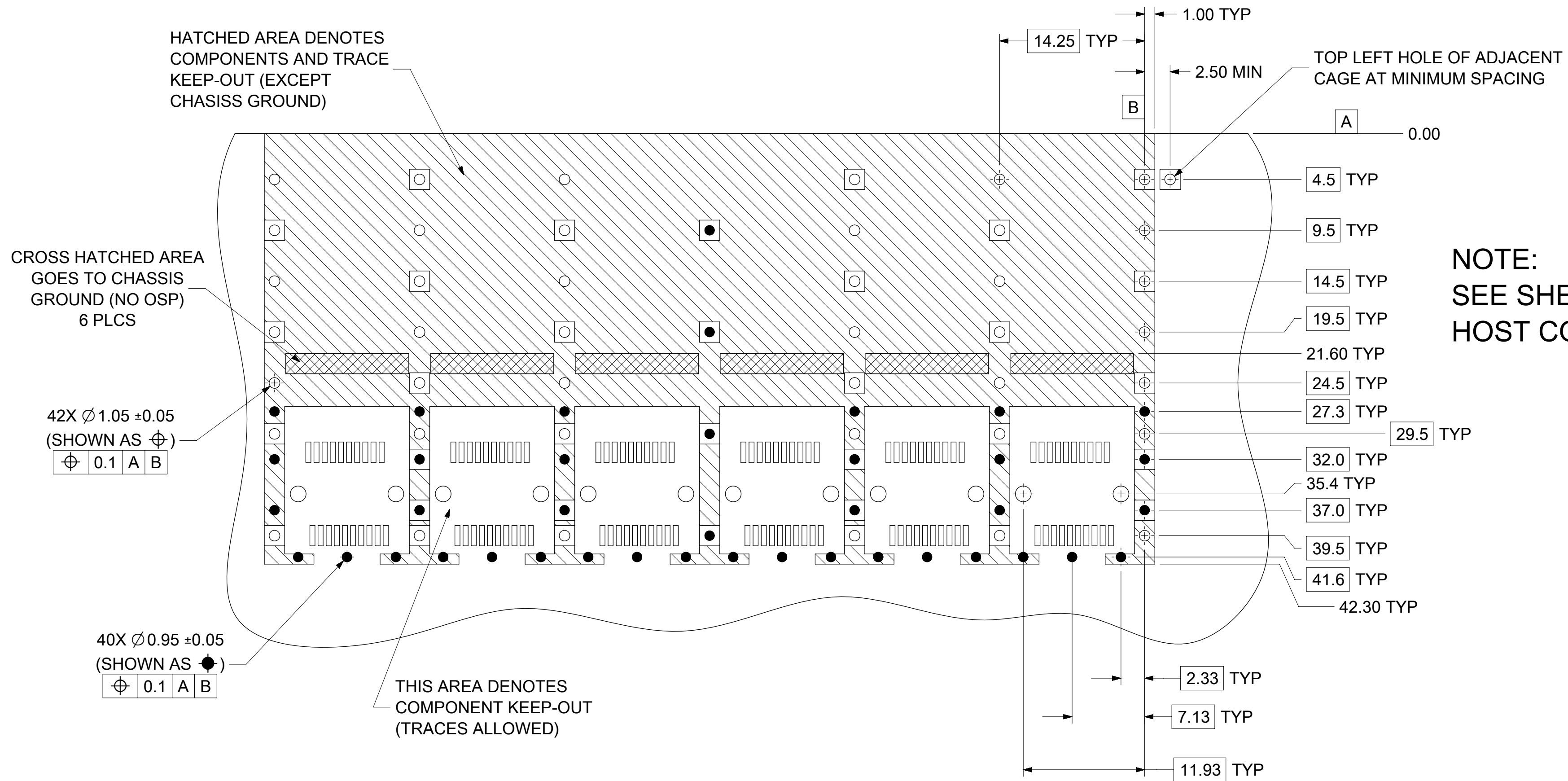
## HOST CONNECTOR DETAIL



- NOTES:
1. PADS AND VIAS CONNECT TO CHASSIS GROUND (RECOMMEND PADS TO BE 2.00mm SQUARE)
  2. RECOMMENDED THRU HOLE PLATING INCLUDES HASL, OSP, OR IMMERSION (GOLD, SILVER, OR TIN).
  3. CONNECTOR PAD LAYOUT PER SFP+ MSA WILL ACCOMMODATE MOLEX CONNECTOR SERIES 74441 OR EQUIVALENT.
  4. HOLE PATTERN REPEATS FOR EACH PORT. SPACING BETWEEN PORTS IS 14.25mm.
  5. MIN PCB THICKNESS FOR SINGLE SIDED USE: 1.57mm

THIS DRAWING CONTAINS INFORMATION THAT IS PROPRIETARY TO MOLEX ELECTRONIC TECHNOLOGIES, LLC AND SHOULD NOT BE USED WITHOUT WRITTEN PERMISSION											
DIMENSION UNITS <b>mm</b>		SCALE <b>2.5:1</b>		CURRENT REV DESC: OBSOLETE PART NUMBER AS PER PCN#509457.				<b>molex</b>		SFP+ 1X6 CAGE, .120 INCH PRESS FIT, HEAT SINKS, WITH EMI SPRING FINGERS	
GENERAL TOLERANCES (UNLESS SPECIFIED)		ANGULAR TOL $\pm 1.0^\circ$		EC NO: 680890							
4 PLACES $\pm$		3 PLACES $\pm$		2 PLACES $\pm 0.15$		1 PLACE $\pm 0.25$		0 PLACES $\pm$		DRWN: SANTHN 2021/05/24	
2 PLACES $\pm$		1 PLACE $\pm$		0 PLACES $\pm$		DRWN: MHANUMAPPARE 2017/02/23		CHK'D: GGA 2021/11/25		APPR: GGA 2021/11/25	
DRAFT WHERE APPLICABLE MUST REMAIN WITHIN DIMENSIONS		THIRD ANGLE PROJECTION		DRAWING		SERIES		MATERIAL NUMBER		CUSTOMER	
				C-SIZE		111112		SEE SHEET 4		GENERAL MARKET	
DOCUMENT STATUS		P1		RELEASE DATE		2021/11/25 12:19:23		DOCUMENT NUMBER		DOC TYPE   DOC PART   REVISION	
								111122620		PSD   ASY   H3	
								SHEET NUMBER		5 OF 9	

# PCB LAYOUT FOR BELLY TO BELLY MOUNTING



**NOTE:**  
SEE SHEET 5 FOR  
HOST CONNECTOR DETAIL

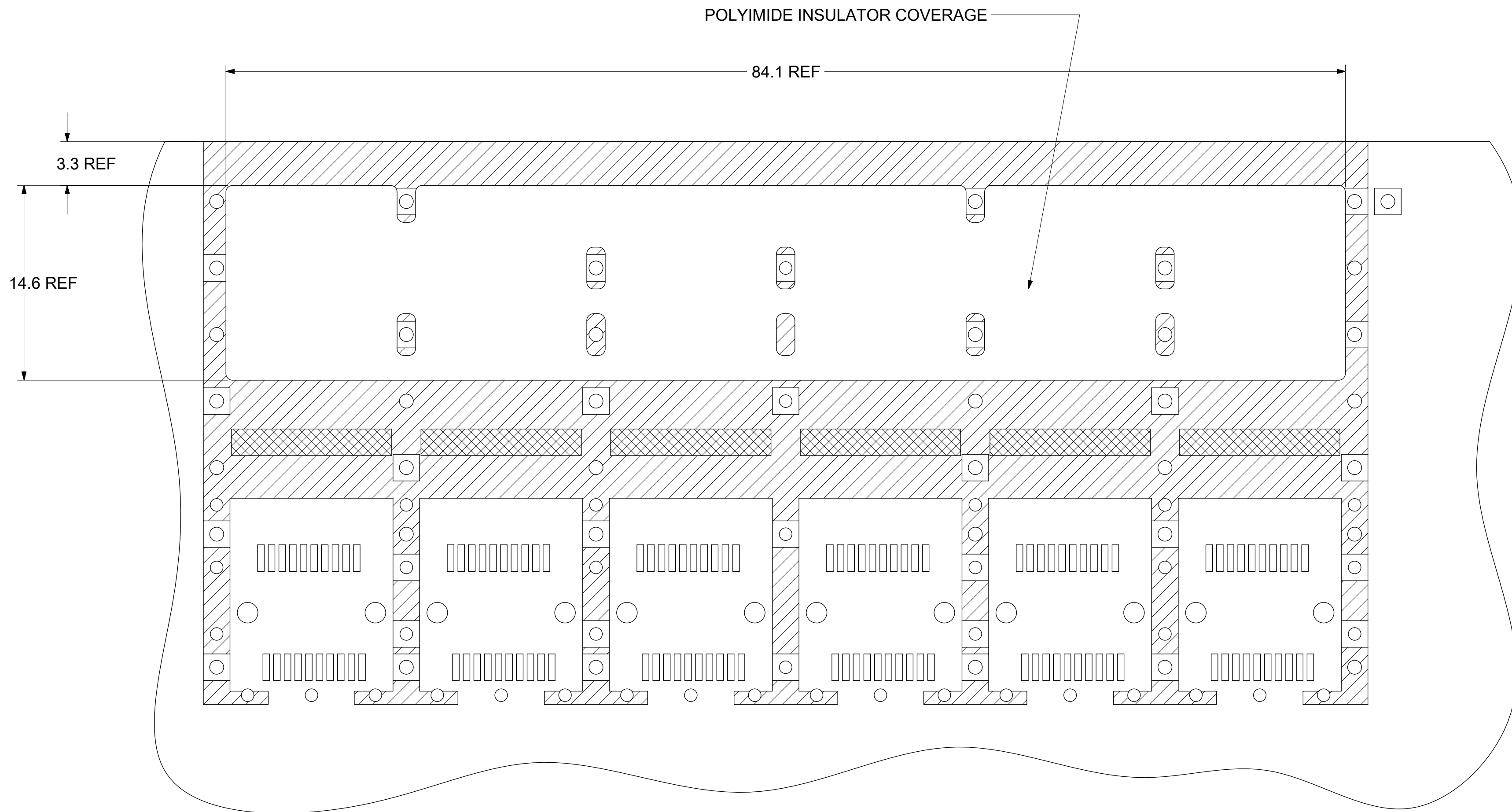
- NOTES:
1. PADS AND VIAS CONNECT TO CHASSIS GROUND (RECOMMEND PADS TO BE 2.00mm SQUARE)
  2. RECOMMENDED THRU HOLE PLATING INCLUDES HASL, OSP, OR IMMERSION (GOLD, SILVER, OR TIN).
  3. CONNECTOR PAD LAYOUT PER SFP+ MSA WILL ACCOMMODATE MOLEX CONNECTOR SERIES 74441 OR EQUIVALENT.
  4. HOLE PATTERN REPEATS FOR EACH PORT. SPACING BETWEEN PORTS IS 14.25mm.
  5. MIN PCB THICKNESS FOR BELLY TO BELLY USE: 3.00mm

THIS DRAWING CONTAINS INFORMATION THAT IS PROPRIETARY TO MOLEX ELECTRONIC TECHNOLOGIES, LLC AND SHOULD NOT BE USED WITHOUT WRITTEN PERMISSION									
DIMENSION UNITS		SCALE		CURRENT REV DESC: OBSOLETE PART NUMBER AS PER PCN#509457.				<b>molex</b>	
mm		3:1							
GENERAL TOLERANCES (UNLESS SPECIFIED)				EC NO: 680890				SFP+ 1X6 CAGE, .120 INCH PRESS FIT, HEAT SINKS, WITH EMI SPRING FINGERS	
ANGULAR TOL $\pm 1.0^\circ$				DRWN: SANTHN		2021/05/24		PRODUCT CUSTOMER DRAWING	
4 PLACES $\pm$				CHK'D: GGA		2021/11/25		DOCUMENT NUMBER	
3 PLACES $\pm$				APPR: GGA		2021/11/25		111122620	
2 PLACES $\pm 0.15$				INITIAL REVISION:				DOC TYPE   DOC PART   REVISION	
1 PLACE $\pm 0.25$				DRWN: MHANUMAPPARE		2017/02/23		PSD   ASY   H3	
0 PLACES $\pm$				APPR: RCHEN08		2017/05/03		MATERIAL NUMBER	
DRAFT WHERE APPLICABLE MUST REMAIN WITHIN DIMENSIONS		THIRD ANGLE PROJECTION		DRAWING		SERIES		CUSTOMER	
				C-SIZE		111112		GENERAL MARKET	
								SHEET NUMBER	
								6 OF 9	

DOCUMENT STATUS	P1	RELEASE DATE	2021/11/25 12:19:23
-----------------	----	--------------	---------------------

# POLYIMIDE INSULATOR COVERAGE AREA

(APPLIES TO SINGLE SIDED AND BELLY TO BELLY)

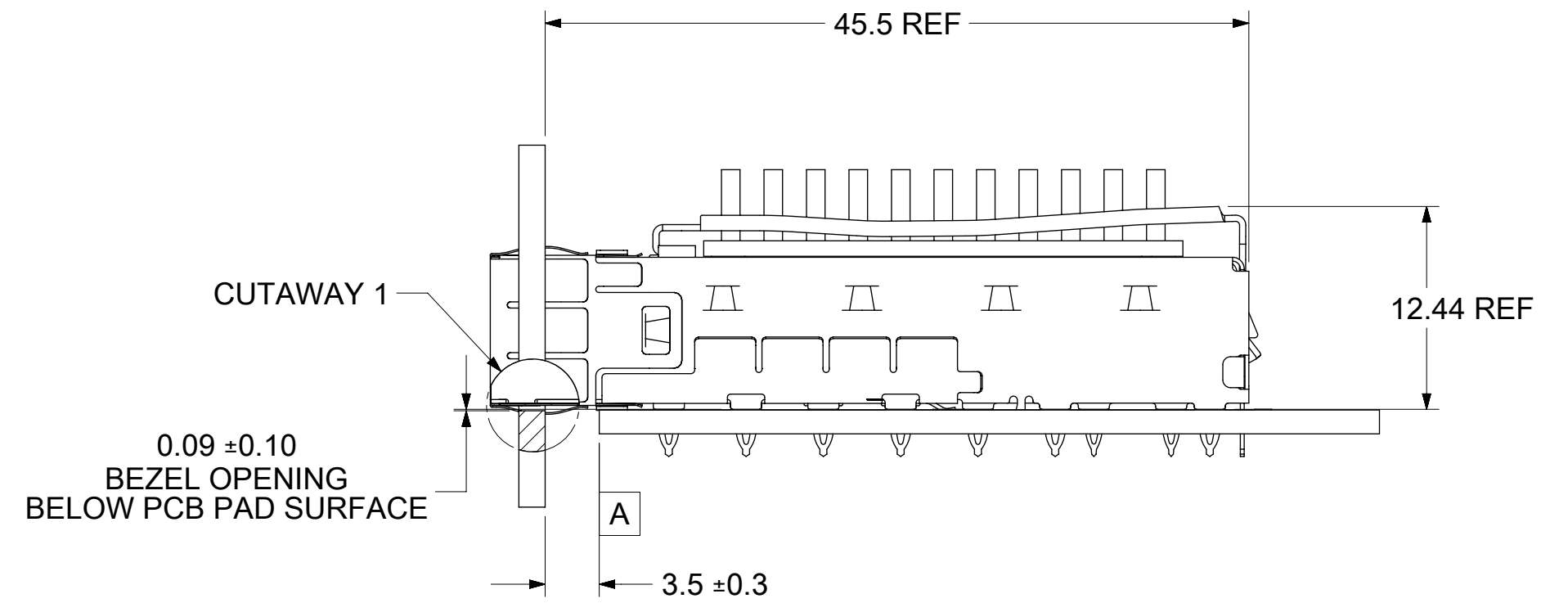
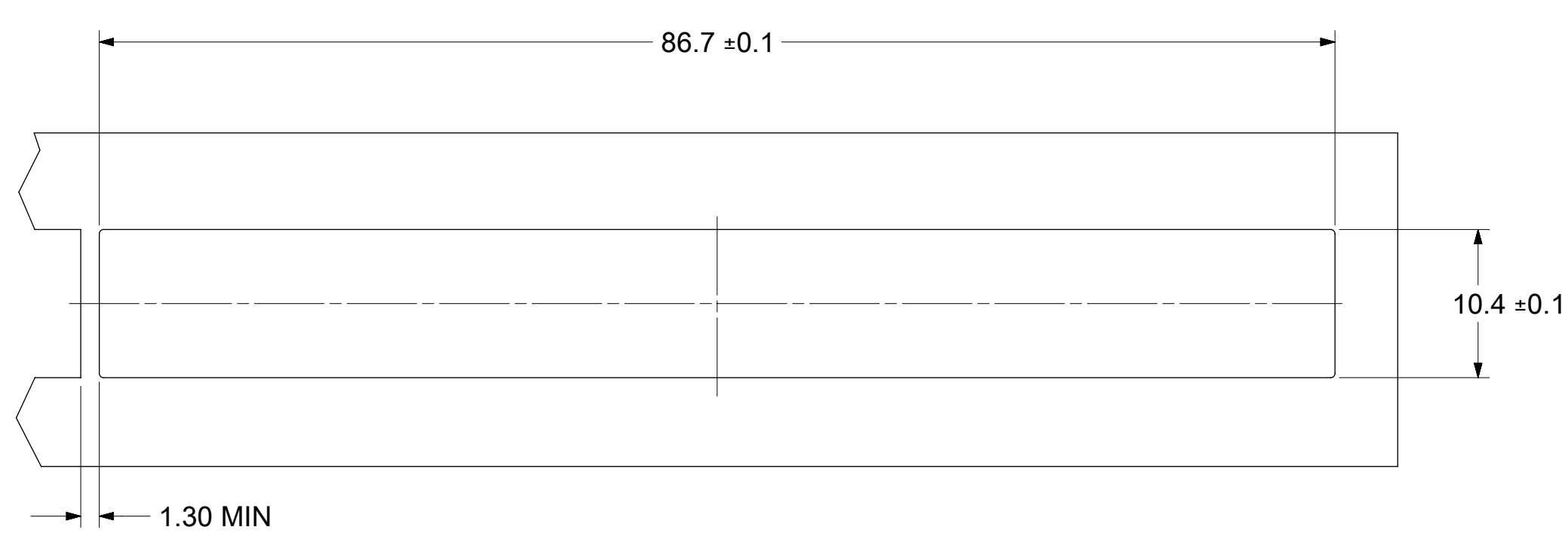


THIS DRAWING CONTAINS INFORMATION THAT IS PROPRIETARY TO MOLEX ELECTRONIC TECHNOLOGIES, LLC AND SHOULD NOT BE USED WITHOUT WRITTEN PERMISSION									
DIMENSION UNITS		SCALE		CURRENT REV DESC: OBSOLETE PART NUMBER AS PER PCN#509457.				<b>molex</b>	
mm		4:1							
GENERAL TOLERANCES (UNLESS SPECIFIED)				EC NO: 680890					
ANGULAR TOL ± 1.0°				4 PLACES ±		DRWN: SANTHN		2021/05/24	
				3 PLACES ±		CHK'D: GGA		2021/11/25	
				2 PLACES ± 0.15		APPR: GGA		2021/11/25	
				1 PLACE ± 0.25		INITIAL REVISION:			
				0 PLACES ±		DRWN: MHANUMAPPARE		2017/02/23	
				APPR: RCHEN08		2017/05/03		DOCUMENT NUMBER	
DRAFT WHERE APPLICABLE MUST REMAIN WITHIN DIMENSIONS				THIRD ANGLE PROJECTION		DRAWING		SERIES	
				C-SIZE		111112		MATERIAL NUMBER	
				SEE SHEET 4		CUSTOMER		SHEET NUMBER	
				GENERAL MARKET		111122620		PSD ASY H3	
				7 OF 9					

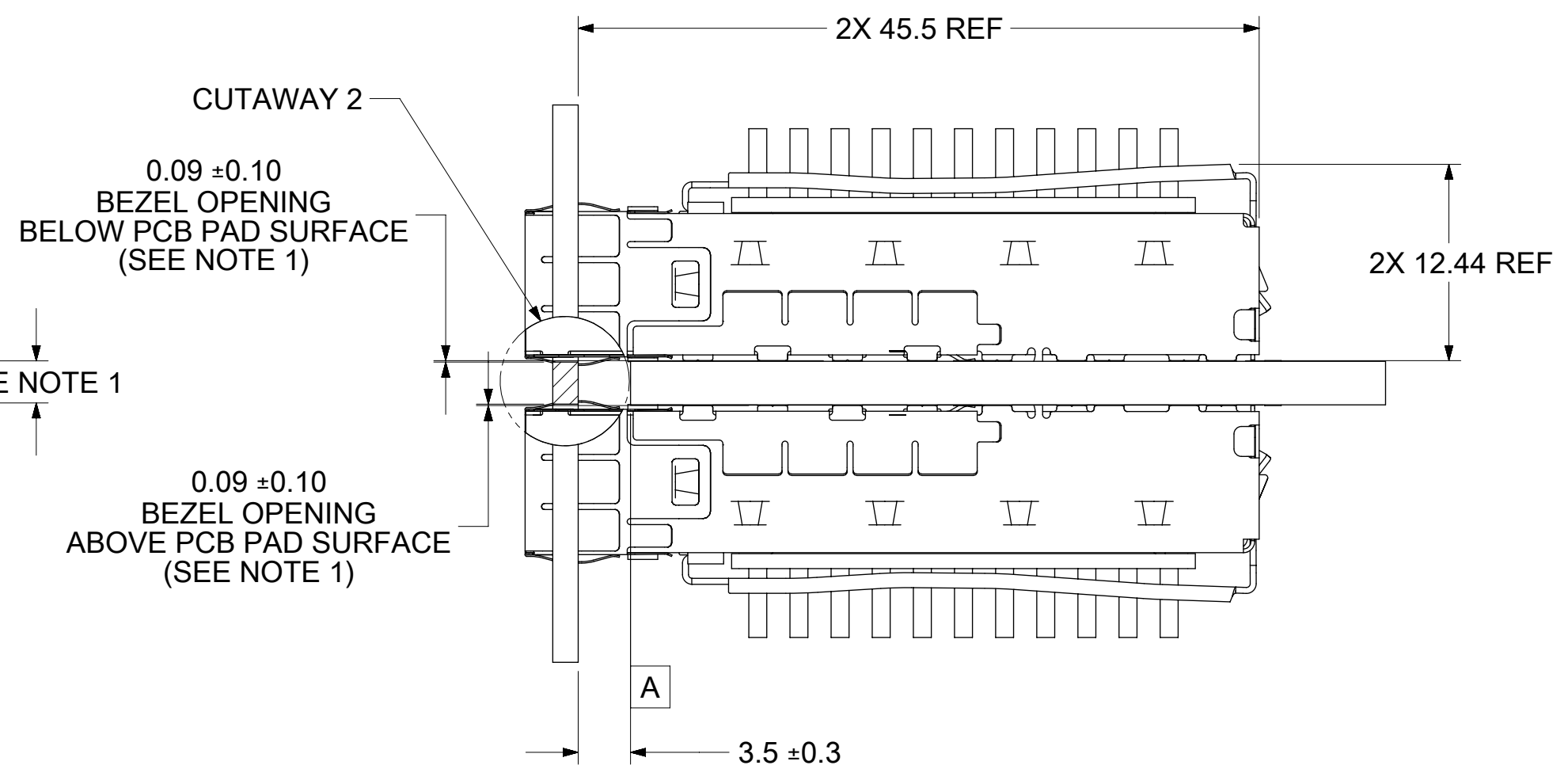
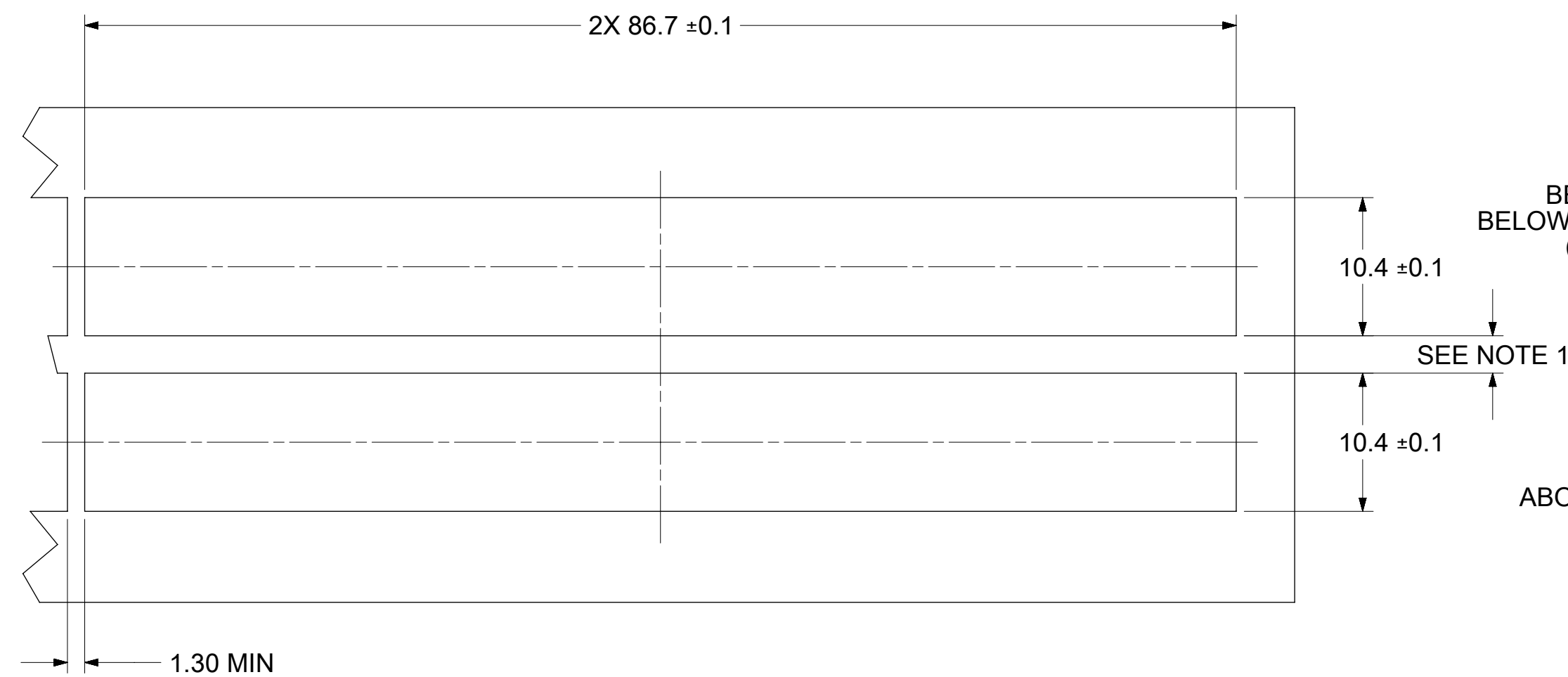
DOCUMENT STATUS	P1	RELEASE DATE	2021/11/25 12:19:23
-----------------	----	--------------	---------------------



# BEZEL AND BOARD POSITION DIMENSIONS FOR SINGLE SIDE MOUNTING



# BEZEL AND BOARD POSITION DIMENSIONS FOR BELLY TO BELLY MOUNTING



NOTE:  
1. PCB THICKNESS VARIATION MUST BE CONSIDERED WHEN DETERMINING BEZEL OPENING LOCATION.

THIS DRAWING CONTAINS INFORMATION THAT IS PROPRIETARY TO MOLEX ELECTRONIC TECHNOLOGIES, LLC AND SHOULD NOT BE USED WITHOUT WRITTEN PERMISSION									
DIMENSION UNITS		SCALE		CURRENT REV DESC: OBSOLETE PART NUMBER AS PER PCN#509457.				<b>molex</b>	
mm		2.5:1							
GENERAL TOLERANCES (UNLESS SPECIFIED)				EC NO: 680890					
ANGULAR TOL ± 1.0°				4 PLACES ±		DRWN: SANTHN		2021/05/24	
				3 PLACES ±		CHK'D: GGA		2021/11/25	
				2 PLACES ± 0.15		APPR: GGA		2021/11/25	
				1 PLACE ± 0.25		INITIAL REVISION:		DOCUMENT NUMBER	
				0 PLACES ±		DRWN: MHANUMAPPARE		1111122620	
				APPR: RCHEN08		2017/02/23		PSD ASY H3	
				2017/05/03		MATERIAL NUMBER		CUSTOMER	
DRAFT WHERE APPLICABLE MUST REMAIN WITHIN DIMENSIONS				THIRD ANGLE PROJECTION		DRAWING		SHEET NUMBER	
				C-SIZE		SERIES		SEE SHEET 4	
				111112		GENERAL MARKET		8 OF 9	



REV	DATE	DESCRIPTION
1	2011/06/21	1. INITIAL RELEASE
A	2011/06/30	1. UPDATED THE CAGE TOP TO INCLUDE HOLES FOR LIGHTPIPES.
B	2011/08/18	1. REVISED NOTES; CHANGED HEATSINK HEIGHT FROM 8.63 TO 6.5; TABULARIZED PCI, SAN, AND NETWORKING; ADDED HEATSINK HEIGHT WITH MODULE INSERTED [SHT1]. MOVED TABLE AND EXPLODED VIEW TO SHEET 2 AND REORDERED FOLLOWING SHEETS. REMOVED NOTE 6 [SHT1]. UPDATED VIEWS [SHT5]; REMOVED WELD SPOTS [SHT1]; UPDATED ALL SHEETS TO NEW FRAME.
C	2012/07/31	1. HIDE HEATSINK CLIP FROM TOP VIEW, REMOVED CUTAWAY AND ADDED "SEE TABLE ON SHEET 2" TO BOTTOM 1 VIEW, ADDED MODEL NOTATION IN TOP CORNER ON SHEET 1, MOVED VIEW FOR HEATSINK HEIGHT FROM SHEET 1 TO SHEET 2 AND REMOVED HEAT SINK HEIGHT TABLE FROM SHEET 1, ADDED KAPTON TAPE MODEL TO EXPLODED VIEW ON SHEET 2, REMOVED DIM 'B' FROM SHEET 2, EXPANDED P/N TABLE ON SHEET 2 TO INCLUDE HEAT SINK DIM AND KAPTON TAPE OPTIONS, REWORDED ANNOTATIONS FOR CORRECT ORIENTATION ON SHEET 5
D	2012/10/22	1. NEW SHEET 2: ISO VIEWS OF CAGE WITH THREE DIFFERENT SIZES EACH OF THREE DIFFERENT HEATSINK TYPES AND ISO VIEW OF CAGE WITH KAPTON TAPE OPTION, ANNOTATIONS TO POINT TO EACH HEATSINK SIZE, SIDE VIEW OF CAGE WITH DIMENSION, TABLES UNDER EACH VIEW WITH DIMENSIONS FOR EACH HEATSINK SIZE, SHEET TITLE. SHEET 3: REMOVED ISO VIEW AND REPLACED WITH 4 VIEWS OF CAGE WITHOUT HEATSINKS AND WITH EACH OF THREE DIFFERENT TYPES OF HEATSINK, ADDED TABLES BELOW EACH VIEW WITH PART NUMBERS ACCORDING TO HEATSINK TYPE AND SIZE AND PRESENCE OR ABSENCE OF KAPTON TAPE, ADDED SHEET TITLE. NEW SHEET 6: TWO VIEWS OF PCB FOR SINGLE SIDE AND BELLY TO BELLY MOUNTING SHOWING POLYIMIDE INSULATOR COVERAGE AND DIMENSIONS.
E	2013/02/08	1. ADDED EMI SPRING FINGER UNCOMPRESSED OVERALL DIMENSIONS TO FRONT VIEW, @F17 & 13. UPDATED FINISHED ASSEMBLY PRINTED PN/DATE CODE, ADDED BACK VIEW AND INNER WALL WELD NOTE, @E4. REMOVED BELLY ISO VIEW. ADDED DIMENSION 9.98 REF TOP OF COIN, @F7. MOVED MIN PCB THICKNESS NOTE TO RESPECTIVE PCB LAYOUT SHEETS. MOVED OPEN TOP VIEW & CUTOUT DIMENSIONS TO SHEET 2. (SHEET 1) 2. ADDED "REAR LEG OPTIONS" SECTION, @B16. REMOVED CAGES FROM HEATSINK OPTIONS VIEWS & UPDATED TABLES, @J2, J6 & J11. MOVED VIEW FROM I16 TO E9. ADDED ISO VIEW TO IDENTIFY UNDER BELLY GASKET @E3, TOP VIEW OF OPEN TOP & DIMENSIONS @J16. (SHEET 2) 3. ADDED PN'S 747540620, 747540622 & 1111110620 ADDING VIEWS AND PN TABLES. ADDED "SFP+" TO TABLES (SHEET 3) 4. REMOVED SINGLE SIDED VIEW AND ADDED APPLICATION NOTE TO TOP OF SHEET. (SHEET 6) 5. ADDED CENTER LINES TO BEZELS. REMOVED CUTAWAY 1 & 3 SIDE VIEWS, RENAMED CUTAWAY 2 TO CUTAWAY 1 AND CUTAWAY 4 TO CUTAWAY 2. REMOVED "SEE NOTE 1" FROM BEZEL OPENING DIMENSION "10.4±0.1", @K10. ADDED "SEE NOTE 1" @E10. REMOVED "SIZE AND" FROM NOTE 1. CORRECTED 3D MODEL CHANGING DIMENSION 12.48 TO 12.44, @K1 & F1. (SHEET 7) 6. MOVED NOTES TO BOTTOM LEFT CORNER AND INCREASED TEXT HEIGHT. (SHEETS 1, 4, 5 & 7)
F	2014/02/11	1. CHANGED "WILL" TO "MAY" IN NOTE 4 ON SHEET 1. 2. REMOVED ISO VIEW AND ADDED RIGHT SIDE VIEW @E4 SHEET 2. ADDED NEW SHEET 3 WITH 100115-0620. 3. REMOVED DATE CODE AND NOTES FROM VIEW @E10 AND ADDED TO VIEW @E7 AND UPDATED MATERIAL NO. "WAS" 3 "NOW" 4 ON SHEETS 1, 2, 5 - 9. 4. MOVED HEATSINK NOTES TO LOWER LEFT CORNER AND ADDED VIEW AND PN TABLE FOR 1001150620 ON SHEET 4. 5. REMOVED 111111-0620 FROM SHEET 4 AND REPLACED WITH ISO VIEW AND TABLE FOR 100115-0620. 6. REVISED NOTE "WAS SEE SHEET 2 "NOW" SEE SHEET 5 @I3 SHEET 6.
G	2017/02/24	REMASTERED FROM SD-111112-2620 REV_F TO 1111122620 PSD ASY REV_G IN NX SHEET 8 : D1 : ADDED 2X TO THE DIM 12.44 REF
H	2017/11/02	SHEET 2: D2: CHANGED TO DOUBLE ROWS FOR DATE CODE. SHEET 4: P/N 1111128620 OBSOLETE
H1	2019/12/19	SHEET 4: P/N 1111124620 OBSOLETE
H2	2020/05/04	SHEET 01 : E11 :REMOVED "UNWANTED WELDING SPOT" AT THIS LOCATION SHEET 03 : E11 :REMOVED "UNWANTED WELDING SPOT" AT THIS LOCATION
H3	2021/05/24	REMOVED OBSOLETE P/N 1111123660, 1111122620, 1111124620, 1111125620, 1111126620, 1111127620, 1111128620, 1111128620, 747540622.

THIS DRAWING CONTAINS INFORMATION THAT IS PROPRIETARY TO MOLEX ELECTRONIC TECHNOLOGIES, LLC AND SHOULD NOT BE USED WITHOUT WRITTEN PERMISSION									
DIMENSION UNITS	SCALE	CURRENT REV DESC: OBSOLETE PART NUMBER AS PER PCN#509457.			<b>molex</b>				
mm	1:1								
GENERAL TOLERANCES (UNLESS SPECIFIED)					SFP+ 1X6 CAGE, .120 INCH PRESS FIT, HEAT SINKS, WITH EMI SPRING FINGERS				
ANGULAR TOL	± 1.0°	EC NO: 680890			PRODUCT CUSTOMER DRAWING				
4 PLACES	±	DRWN: SANTHN 2021/05/24			DOCUMENT NUMBER				
3 PLACES	±	CHK'D: GGA 2021/11/25			1111122620				
2 PLACES	± 0.15	APPR: GGA 2021/11/25			PSD ASY H3				
1 PLACE	± 0.25	INITIAL REVISION:			MATERIAL NUMBER				
0 PLACES	±	DRWN: MHANUMAPPARE 2017/02/23			SEE SHEET 4				
		APPR: RCHEN08 2017/05/03			CUSTOMER				
DRAFT WHERE APPLICABLE MUST REMAIN WITHIN DIMENSIONS		THIRD ANGLE PROJECTION	DRAWING	SERIES	GENERAL MARKET		SHEET NUMBER		
			C-SIZE	111112			9 OF 9		

DOCUMENT STATUS	P1	RELEASE DATE	2021/11/25 12:19:23
-----------------	----	--------------	---------------------