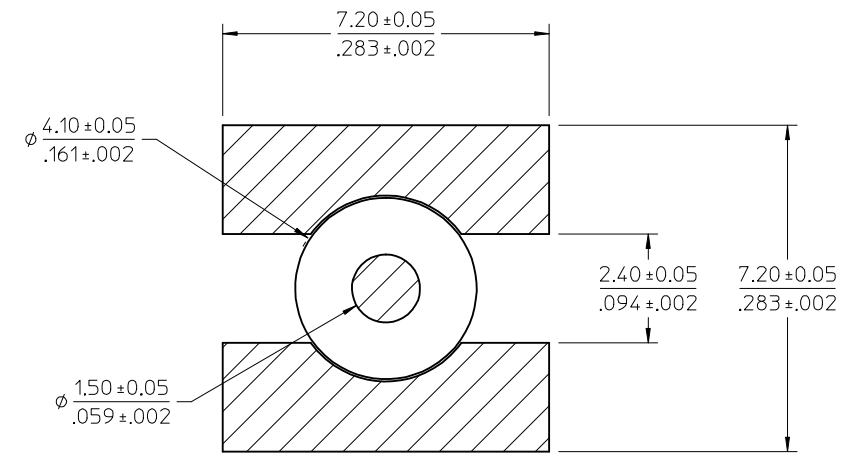
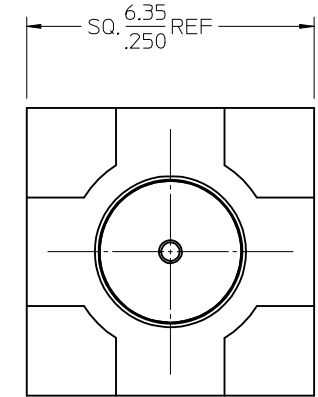
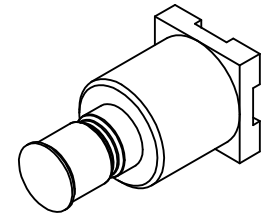
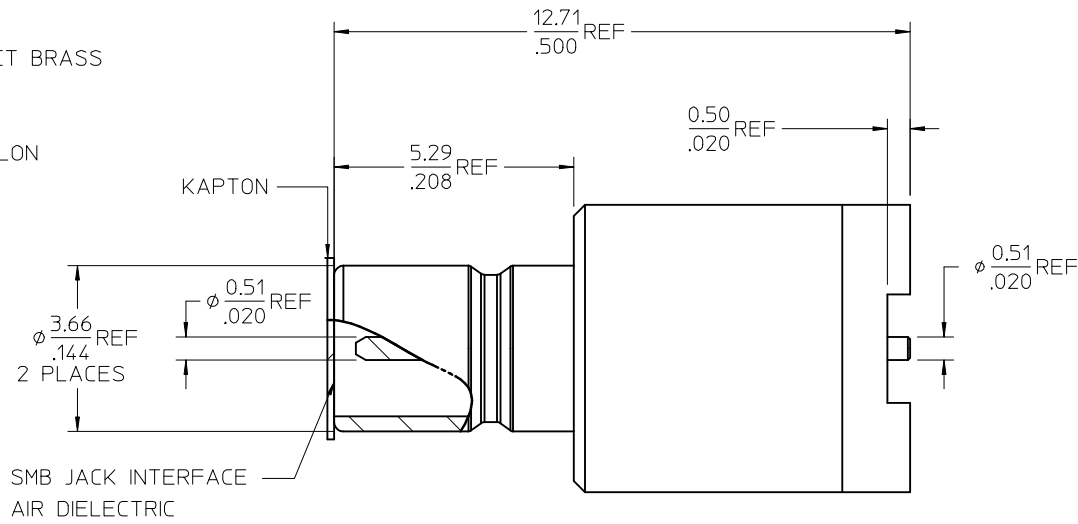


MATERIALS AND FINISHES

BODY BRASS
PLATED GOLD

CENTER CONTACT BRASS
PLATED GOLD

INSULATOR TEFLON

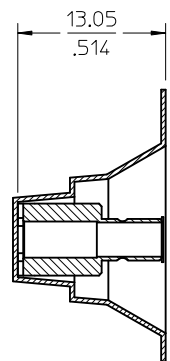


PART # 73404-6260

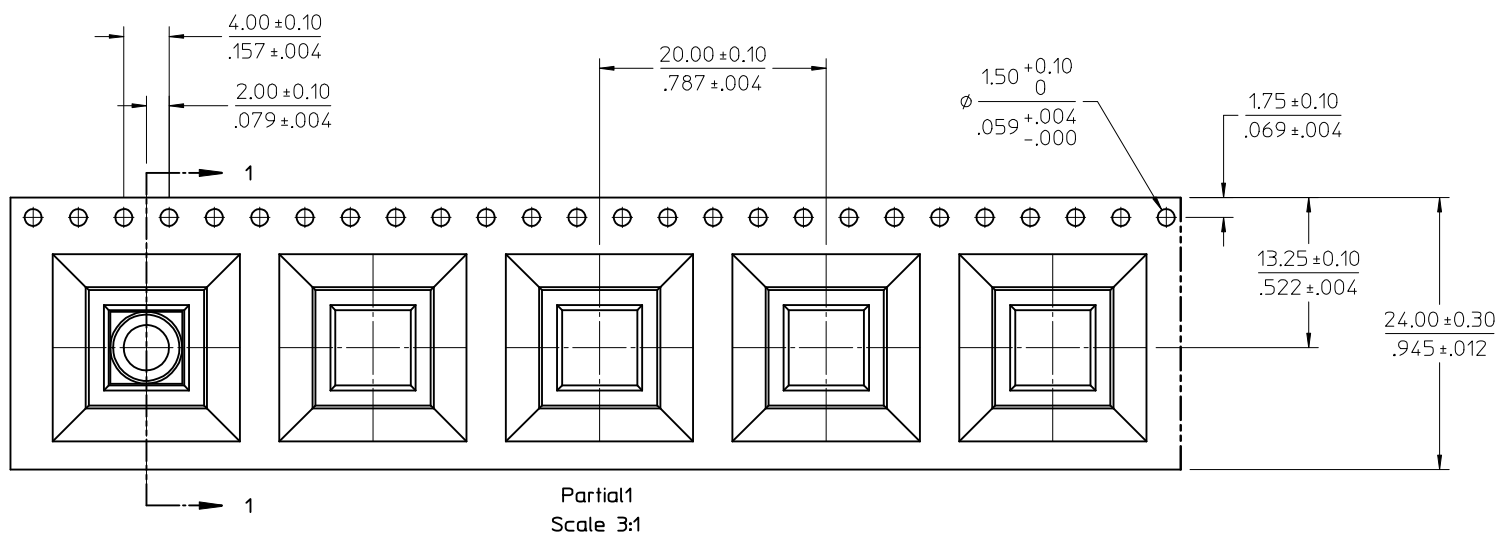
SUGGESTED PCB LAYOUT

MIL-STD-348A, FIG. 311-1	INTERFACE
SPECIFICATION	DESCRIPTION

CHANGE KAPTON OD PER RF15-E191 EC NO: URF2015-0608 DRW:INELIN 2015/05/04 CHKD: APPR:YCHENG 2015/05/05 DESCRIPTION	QUALITY SYMBOLS	GENERAL TOLERANCES (UNLESS SPECIFIED)	DIMENSION STYLE	SCALE	DESIGN UNITS	THIRD ANGLE PROJECTION	
	∇=0 ∇=0 ∇=0	mm INCH 4 PLACES ± --- ± --- 3 PLACES ± --- ± --- 2 PLACES ± --- ± --- 1 PLACE ± --- ± --- 0 PLACE ± --- ± ---	MM/IN	20:1	METRIC	DRAWN BY DATE EL IN 2013/03/26 CHECKED BY DATE ALEX 2013/03/26 APPROVED BY DATE YCHENG 2014/11/11	TITLE SMB JACK STR. 75 OHMS FOR PCB SMT TYPE SMB-J/PCB molex
	ANGULAR ± 2 ° DRAFT WHERE APPLICABLE MUST REMAIN WITHIN DIMENSIONS	MATERIAL NO.	DOCUMENT NO.	SHEET NO.			
	B2	734046260	SD-73404-626	1 OF 4	THIS DRAWING CONTAINS INFORMATION THAT IS PROPRIETARY TO MOLEX INCORPORATED AND SHOULD NOT BE USED WITHOUT WRITTEN PERMISSION		

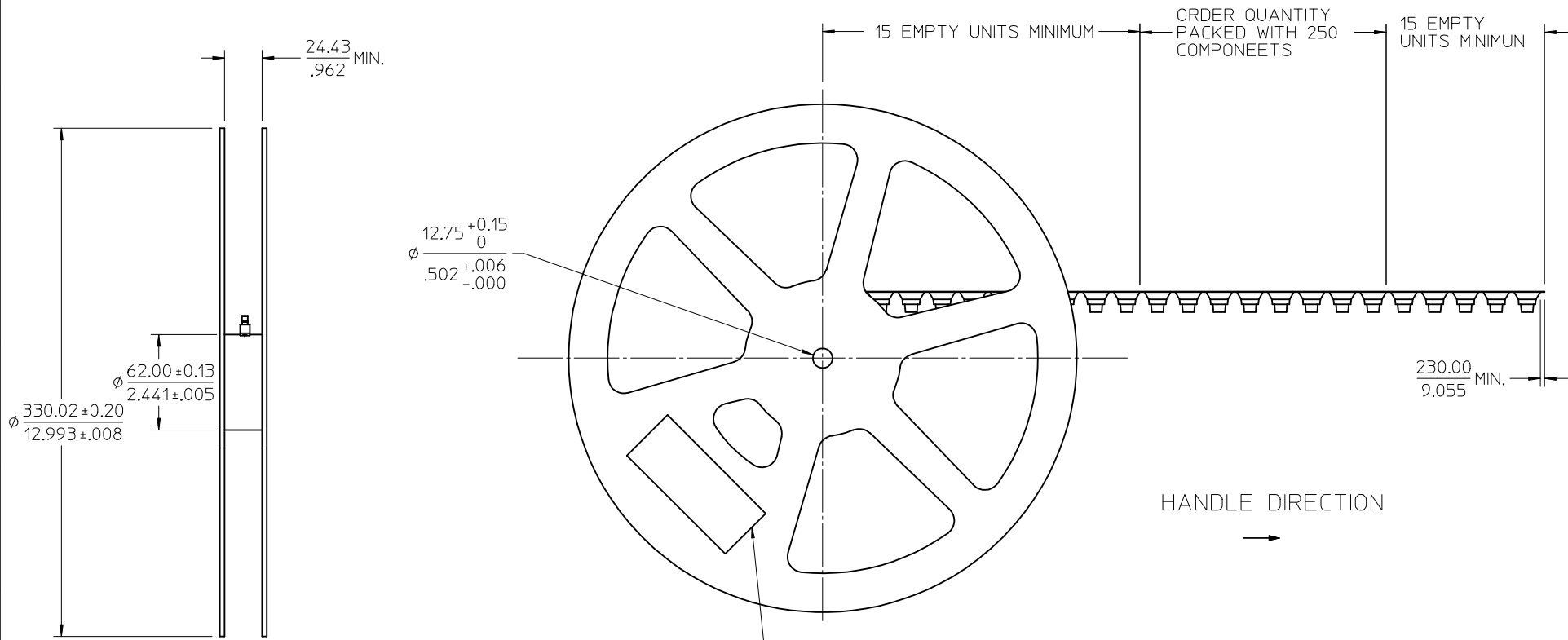


Section 1-1



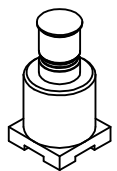
Partial1
Scale 3:1

SEE SHEET 1 EC NO: URF2015-0608 DRAWN: LIN CHKD: APPR: YCHENG 2015/05/04 2015/05/05	QUALITY SYMBOLS	GENERAL TOLERANCES (UNLESS SPECIFIED)		DIMENSION STYLE	SCALE	DESIGN UNITS	THIRD ANGLE PROJECTION
	▽=0	mm	INCH	MM/IN	3:1	METRIC	
	▽=0	4 PLACES ± ---	± ---	DRAWN BY	DATE	TITLE	
	▽=0	3 PLACES ± ---	± ---	EL IN	2013/03/26	SMB JACK STR. 75 OHMS FOR PCB SMT TYPE SMB-J/PCB	
		2 PLACES ± ---	± ---	CHECKED BY	DATE	molex DOCUMENT NO. SD-73404-626 SHEET NO. 2 OF 4	
		1 PLACE ± ---	± ---	ALEX	2013/03/26		
		0 PLACE ± ---	± ---	APPROVED BY	DATE		
				YCHENG	2014/11/11		
				ANGULAR ± 2 °			
				DRAFT WHERE APPLICABLE MUST REMAIN WITHIN DIMENSIONS			
				SEE SHEET 1			
				THIS DRAWING CONTAINS INFORMATION THAT IS PROPRIETARY TO MOLEX INCORPORATED AND SHOULD NOT BE USED WITHOUT WRITTEN PERMISSION			

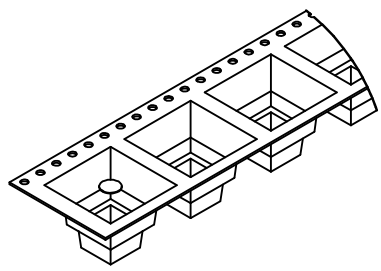


- LABEL:
- ORDER
 - QUANTITY
 - PART NUMBER
 - LOT NO.

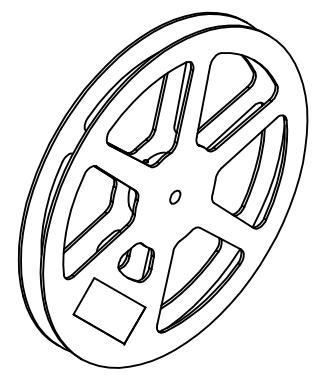
SEE SHEET 1 EC NO: URF2015-0608 DRAWN BY: DRWNLIN 2015/05/04 CHKD: APPR: YCHENG 2015/05/05	QUALITY SYMBOLS	GENERAL TOLERANCES (UNLESS SPECIFIED)		DIMENSION STYLE	SCALE	DESIGN UNITS	THIRD ANGLE PROJECTION
	▽=0	mm	INCH	MM/IN	1:2	METRIC	☉
	▽=0	4 PLACES ± --- ± ---	3 PLACES ± --- ± ---	DRAWN BY	DATE	TITLE	
	▽=0	2 PLACES ± --- ± ---	1 PLACE ± --- ± ---	CHECKED BY	DATE	SMB JACK STR. 75 OHMS FOR PCB SMT TYPE SMB-J/PCB	
REV	DESCRIPTION	ANGULAR ± 2 °		APPROVED BY	DATE	molex	
B2		DRAFT WHERE APPLICABLE MUST REMAIN WITHIN DIMENSIONS		YCHENG	2014/11/11	DOCUMENT NO.	SHEET NO.
				SEE SHEET 1		SD-73404-626	3 OF 4
THIS DRAWING CONTAINS INFORMATION THAT IS PROPRIETARY TO MOLEX INCORPORATED AND SHOULD NOT BE USED WITHOUT WRITTEN PERMISSION							



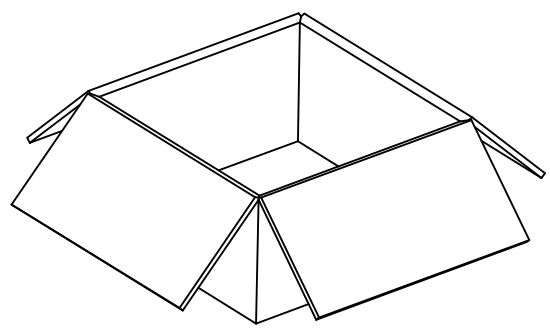
P/N: 73404-6260



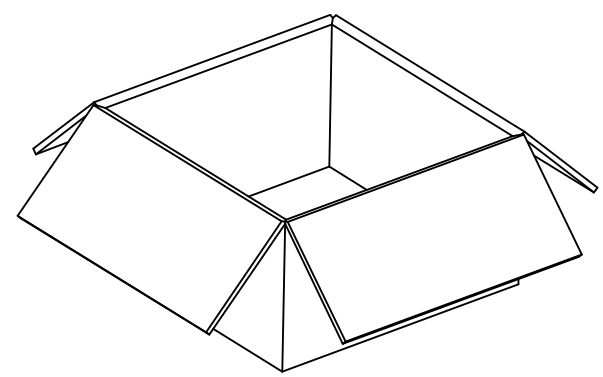
Partial2
Scale 1.5:1



250 SET PER 13" REEL



1250 SET PER INNER
CARTON BOX
343 X 343 X 188 REF.



1250 SET PER OUTER
CARTON BOX
394 X 391 X 212 REF.

SEE SHEET 1 EC NO: URF2015-0608 DRAWN BY: DRWNLIN 2015/05/04 CHKD: YCHENG APPR: YCHENG 2015/05/05 REV: B2	QUALITY SYMBOLS	GENERAL TOLERANCES (UNLESS SPECIFIED)		DIMENSION STYLE	SCALE	DESIGN UNITS	THIRD ANGLE PROJECTION
	▽=0	mm	INCH	MM/IN	4:1	METRIC	☉
	▽=0	4 PLACES ± ---	± ---	EL IN	DATE	TITLE	
	▽=0	3 PLACES ± ---	± ---	CHECKED BY	DATE	SMB JACK STR. 75 OHMS FOR PCB SMT TYPE SMB-J/PCB	
		2 PLACES ± ---	± ---	ALEX	2013/03/26	molex DOCUMENT NO. SD-73404-626 SHEET NO. 4 OF 4	
		1 PLACE ± ---	± ---	APPROVED BY	DATE		
		0 PLACE ± ---	± ---	YCHENG	2014/11/11		
		ANGULAR ± 2 °		MATERIAL NO.			
		DRAFT WHERE APPLICABLE MUST REMAIN WITHIN DIMENSIONS		SEE SHEET 1			
				SIZE C		THIS DRAWING CONTAINS INFORMATION THAT IS PROPRIETARY TO MOLEX INCORPORATED AND SHOULD NOT BE USED WITHOUT WRITTEN PERMISSION	