

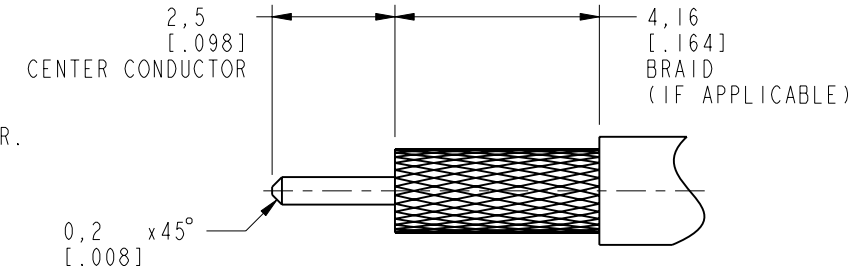
NOTES:

- MATERIALS AND FINISHES:
 BODY & NUT - BRASS, NICKEL PLATING
 CONTACT - BeCu, GOLD PLATING
 INSULATOR & INSULATOR DISC - PTFE, NATURAL
 BODY-REAR - BRASS, GOLD PLATING
- ELECTRICAL:
 A. IMPEDANCE: 50 OHM
 B. FREQUENCY RANGE: DC - 6 GHz
 C. RETURN LOSS: -25 dB MAX. DC - 3 GHz
 -20 dB MAX. 3 - 6 GHz
 D. DIELECTRIC WITHSTANDING VOLTAGE: 500 VRMS, MIN.
- MECHANICAL:
 A. DURABILITY: 500 CYCLES MIN.
 B. TEMPERATURE RANGE: -65°C TO +165°C
- ENVIRONMENTAL:
 A. THERMAL SHOCK PER MIL-STD-202 METHOD 107
 TEST CONDITION B (EXCEPT HIGH TEMP @200 C).
 B. VIBRATION: MIL-STD-202 METHOD 204 TEST CONDITION B.
 C. SHOCK: MIL-STD-202 METHOD 213 TEST CONDITION B.
 D. CORROSION: MIL-STD-202 METHOD 101
 TEST CONDITION B 5% SALT SOLUTION.

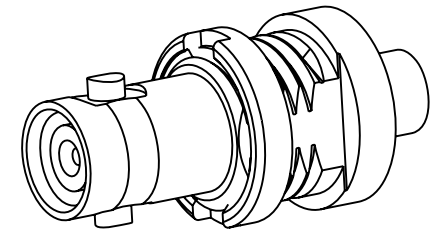
- PACKAGING:
 A. QUANTITY: SINGLE PACK
 B. MARKING: BAG TO BE MARKED
 "AMPHENOL RF, 34-5043, AND DATE CODE
 U.S. PATENT NO. 7,553,177"
 - AMPHENOL SPANNER WRENCH 227-1490 REQUIRED TO MOUNT CONNECTOR TO PANEL.
 - CABLE ASSEMBLY INSTRUCTIONS:
 A. TRIM CABLE AS SHOWN.
 B. SLIDE INSULATOR DISC OVER THE CABLE CENTER CONDUCTOR.
 C. SOLDER CENTER CONTACT TO CABLE CENTER CONDUCTOR.
 D. SOLDER OUTER CONDUCTOR OF CABLE TO REAR BODY.
- 8 SHOWS CABLE ENTRY DIMENSIONS.

THIRD ANGLE PROJ.

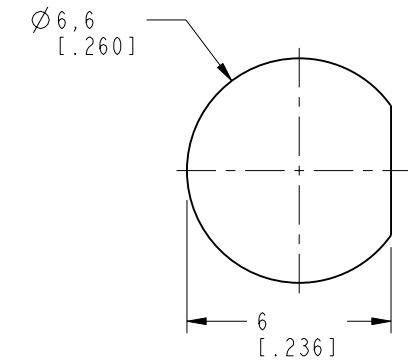
		REVISIONS			
REV	DESCRIPTION	DATE	ECN	APPR	
A	RELEASE TO MANUFACTURING	02-Oct-18	09281	CJV	



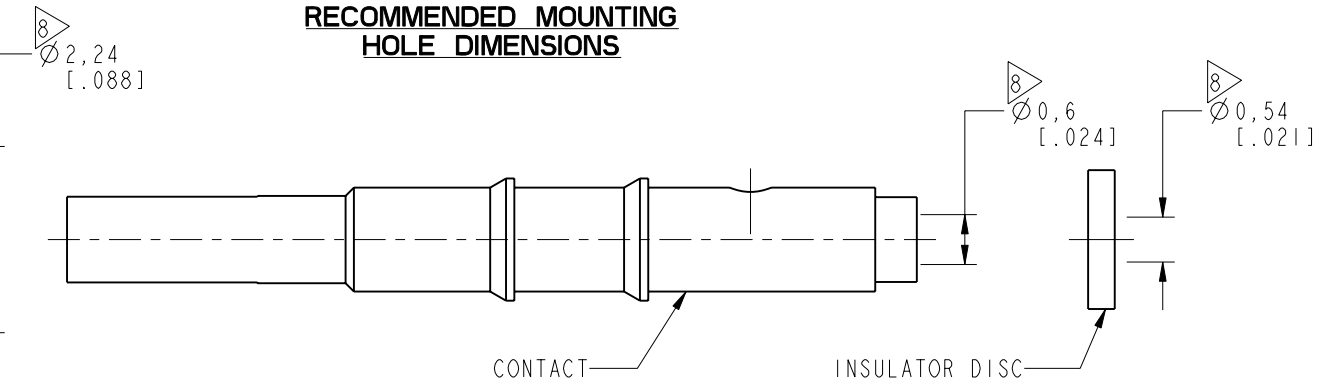
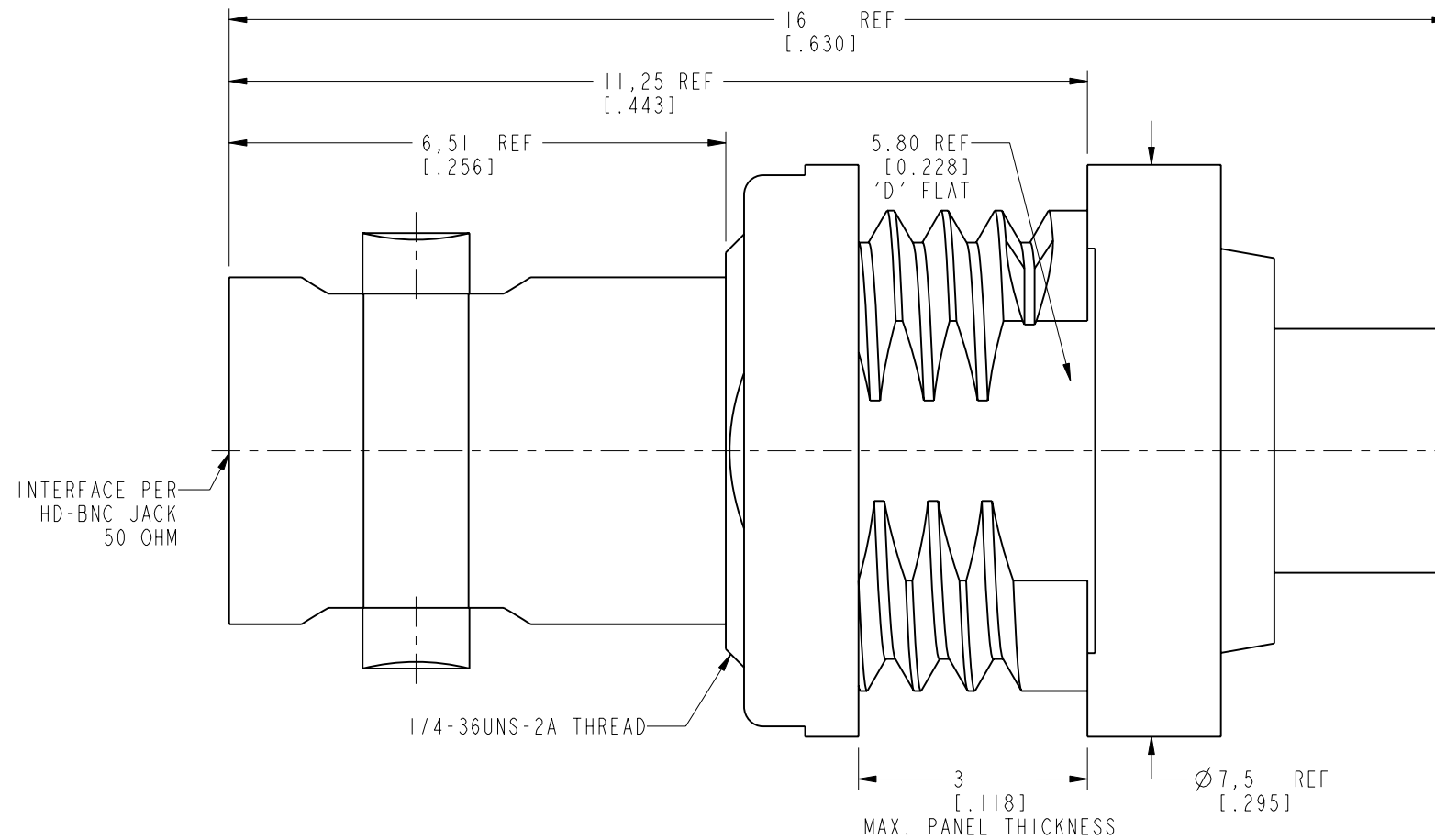
RECOMMENDED CABLE STRIPPING DIMENSIONS



SCALE 3.500



RECOMMENDED MOUNTING HOLE DIMENSIONS



PROTECTED UNDER U.S. PATENT # 7,553,117

CUSTOMER OUTLINE DRAWING

ALL OTHER SHEETS ARE FOR INTERNAL USE ONLY

UNLESS OTHERWISE SPECIFIED, DIMENSIONS ARE IN METRIC AND TOLERANCES ARE: <0.5mm ±0.05mm 0.5 - 6mm ±0.1mm 6 - 30mm ±0.2mm 30 - 120mm ±0.3mm ANGLES ±1°	MATERIAL	DRAWN	DATE	TITLE 50 OHM HD-BNC STR BHD JACK FOR 0.086" CONFORMABLE CABLE		Amphenol RF www.amphenolrf.com
	SEE NOTE	W. ZENG	9-Oct-18			
NOTICE - These drawings, specifications, or other data (1) are, and remain the property of Amphenol corp. (2) must be returned upon request; and (3) are confidential and not to be disclosed to any person other than those to whom they are given by Amphenol Corp. the furnishing of these drawings, specifications, or other data by Amphenol Corp., or to any other person to anyone for any purpose is not to be regarded by implication or otherwise in any manner licensing, granting rights to permitting such holder or any other person to manufacture, use or sell any product, process or design, patented or otherwise, that may in any way be related to or disclosed by said drawings, specifications, or other data.	REFERENCE	ENGINEER	DATE	SCALE: 11.0:1.0 SHEET 2 OF 2		DRAWING NO. 34-5043
	EAR# 7774	S. DUAN	15-Oct-18			ITEM NO. 34-5043
	REF:	APPROVED	DATE	REV	PART NO. 34-5043	
	CONFIGURATION LEVEL: In Work	S. HSIEH	15-Oct-18	A		
FINISH	CAD FILE	DWG SIZE		B		