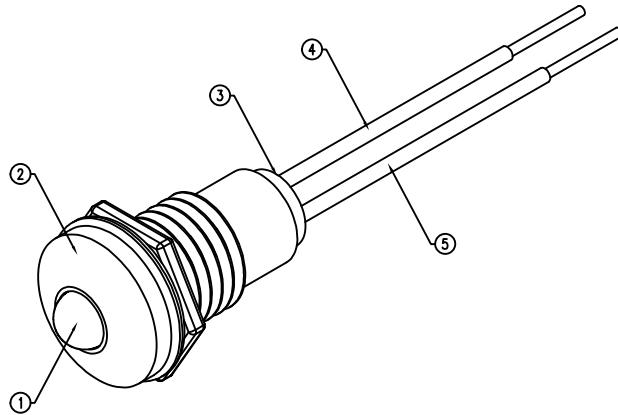
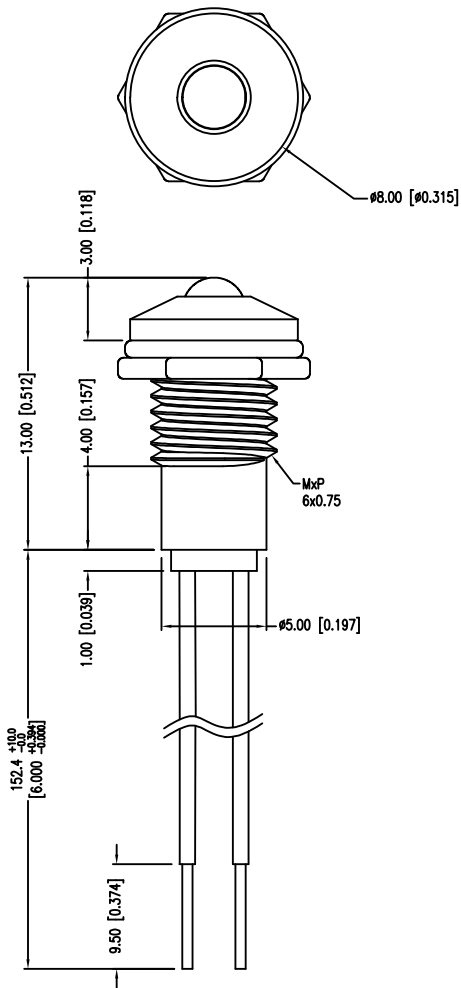
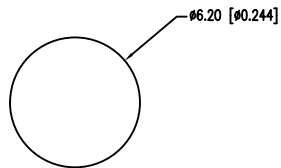


PART NUMBER	SSI-LXR3612SOD-150	REV.	A
DATE	E.C.N. NUMBER AND REVISION COMMENTS		REV.
05.24.16	ECN-Lumex201600011		A



PANEL CUTOUT



ELECTRO-OPTICAL CHARACTERISTICS Ta=25°C

PARAMETER	MIN	TYP	MAX	UNITS	UNITS
PEAK WAVELENGTH		610		nm	
FORWARD VOLTAGE		2.1	2.5	Vf	If=20mA
REVERSE VOLTAGE			5.0	Vr	Ir=100µA
LUMINOUS INTENSITY	100			mcd	If=20mA
VIEWING ANGLE		60		2 theta/2	
EMITTED COLOR:	ORANGE				
EPOXY LENS FINISH:	ORANGE DIFFUSED				

LIMITS OF SAFE OPERATION AT 25°C

PARAMETER	MAX	UNITS
PEAK FORWARD CURRENT*	150	mA
FORWARD CURRENT	30	mA
POWER DISSIPATION	105	mW
DERATE FROM 25°C	-1.6	mW/°C
OPERATING TEMP.	-40 TO +85	°C
STORAGE TEMP.	-40 TO +85	°C

\* t<10µs

NOTES:

1. SSL-LX3054SOD, ORANGE LED, TRIM LEADS TO 5mm.
2. SSI-LXR3612 HOLDER, CHROME FINISH.
3. SSH-LXH1612B5G, BUSHING, INSERT AND CRIMP.
4. ANODE LEAD: LXP-WST26RDTC, 26 AWG. STRANDED, RED INSULATION, CUT TO 157mm LONG, STRIP ENDS 2mm AND 9.5mm.
5. CATHODE LEAD: LXP-WST26BLTC, 26 AWG. STRANDED, BLACK INSULATION, CUT TO 157mm LONG, STRIP ENDS 2mm AND 9.5mm.
6. SOLDER LED LEADS TO WIRE LEADS.

\*UNLESS OTHERWISE SPECIFIED TOLERANCES PER DECIMAL PRECISION ARE: X=±1 (±0.039), X.X=±0.5 (±0.020), X.XX=±0.25 (±0.010), X.XXX=±0.127 (±0.005). LEAD SIZE=±0.05 (±0.002), LEAD LENGTH=±0.75 (±0.030). MIN= +DECIMAL PRECISION MAX.= +0.00 -DECIMAL PRECISION



425 N. GARY AVE.  
CAROL STREAM, IL 60188  
PHONE: 800-278-5666  
FAX: 630-315-2150  
WEB: WWW.LUMEX.COM

T-3mm (T-1) 610nm AlInGaP ORANGE LED PANEL INDICATOR, ORANGE DIFFUSED LENS, WITH 6" WIRE LEADS.

\*\*THE SPECIFICATIONS MAY CHANGE AT ANY TIME WITHOUT NOTICE DUE TO NEW MATERIALS OR PRODUCT IMPROVEMENT.\*\*

CONFIDENTIAL INFORMATION  
THE INFORMATION CONTAINED IN THIS DOCUMENT IS THE PROPERTY OF LUMEX INC. EXCEPT AS SPECIFICALLY AUTHORIZED IN WRITING BY LUMEX INC., THE HOLDER OF THIS DOCUMENT SHALL KEEP ALL INFORMATION CONTAINED HEREIN CONFIDENTIAL AND SHALL PROTECT SAME IN WHOLE OR IN PART FROM DISCLOSURE AND DISSEMINATION TO ALL THIRD PARTIES.

DATE:	05.24.16	DRAWN BY:	E.C.
PAGE:	1 OF 1	CHKD BY:	G.Y.
SCALE:	NTS	APRVD BY:	Ray
UNIT:	mm [INCH]		