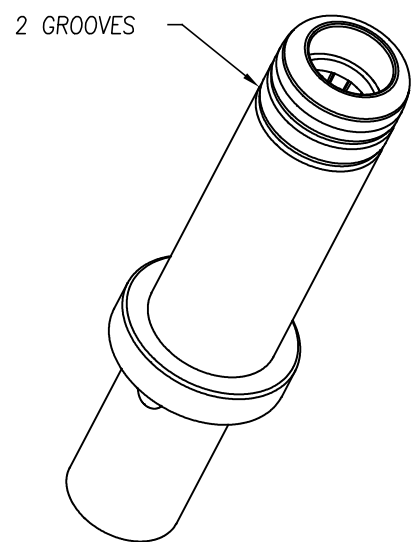
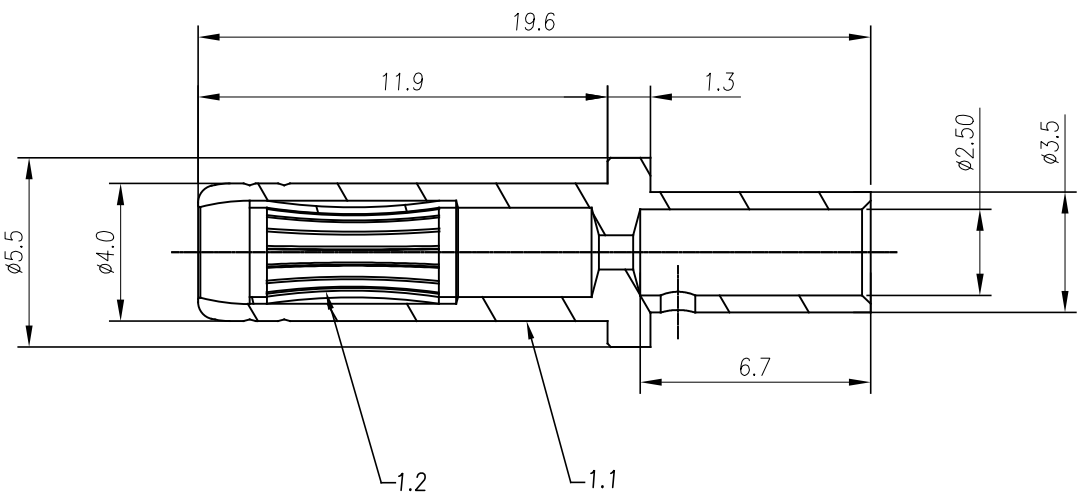


REVISIONS					
REV	ECO	DESCRIPTION	DATE	BY	APPR
A1	-	RELEASED DRAWING	APR-16-2020	BLINK	TOMMY



NOTES: (UNLESS OTHERWISE SPECIFIED)

- MATERIAL:
  - CONTACT BODY: COPPER ALLOY, SILVER PLATED.
  - CROWN SRPRING CONTACT: COPPER ALLOY, GOLD FLASH.
- SPECIFICATIONS:
  - CURRENT RATING: 20A(MAX).
  - TERMINATION TYPE: CRIMPING.
  - WIRE RANGE: 14~16AWG .
- SUITABLE SOCKET TYPE: SC000611&SC000565.
- RoHS COMPLIANT.
- ALL DIMENSIONS ARE FOR REFERENCE USE ONLY.

TITLE: 2.4MM FEMALE SURESOCKET™  
 DWG NO: SC000692  
 REV: A1  
 SH: 1  
 OF: 1

QUANTITY	PART NUMBER	DESCRIPTION	ITEM															
<b>MATERIALS LIST</b>																		
UNLESS OTHERWISE SPECIFIED 1) All dimensions are in metric(mm). 2) Tolerances are as follows: 1 PL DEC ±0.30    Fractions ±1/64 2 PL DEC ±0.15    Angles ±1° 3 PL DEC ±0.08 3) Note reference =		<b>Amphenol</b> Sine Systems - www.amphenol-sine.com 44724 Morley Drive Clinton Township, MI 48036																
MATERIAL SPECIFICATIONS: PROCESS SPECIFICATIONS: NEXT ASSY:		<table border="1"> <tr> <th colspan="2">SIGNATURES</th> <th>DATE</th> </tr> <tr> <td>DRAWN: BLINK</td> <td>CHECKED: ORION</td> <td>APR-15-2020</td> </tr> <tr> <td colspan="2">APPROVAL: TOMMY</td> <td>APR-20-2020</td> </tr> <tr> <td colspan="3">CUSTOMER:</td> </tr> <tr> <td colspan="3">THIS DRAWING IS SUPPLIED FOR INFORMATION ONLY. DESIGN FEATURES, SPECIFICATIONS AND PERFORMANCE DATA SHOWN HEREON ARE THE PROPERTY OF THE AMPHENOL CORPORATION. NO RIGHTS OF REPRODUCTION ARE IMPLIED. ALL DIMENSIONS ARE SUBJECT TO NORMAL MANUFACTURING VARIATIONS.</td> </tr> </table>		SIGNATURES		DATE	DRAWN: BLINK	CHECKED: ORION	APR-15-2020	APPROVAL: TOMMY		APR-20-2020	CUSTOMER:			THIS DRAWING IS SUPPLIED FOR INFORMATION ONLY. DESIGN FEATURES, SPECIFICATIONS AND PERFORMANCE DATA SHOWN HEREON ARE THE PROPERTY OF THE AMPHENOL CORPORATION. NO RIGHTS OF REPRODUCTION ARE IMPLIED. ALL DIMENSIONS ARE SUBJECT TO NORMAL MANUFACTURING VARIATIONS.		
SIGNATURES		DATE																
DRAWN: BLINK	CHECKED: ORION	APR-15-2020																
APPROVAL: TOMMY		APR-20-2020																
CUSTOMER:																		
THIS DRAWING IS SUPPLIED FOR INFORMATION ONLY. DESIGN FEATURES, SPECIFICATIONS AND PERFORMANCE DATA SHOWN HEREON ARE THE PROPERTY OF THE AMPHENOL CORPORATION. NO RIGHTS OF REPRODUCTION ARE IMPLIED. ALL DIMENSIONS ARE SUBJECT TO NORMAL MANUFACTURING VARIATIONS.																		
		SIZE: B TYPE: C- SCALE: NONE	DWG NO: SC000692 REVISION: A1 SHEET 1 OF 1															