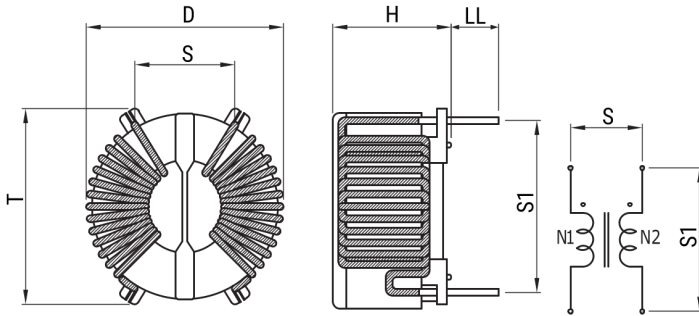


SC-05-E75JKH

Aliases (UALSC05E75JKH0)

KEMET, SC_JKH, AC Line Filters, Common Mode, 8.1mH



Click [here](#) for the 3D model.

Dimensions

| | |
|-----------|--------------|
| D | 32mm MAX |
| T | 34mm MAX |
| H | 18mm MAX |
| LL | 3.5mm +/-1mm |
| S | 11mm NOM |
| S1 | 28mm NOM |
| Wire Size | 0.8mm |

Packaging Specifications

| | |
|--------------------|--------|
| Packaging | Tray |
| Packaging Quantity | 180 |
| Component Weight | 27.2 g |

General Information

| | |
|---------------|---|
| Series | SC_JKH |
| Style | Through-Hole |
| RoHS | Yes |
| Notes | Lead Spacing (S/S1) Are For Reference Only. |
| Miscellaneous | Temperature Rise Maximum: 80 K. |
| Core | Mn-Zn Ferrite |

Specifications

| | |
|-------------------|-------------|
| Voltage AC | 250 VAC |
| Inductance | 8.1mH |
| Current | 5 A |
| Temperature Range | -25/+120°C |
| DC Resistance | 72.45 mOhms |