

# Customer Information Sheet

DRAWING No.: M22-654XX42R

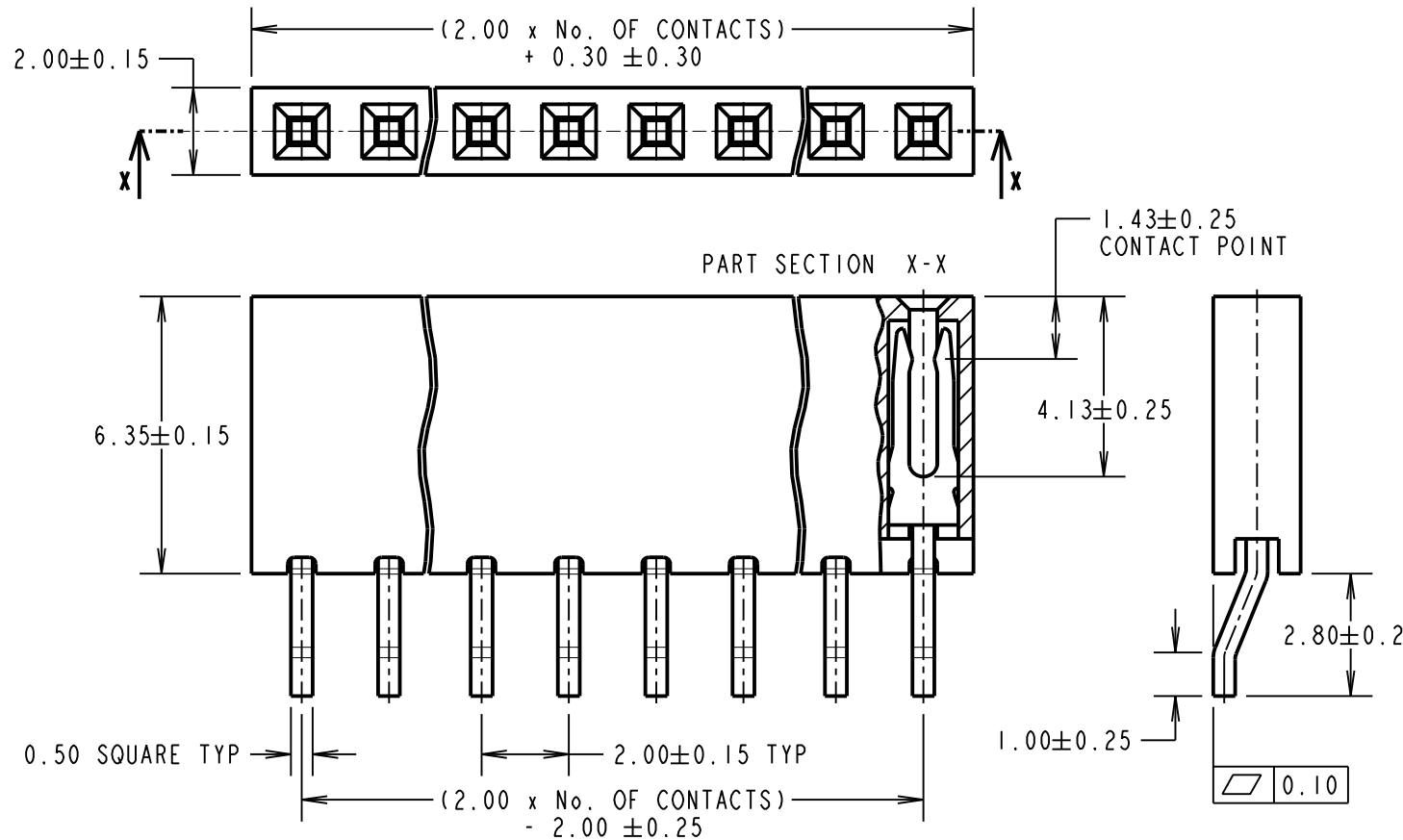
IF IN DOUBT - ASK

©

NOT TO SCALE

THIRD ANGLE PROJECTION

ALL DIMENSIONS IN mm



**COMPONENT SPECIFICATIONS:**

**MATERIAL:**

MOULD = GLASS FILLED LCP, UL94V-0

CONTACTS = PHOSPHOR BRONZE

**FINISH:**

0.76-2.03µm NICKEL ALL OVER,

0.015µm MIN GOLD ON CONTACT,

2.03-5.08µm TIN ON TAILS.

**ELECTRICAL:**

CURRENT RATING = 2A

CONTACT RESISTANCE = 20mΩ MAX

INSULATION RESISTANCE = 1000MΩ MIN

VOLTAGE PROOF = 500V AC FOR ONE MINUTE

**MECHANICAL:**

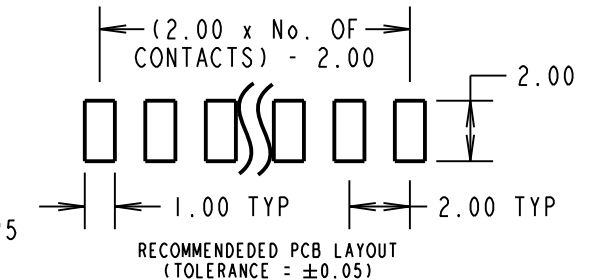
INSERTION FORCE = 1.96N MAX PER CONTACT

WITHDRAWAL FORCE = 0.19N MIN PER CONTACT

DURABILITY = 300 CYCLES MIN

**ENVIRONMENTAL:**

OPERATING TEMPERATURE = -40°C TO +105°C



NOTES:  
1. FOR TAPE AND REEL DETAILS, SEE SHEET 4.

ORDER CODE:  
**M22-654XX42R**  
No. OF CONTACTS PER ROW: \_\_\_\_\_  
02-06, 08, 10

MGP	2	28.01.19	21764
NAME	ISS.	DATE	C/NOTE
APPROVED: MGP			
CHECKED: RP			
DRAWN: M.PERREN			
CUSTOMER REF.:			
ASSEMBLY DRG:			

**HARWIN**

www.harwin.com  
technical@harwin.com

THIS DRAWING AND ANY INFORMATION OR DESCRIPTIVE MATTER SET OUT HEREON ARE CONFIDENTIAL AND COPYRIGHT PROPERTY OF THE HARWIN GROUP AND MUST NOT BE DISCLOSED, LOANED, COPIED OR USED FOR MANUFACTURING, TENDERING OR FOR ANY OTHER PURPOSE WITHOUT THEIR WRITTEN PERMISSION.

**TOLERANCES**  
X. = ±1mm  
X.X = ±0.50mm  
X.XX = ±0.10mm  
X.XXX = ±0.01mm  
ANGLES = ±5°  
UNLESS STATED

**MATERIAL:**  
SEE ABOVE  
**FINISH:** SEE ABOVE  
**S/AREA:** mm<sup>2</sup>

**TITLE:**  
2.00mm PITCH SIL HORIZONTAL SOCKET, SMT TAPE & REEL  
**DRAWING NUMBER:**  
**M22-654XX42R**  
SHT 3 OF 4

# Customer Information Sheet

DRAWING No.: M22-654XX42R

IF IN DOUBT - ASK

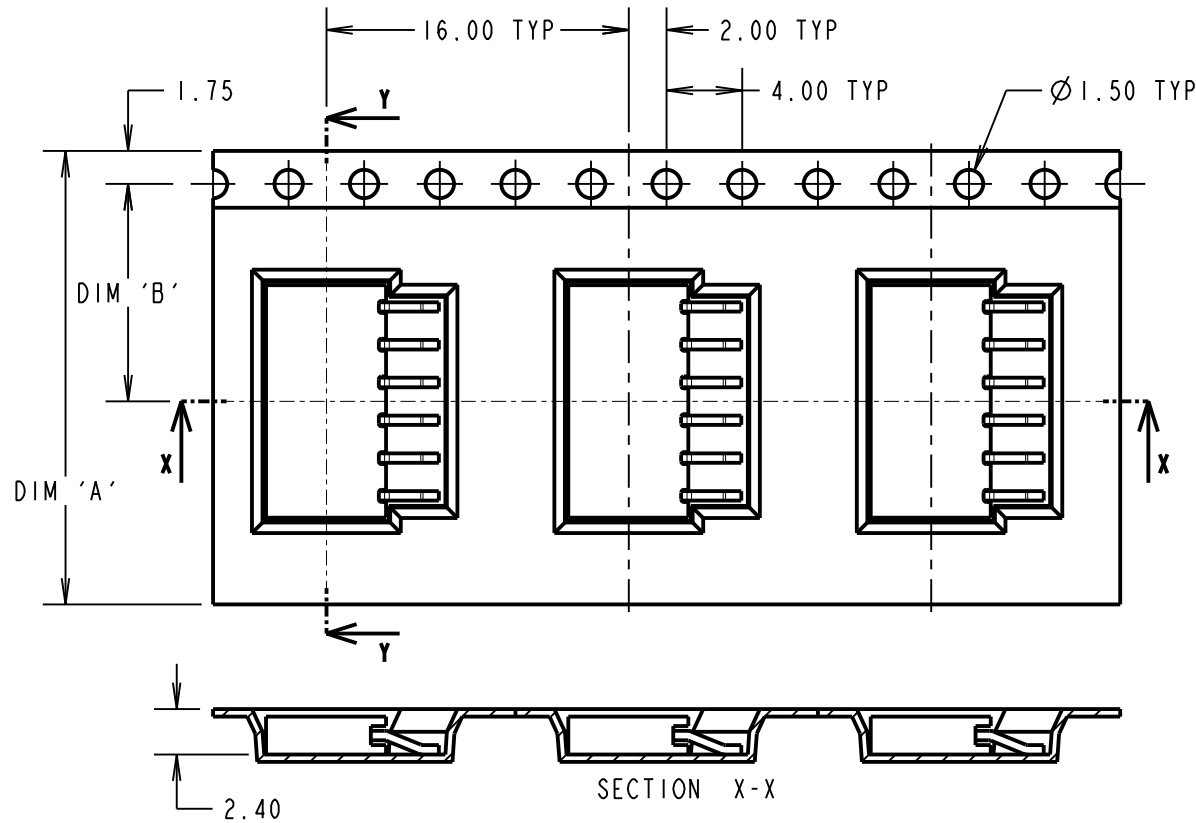
©

NOT TO SCALE

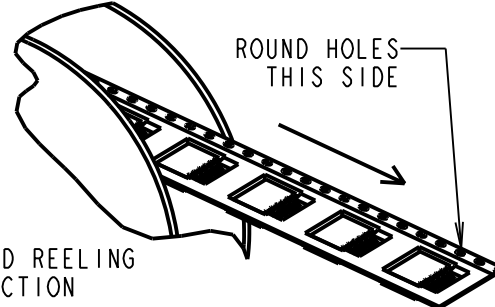
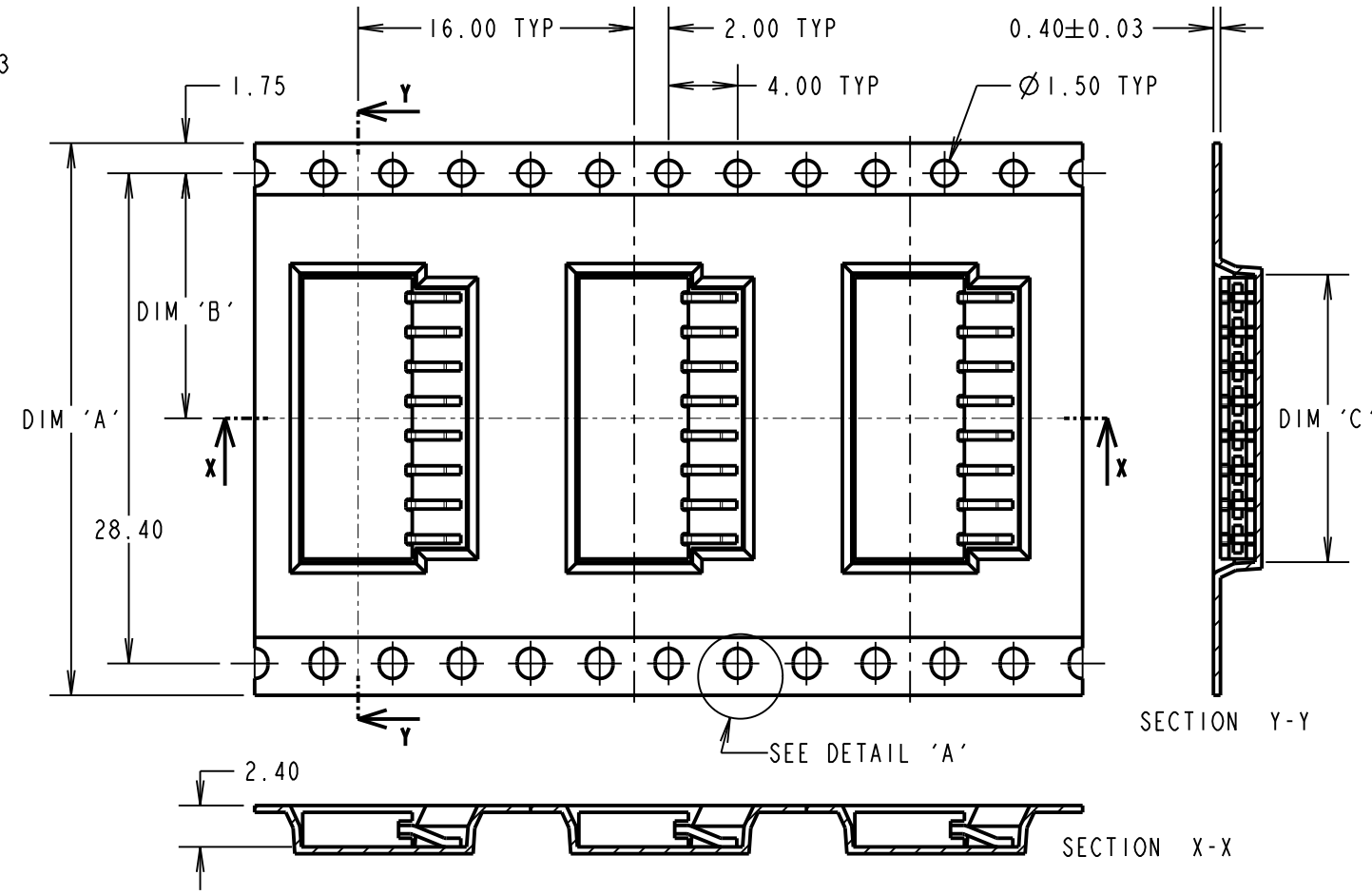
THIRD ANGLE PROJECTION

ALL DIMENSIONS IN mm

TAPE DETAILS FOR  
02, 03, 04, 05 & 06 WAY



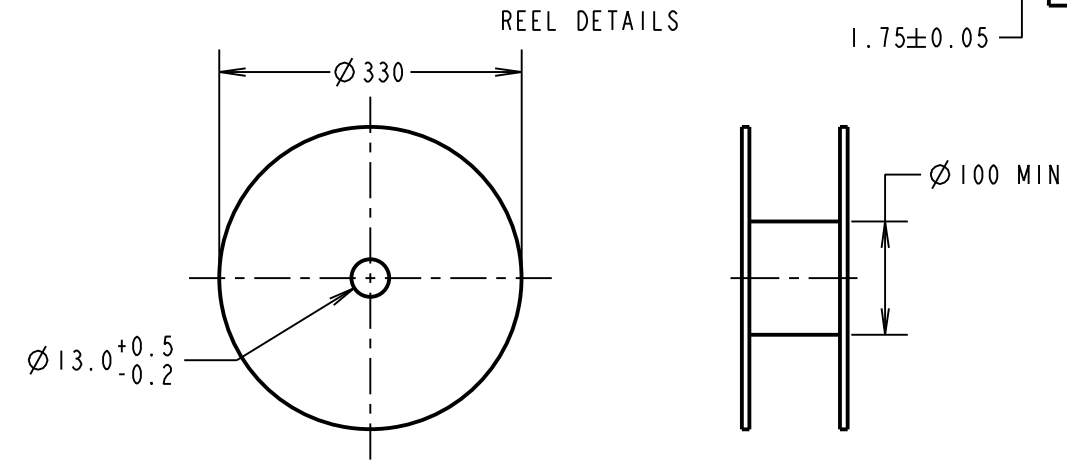
TAPE DETAILS FOR  
08 & 10 WAY



- NOTES:
1. PRODUCT IS TAPE AND REELED IN GENERAL ACCORDANCE WITH EIA-481 (ELECTRONIC INDUSTRIES ASSOCIATION).
  2. FOR CONNECTOR DETAILS AND SPECIFICATIONS, SEE SHEET 3.

ORDER CODE: **M22-654XX42R**  
No. OF CONTACTS PER ROW: \_\_\_\_\_  
02-06, 08, 10

PART No.	DIMENSION			REEL QUANTITY
	DIM 'A'	DIM 'B'	DIM 'C'	
M22-6540242R	16.00±0.30	7.50±0.15	4.65	1300
M22-6540342R	24.00	11.50	6.65	
M22-6540442R			8.65	
M22-6540542R			10.65	
M22-6540642R			12.65	
M22-6540842R	32.00	14.20	16.65	
M22-6541042R			20.65	



MGP	2	28.01.19	21764
NAME	ISS.	DATE	C/NOTE
APPROVED:		MGP	
CHECKED:		RP	
DRAWN:		M.PERREN	
CUSTOMER REF.:			
ASSEMBLY DRG:			

 www.harwin.com technical@harwin.com	THIS DRAWING AND ANY INFORMATION OR DESCRIPTIVE MATTER SET OUT HEREON ARE CONFIDENTIAL AND COPYRIGHT PROPERTY OF THE HARWIN GROUP AND MUST NOT BE DISCLOSED, LOANED, COPIED OR USED FOR MANUFACTURING, TENDERING OR FOR ANY OTHER PURPOSE WITHOUT THEIR WRITTEN PERMISSION.	TOLERANCES	MATERIAL:	TITLE:	SHT 4 OF 4
		X. = ±1mm X.X = ±0.50mm X.XX = ±0.10mm X.XXX = ±0.01mm ANGLES = ±5° UNLESS STATED	SEE SHEET 3	2.00mm PITCH SIL HORIZONTAL SOCKET, SMT TAPE & REEL	
		FINISH:	DRAWING NUMBER:		
		S/AREA:	M22-654XX42R		