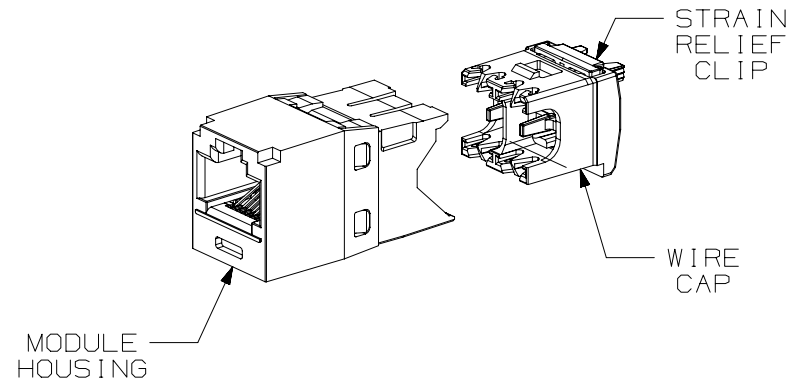
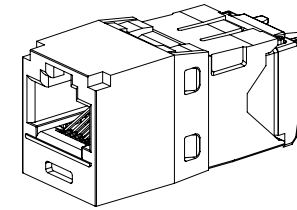
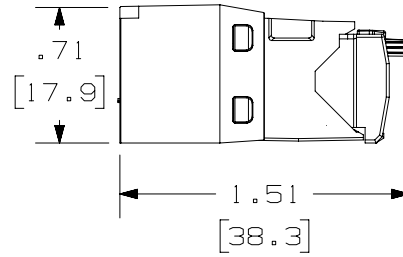
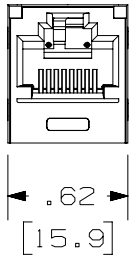


THIS COPY IS PROVIDED ON A RESTRICTED BASIS AND IS NOT TO BE USED IN ANY WAY DETRIMENTAL TO THE INTERESTS OF PANDUIT CORP.

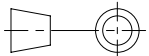


NOTES:

1. VISIT OUR ON-LINE CATALOG AT WWW.PANDUIT.COM FOR A LIST OF CURRENT PARTS APPLICABLE FOR USE WITH THIS PRODUCT.
2. DIMENSIONS IN [] ARE METRIC.
3. ALL MATERIALS AND COMPONENTS USED MEET THE MATERIAL RESTRICTIONS OF RoHS (EUROPEAN DIRECTIVE 2011/65/EU ON THE RESTRICTION OF HAZARDOUS SUBSTANCES) AS PROPOSED BY THE RoHS TECHNICAL ADAPTATION COMMITTEE.
4. WEIGHT: 1.53 LB/100 PCS [695g/100 PCS]
5. PART INCLUDES:
MODULE HOUSING - ABS
WIRE CAP - PC
STRAIN RELIEF CLIP - PC
6. WHITE WIRE CAP DESIGNATES CATEGORY 6 PERFORMANCE.
7. ALL 8 POSITION, 8 WIRE KEYED MODULES ARE T568B WIRING SCHEMES.
8. ALL PVIQ TX6 8 POSITION, 8 WIRE, KEYED JACK MODULES ARE MADE TO ACCEPT ONLY PVIQ KEYED PLUG MODULES.



ACTUAL SIZE

PART NUMBER		CJQ688TGBL										
TITLE		PVIQ TX6 MODULAR KEYED JACK MODULE										
		CUSTOMER DRAWING										
ITEM REVISION NAME		00075SKQ/00										
DATASET FILE NAME		00075SKQ_DC02/00A										
		THIRD ANGLE PROJECTION										
MATERIAL		SEE - NOTE 5										
		DRAWING NUMBER 00075SKQ-02										
00A	3-24-22	BJN	ROJC	JEFK	RELEASED TO PRODUCTION	M09000QA						
REV	DATE	BY	CHK	APR	DESCRIPTION	ECN	DRAWN BY BJN	DATE 3-24-22	CHK ROJC	SCALE NONE	SHEET 1 OF 1	SIZE A

A-SIZE CUSTOMER

2

1

2

1