

CGB1T3X5R0J104M022BB

TDK Item Description : CGB1T3X5R0J104MT****

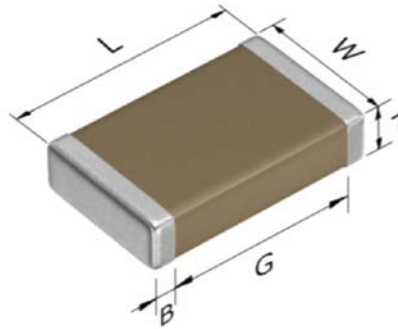


Application & Main Feature

Commercial Grade (Low Profile)

Series

CGB1(0603) [EIA CC0201]



Dimensions

L 0.60mm +/-0.03mm
 W 0.30mm +/-0.03mm
 T 0.19mm +/-0.03mm
 B 0.10mm Min.
 G 0.20mm Min.

Temperature Characteristic

X5R (-55 to 85 degC +/-15%)

Rated Voltage

0J (6.3Vdc)

Capacitance

100nF

Capacitance Tolerance

M (+/-20%)

Dissipation Factor

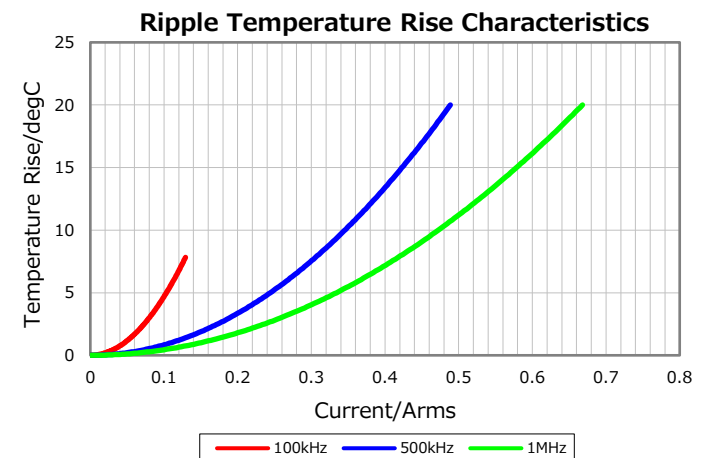
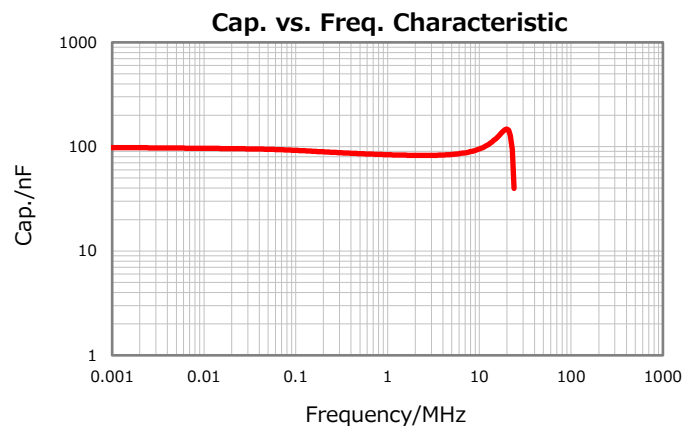
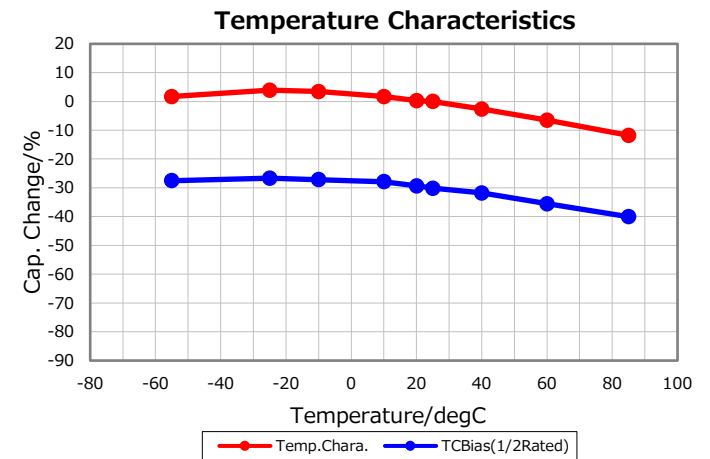
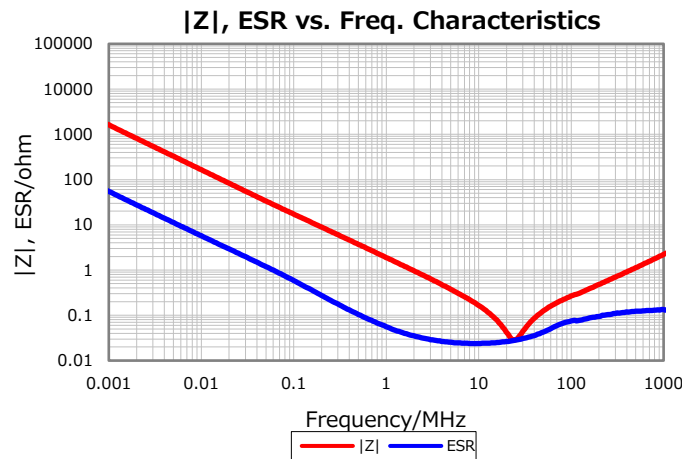
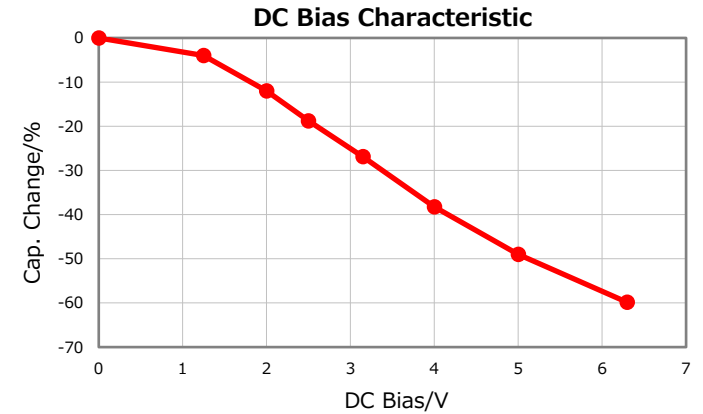
10% Max.

Insulation Resistance

1Gohm Min.

AEC-Q200

Not Applicable



Characterization Sheet (Multilayer Ceramic Chip Capacitors)



All specifications are subject to change without notice.

November 26, 2018