

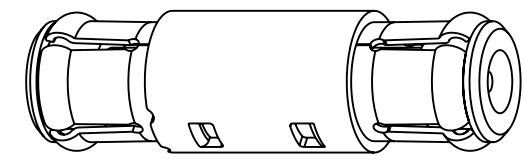
NOTES:

1. MATERIAL AND FINISH:
 - BODY: BERYLLIUM COPPER, ALBALOY PLATING
 - CONTACT PIN: COPPER NICKEL ALLOY, GOLD PLATING
 - INSULATOR: PPO, BLACK
2. ELECTRICAL:
 - A. IMPEDANCE: 50 OHM
 - B. FREQUENCY RANGE: DC - 6 GHz
 - C. RETURN LOSS (VSWR): AT AXIAL FLOAT POSITION
 - DC-3 GHz: 23dB (1.16) @ NOMINAL
 - 20dB (1.22) ± 0.7 mm
 - 3- 6 GHz: 18dB (1.28) @ NOMINAL
 - 15dB (1.44) ± 0.7 mm
 - D. POWER HANDLING: 120 W MAX. @ 2.5GHz AT 85°C
3. MECHANICAL:
 - A. MATING CYCLES: 200 CYCLES MIN FOR SMOOTH BORE
50 CYCLES MIN FOR LIMITED DETENT
 - B. TEMPERATURE RANGE: -40°C TO +85°C
4. PACKAGING:
 - A. PACKAGE IN 50 PIECE TRAYS
 - B. MARK TRAYS: "AMPHENOL RF, 920-509A-51S, DATE CODE, U.S. PATENT NO. 9,735,521 & 9,735,531"

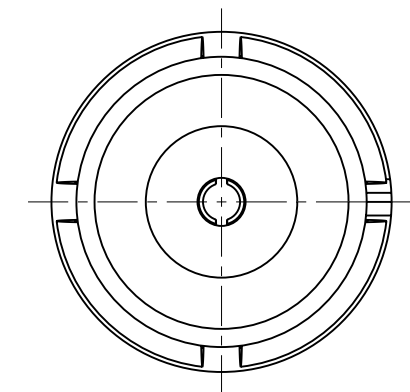
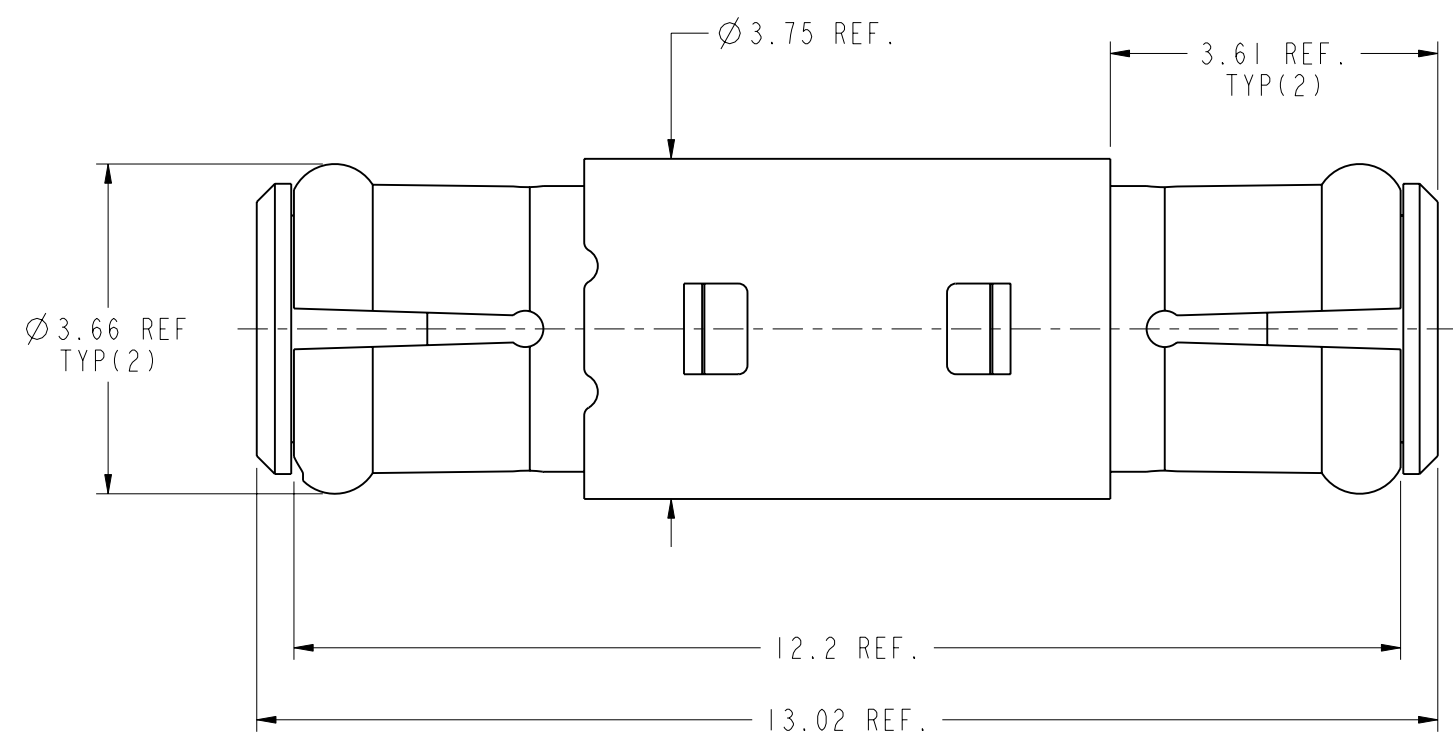
THIRD ANGLE PROJ.

REVISIONS

REV	DESCRIPTION	DATE	ECO	APPR
A	RELEASE TO MFG.	29-May-18	08168	BMG
B	INSULATOR MATERIAL WAS POM	25-Oct-18	09490	EH



SCALE 5.000



PROTECTED UNDER U.S. PATENT # 9,735,521 & 9,735,531

CUSTOMER OUTLINE DRAWING
ALL OTHER SHEETS ARE FOR INTERNAL USE ONLY

UNLESS OTHERWISE SPECIFIED, DIMENSIONS ARE IN METRIC AND TOLERANCES ARE: <0.5mm ± 0.05mm 0.5 - 6mm ± 0.1mm 6 - 30mm ± 0.2mm 30 - 120mm ± 0.3mm ANGLES ± 1°	MATERIAL	DRAWN STAR	DATE 26-Oct-18	TITLE HD-EFI BULLET UPDATED STAMPING	Amphenol RF www.amphenolrf.com
	REFERENCE 7563 AND ----	ENGINEER SUNDE	DATE 31-May-18		
	CONFIGURATION LEVEL: In Work	APPROVED S. HSIEH	DATE 26-Oct-18	ITEM NO. 920-509A-51S	
	FINISH	CAD FILE	SCALE: 12.0:1.0	SHEET 2 OF 2	
		DWG SIZE B	REV B		

NOTICE - These drawings, specifications, or other data (1) are, and remain the property of Amphenol corp. (2) must be returned upon request; and (3) are confidential and not to be disclosed to any person other than those to whom they are given by Amphenol Corp. the furnishing of these drawings, specifications, or other data by Amphenol Corp., or to any other person to anyone for any purpose is not to be regarded by implication or otherwise in any manner licensing, granting rights to permitting such holder or any other person to manufacture, use or sell any product, process or design, patented or otherwise, that may in any way be related to or disclosed by said drawings, specifications, or other data.