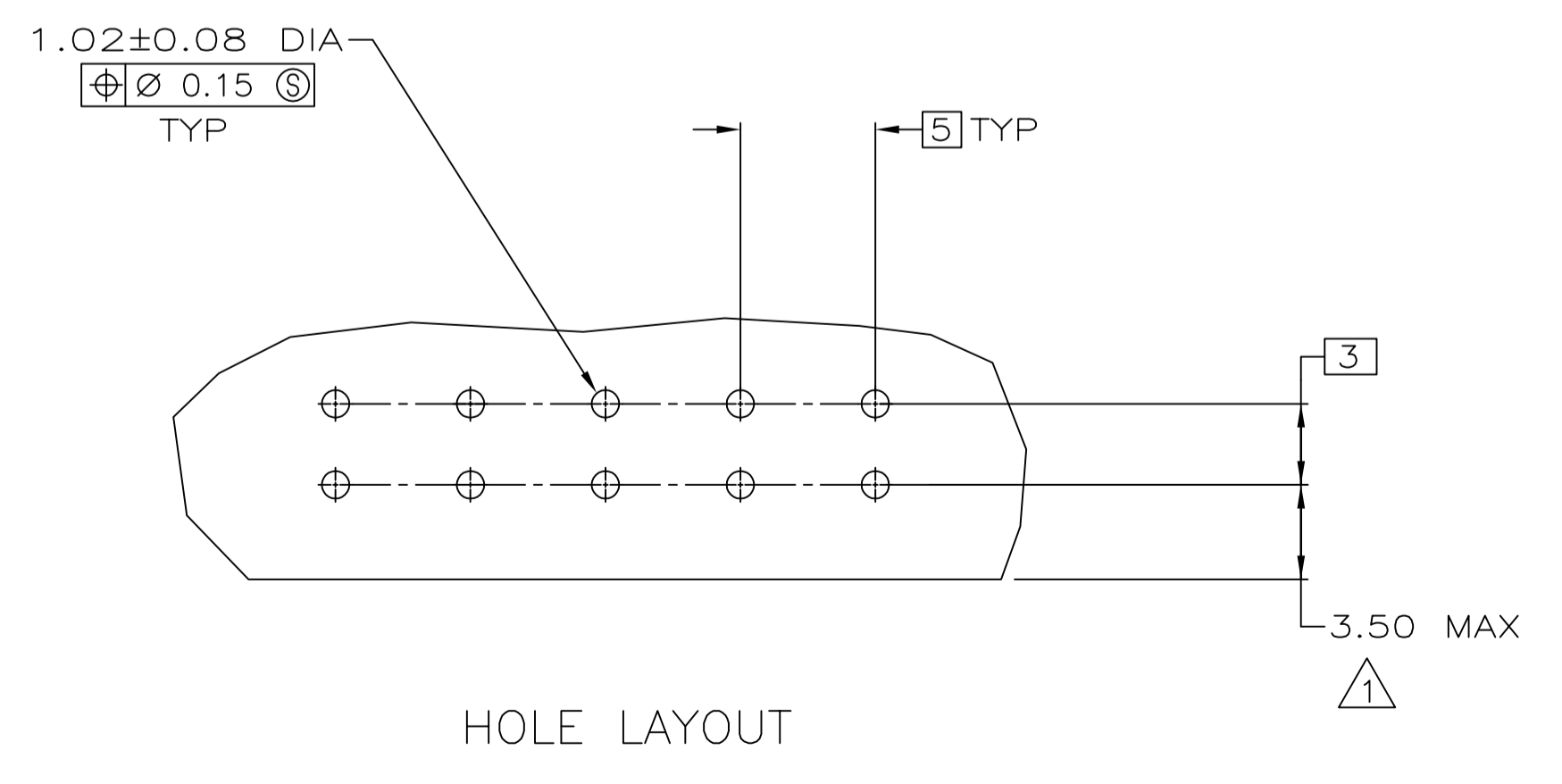
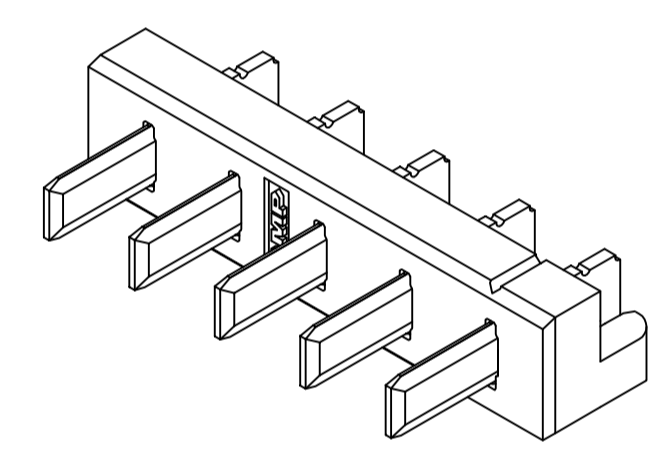
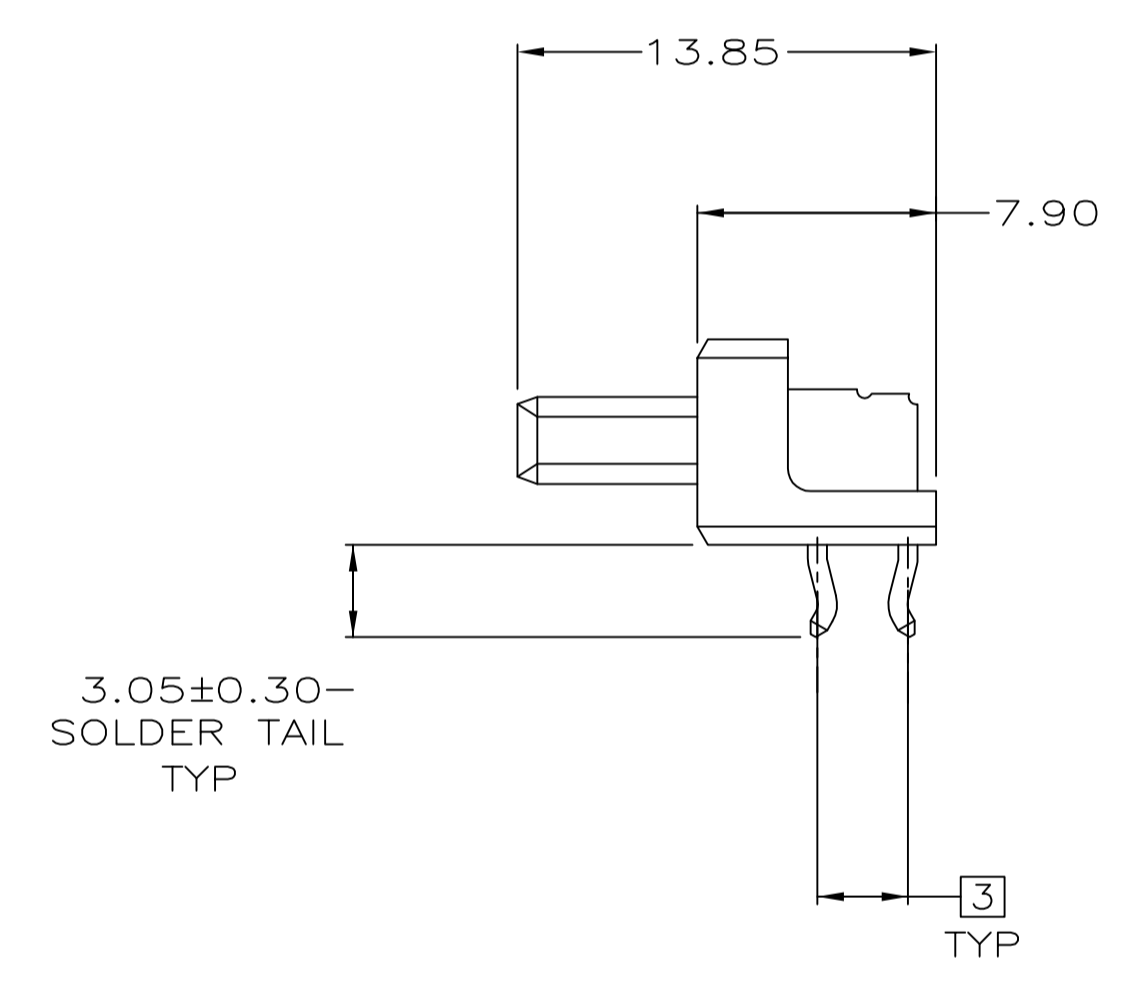
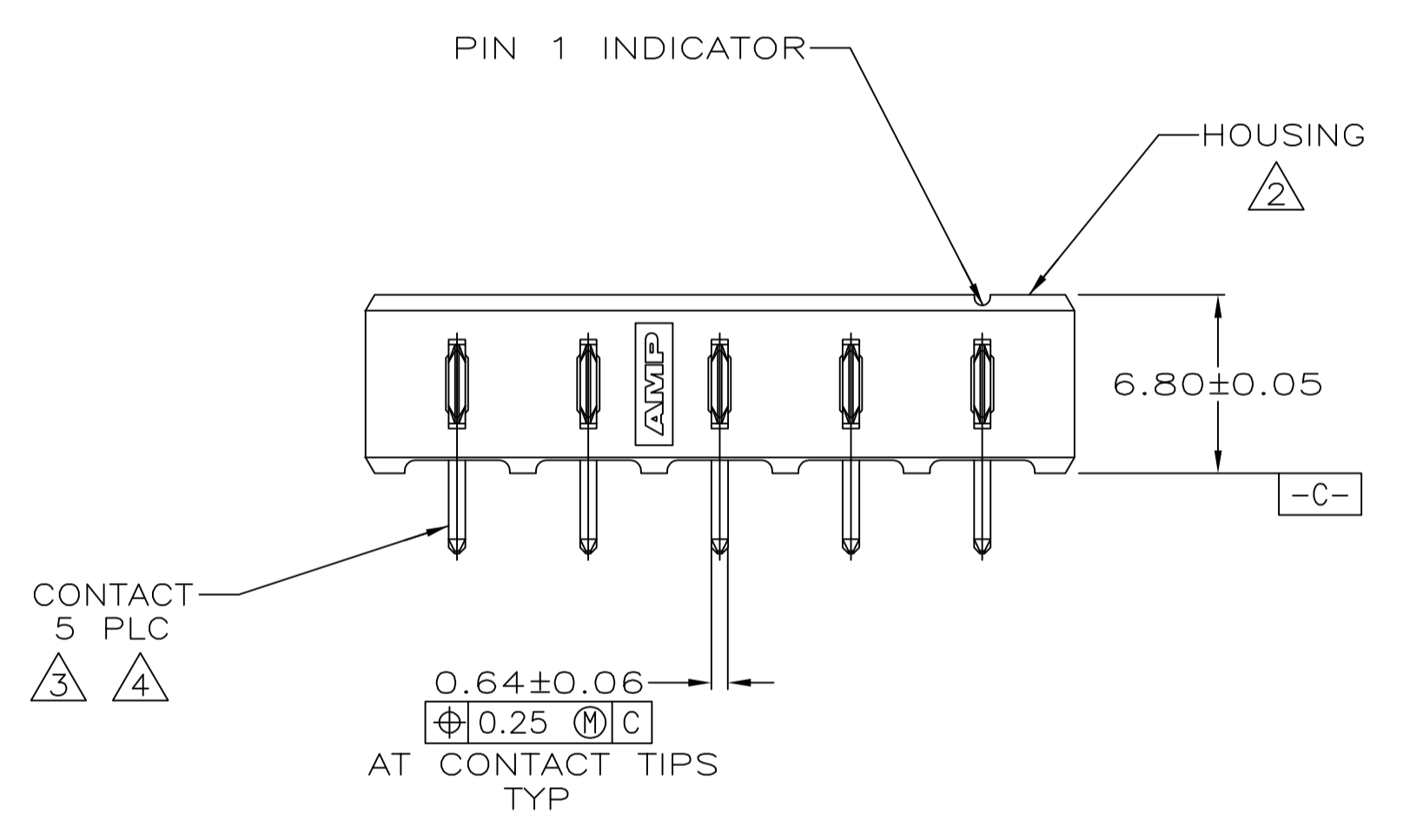
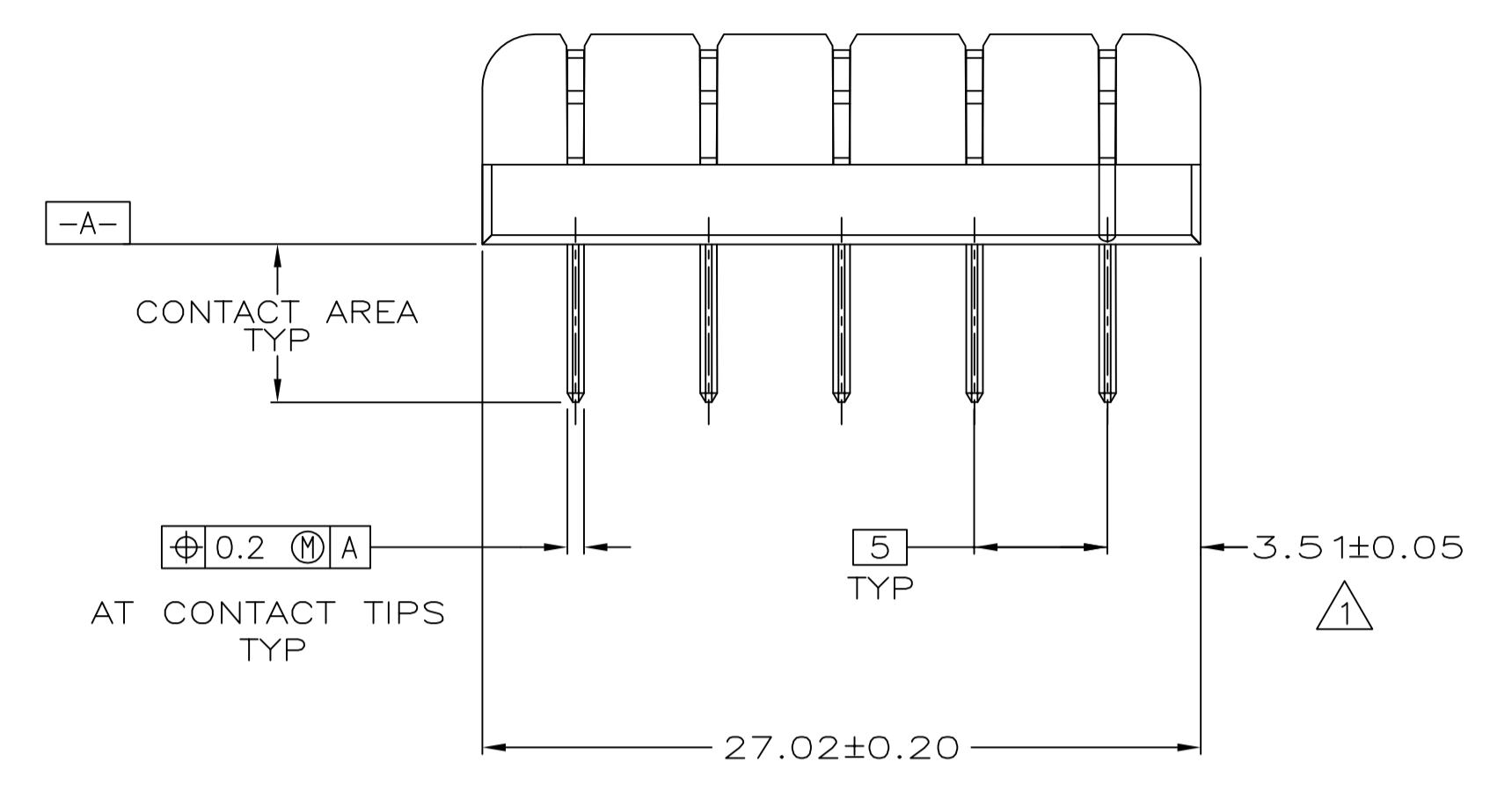


LOC	DIST	REVISIONS					
AD	39	P	LTR	DESCRIPTION	DATE	DWN	APVD
		0		RLSE -1 PER NPR 5307 WAS 95-2197-15-1	03-28-95	SK	SK
		A		REV PER EC 0020-0657-96	12/06/96	JR	RS
		A1		REVISED PER ECR-14-009533	07/07/14	AP	JHA

- △ COORDINATE DIMENSION APPLIES FROM CENTER OF ACTUAL FEATURE.
- △ LCP, BLACK
- △ 2.54 μm MIN TIN-LEAD ON SOLDER TAIL OVER 1.90 μm MIN NICKEL ALL OVER.
- △ CONTACTS: BRASS



SUPERCEDED BY 5787443-1 787443-1
 PART NO

<small>THIS DRAWING IS A CONTROLLED DOCUMENT FOR AMP INCORPORATED. IT IS SUBJECT TO CHANGE AND THE CONTROLLING ENGINEERING ORGANIZATION SHOULD BE CONTACTED FOR THE LATEST REVISION.</small>		DWN: S. KLINE 03-28-95 DRK: S. KLINE 03-30-95 APVD: S. KLINE 03-30-95	TE Connectivity
DIMENSIONS: mm TOLERANCES UNLESS OTHERWISE SPECIFIED: 0 PLC ± 1 PLC ± 2 PLC ±0.13 3 PLC ± 4 PLC ± ANGLES ±	NAME: HEADER ASSEMBLY, RIGHT ANGLE, KEYLESS, 5mm ϕ , 5 POSN. PRODUCT SPEC: 108-1501 APPLICATION SPEC: 114-24005	SIZE: A1 CAGE CODE: 00779 DRAWING NO: 787443	SCALE: 4:1 SHEET: 1 OF 1 REV: A1
MATERIAL: SEE CALLOUTS	FINISH: SEE CALLOUTS	WEIGHT: -	CUSTOMER DRAWING