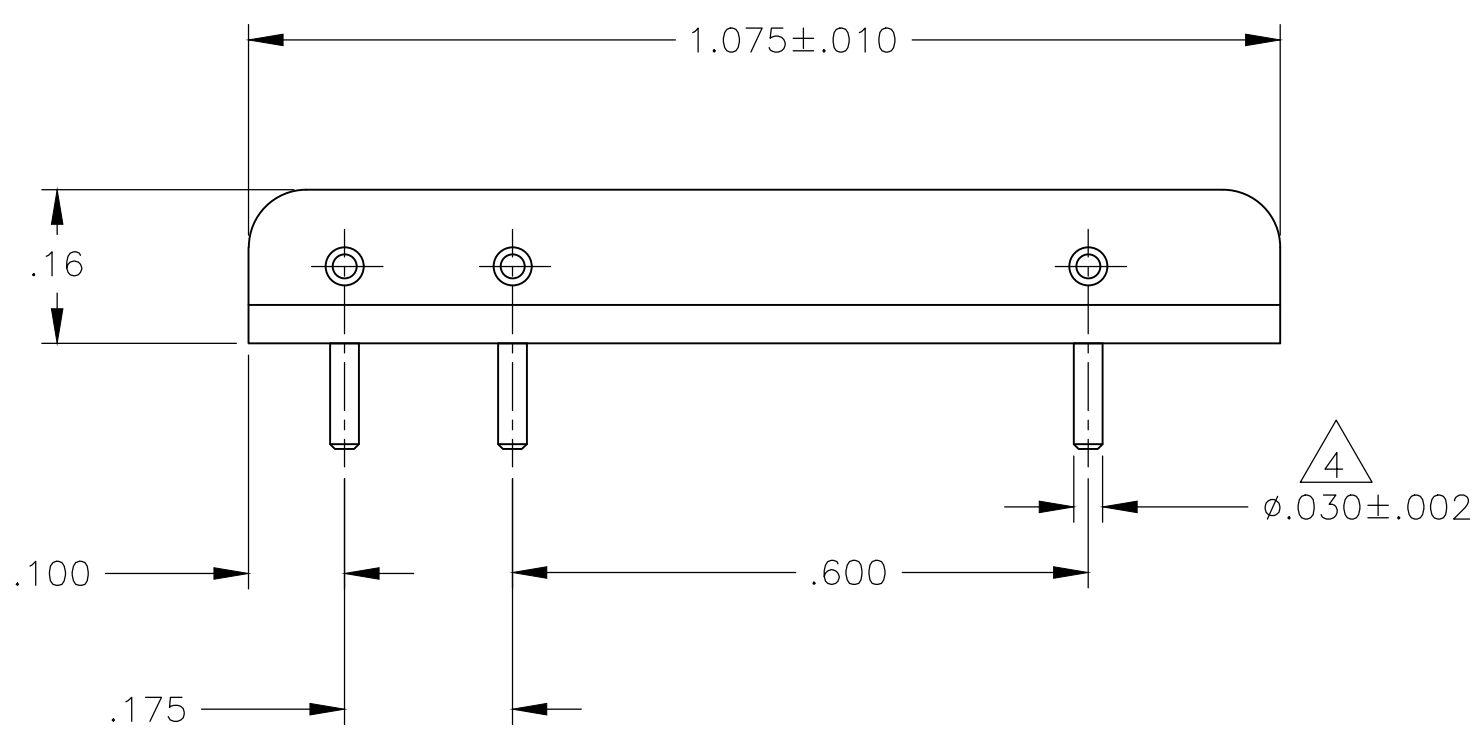
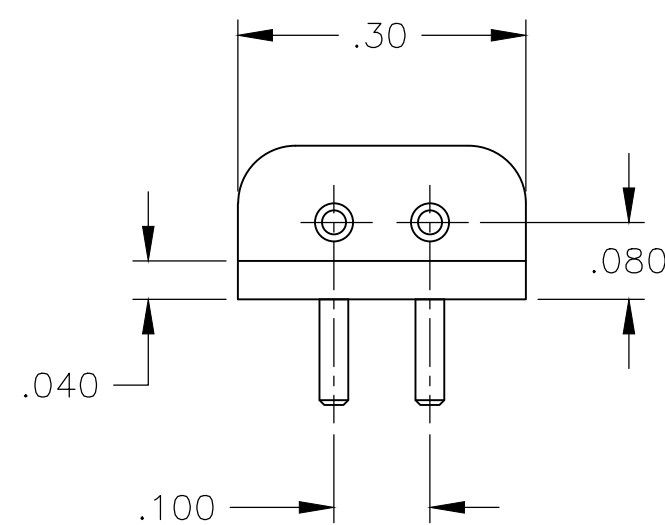


THIS DRAWING IS UNPUBLISHED. RELEASED FOR PUBLICATION  
 © COPYRIGHT - TE Connectivity Ltd. ALL RIGHTS RESERVED.

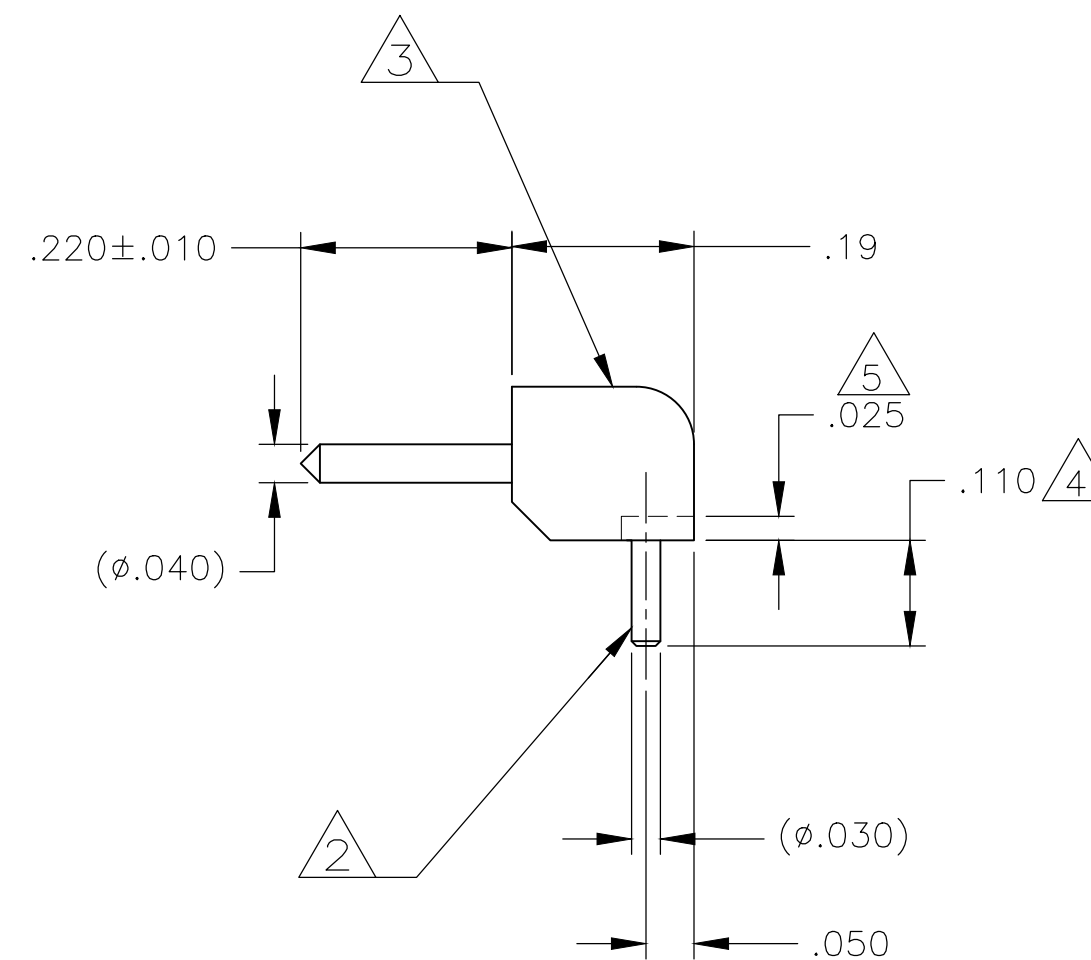
REVISIONS					
P	LTR	DESCRIPTION	DATE	DWN	APVD
F		REV PER ECO 19-006263	4-23-19	CT	PD



447463-1 AND -2  
AS SHOWN



447463-3 AND -4  
AS SHOWN



AS SHOWN FOR  
ALL PART NUMBERS

1 MATERIAL: INSULATOR - GLASS FILLED THERMOPLASTIC  
VO RATED PER MIL-M-24519; COLOR: BLACK  
MATERIAL: CONTACT - BRASS  
FINISH: GOLD PLATE .000050-.000070 THK PER ASTM B 488 (2011)  
OVER NICKEL UNDERPLATE .00075-.000150 THK PER SAE-AMS-QQ-N-290

- 2 THIS END SOLDER DIPPED IN ACCORDANCE WITH MII STD 202, METHOD 208.
- 3 CUST P/N LOCATED IN THIS APPROXIMATE AREA. FOR -1 ONLY
- 4 PIN LENGTH AND WIDTH DIMENSIONS ARE PRIOR TO SOLDER DIPPING.
- 5 FLUX CLEAN OUT ZONE.

POS.	CUSTOMER PART NO	MATERIAL	PART NO
2	---	1	447463-4
2	11750265	447463-4 2	447463-3
3	---	1	447463-2
3	11750893	447463-2 2	447463-1

THIS DRAWING IS A CONTROLLED DOCUMENT.		DWN 7-27-90 D.DUDUKOVICH	TE Connectivity Ltd.	
DIMENSIONS: INCHES		CHK 6-3-91 J.SCHOLZ		
TOLERANCES UNLESS OTHERWISE SPECIFIED:		APVD 6-3-91 J.SCHOLZ	NAME FUZE SYSTEM CONNECTOR HEADER, RIGHT ANGLE	
0 PLC ± -	1 PLC ± -	PRODUCT SPEC	SIZE	CAGE CODE
2 PLC ± .01	3 PLC ± .005	APPLICATION SPEC	A2	00779
4 PLC ± -	ANGLES ± -	FINISH	DRAWING NO	RESTRICTED TO
MATERIAL - 1	FINISH - 1	WEIGHT 0.000000	C=447463	-
CUSTOMER DRAWING			SCALE 5:1	SHEET 1 of 1
			REV F	