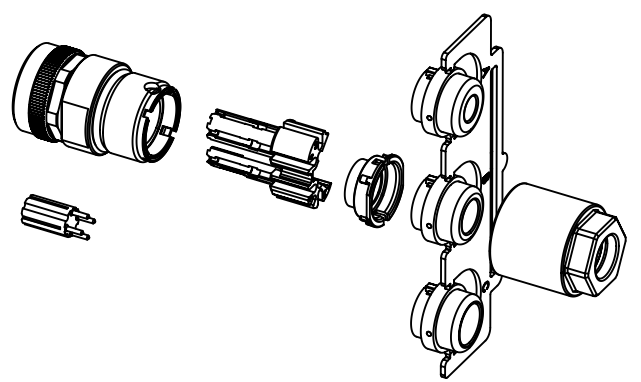


contact face acc. to IEC 61076-2-101

order contacts separately

4,5-8,8mm	AWG 24-20	09 67 000 8476
	AWG 26-22	09 67 000 5476
	AWG 22-18	09 67 000 3476
cable Ø	wire gauge	part-no.

shielding resistance $\leq 1,5 \text{ Ohm}$
 material metal parts: stainless steel
 (EN 10088-3/ 1.4404/ X2CrNiMo17-12-2)



	All Dimensions in mm Original Size DIN A4	Scale 1:1	Free size tol.		Ref. Sub.
	All rights reserved Department EL PD	Created by DYCKC	Inspected by EISFELD	Standardisation HOFFMANN	Date 2020-01-30 State Final Release
HARTING Electronics GmbH D-32339 Espelkamp		Title HARTING M12-L female crimp B-coded 5-pole			Doc-Key / ECM-Nr. 100569737/UGD/005/G 500000157722
		Type TB	Number 21038412535		Rev. G Page 1/1