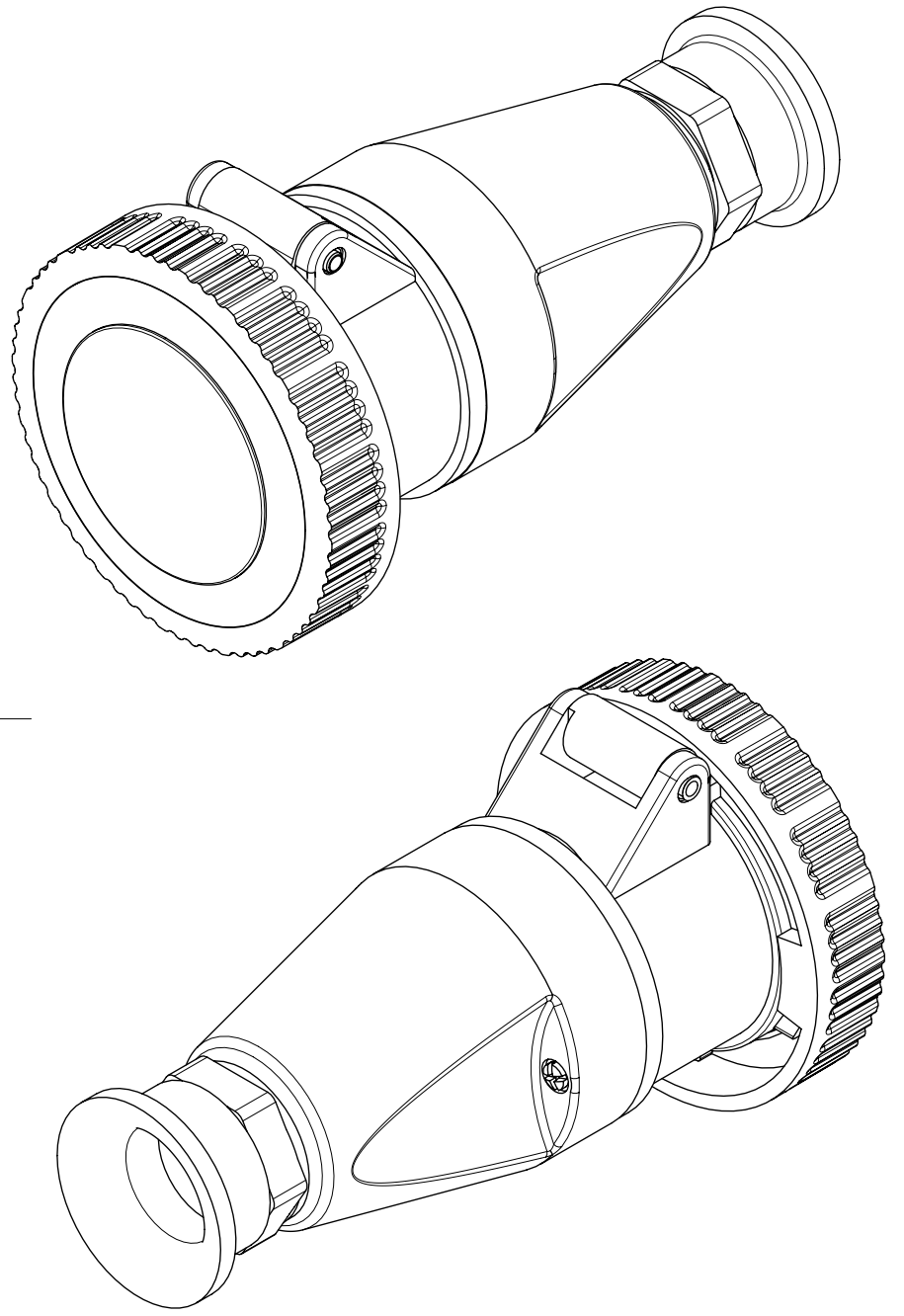
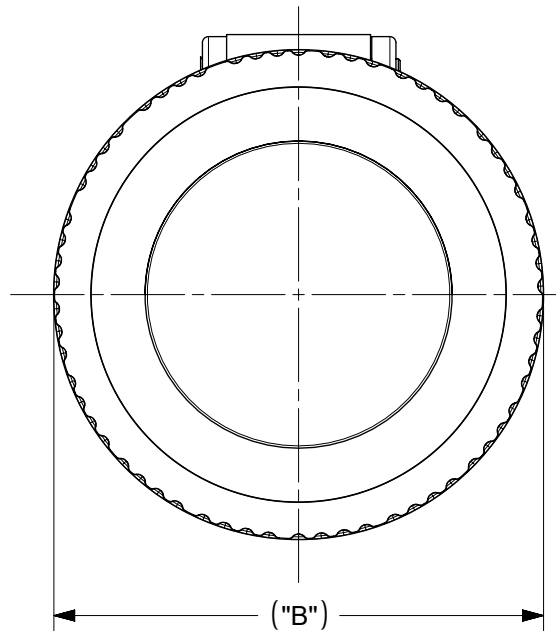
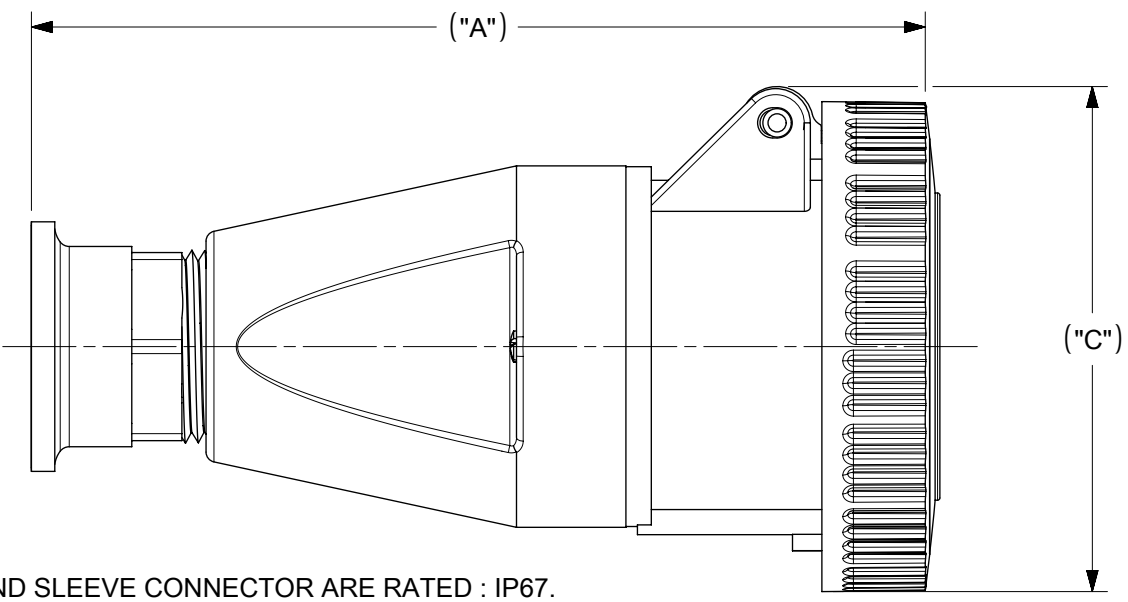


AMPS	TYPE	DIMENSIONS:			CORD GRIP RANGE:
		("A")	("B")	("C")	
20	3 WIRE	5.35 [136.0]	2.83 [72.0]	3.07 [78.0]	.275 [7.0] - .530 [13.5]
20	4 WIRE	5.63 [143.0]	3.19 [81.0]	3.35 [85.0]	.395 [10.0] - .825 [21.0]
30	4 WIRE	6.97 [177.0]	3.78 [96.0]	3.78 [96.0]	.650 [16.5] - 1.10 [28.0]
60	3,4 & 5 WIRE	10.0 [255.0]	4.33 [110.0]	4.61 [117.0]	.650 [16.5] - 1.50 [38.0]
100	3,4 & 5 WIRE	13.1 [332.0]	5.12 [130.0]	5.12 [130.0]	.950 [24.0] - 1.90 [48.0]



NOTES:

1. THE BELOW WATERTIGHT PIN AND SLEEVE CONNECTOR ARE RATED : IP67.

POLE/WIRE	AMPS	VOLTAGE	MATERIAL No.	ENGINEERING No.	COLOR
2-Pole/3-Wire	20	125	1301500037	320C4W	Yellow
		250	1301500040	320C6W	Blue
125/250		1301500118	420C12W	Orange	
3ø250		1301500129	420C9W	Blue	
3ø480		1301500128	420C7W	Red	
3ø600		1301500126	420C5W	Black	
3-Pole/4-Wire	30	3ø250	1301500160	430C9W	Blue
		3ø480	1301500158	430C7W	Red
		3ø600	1301500156	430C5W	Black
3-Pole/4-Wire	60	125/250	1301500186	460C12W	Orange
		3ø250	1301500192	460C9W	Blue
		3ø480	1301500190	460C7W	Red
3-Pole/4-Wire	100	3ø600	1301500188	460C5W	Black
		125/250	1301500105	4100C12W	Orange
		3ø250	1301500108	4100C9W	Blue
		3ø480	1301500107	4100C7W	Red
		3ø600	1301500106	4100C5W	Black

FUNCTIONAL SYMBOLS	THIS DRAWING CONTAINS INFORMATION THAT IS PROPRIETARY TO MOLEX ELECTRONIC TECHNOLOGIES, LLC AND SHOULD NOT BE USED WITHOUT WRITTEN PERMISSION		CURRENT REV DESC: NEW SALES DRAWING CREATED	
	DIMENSION UNITS	SCALE		
$\nabla = 0$	INCH/MM	NTS		
$\nabla = 0$	GENERAL TOLERANCES (UNLESS SPECIFIED)			
$\nabla = 0$		MM	INCH	
DIVISIONAL SYMBOLS	4 PLACES	±	±	
	3 PLACES	±	±	
	2 PLACES	±	±	
	1 PLACE	±	±	
	0 PLACES	±	±	
	ANGULAR TOL	±	°	
DRAFT WHERE APPLICABLE MUST REMAIN WITHIN DIMENSIONS		THIRD ANGLE PROJECTION	DRAWING	SERIES
			B-SIZE	130150
DOCUMENT NUMBER	DOC TYPE	DOC PART	REVISION	
1301500158	PSD	000	A	
MATERIAL NUMBER	CUSTOMER	SHEET NUMBER		
SEE TABLE	GENERAL MARKET	1 OF 1		