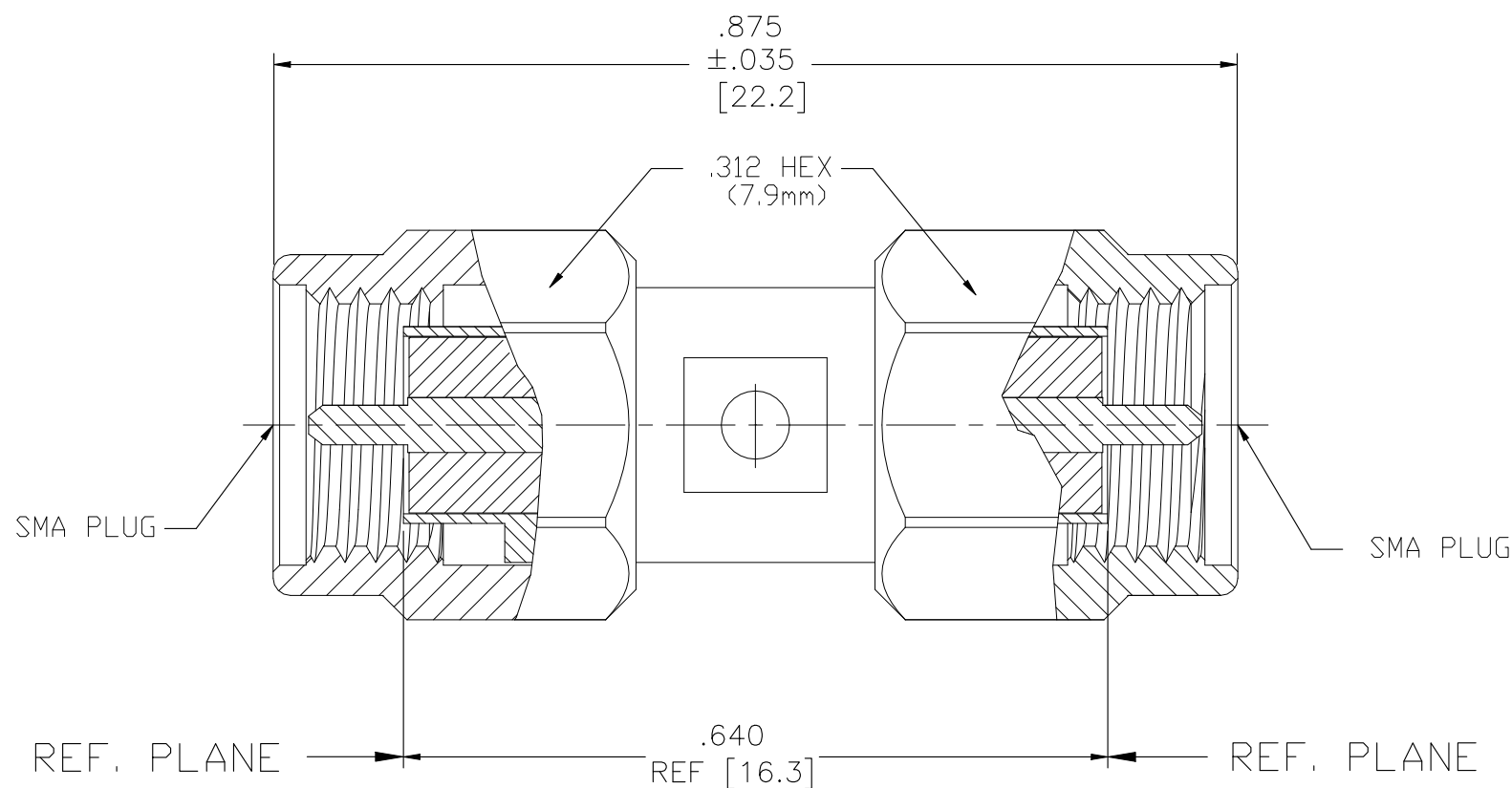


REVISIONS

P	LTR	DESCRIPTION	DATE	DWN	APVD
	B1	REVISED PER ECR-21-103794	03JUN2021	RS	WK



ELECTRICAL	MECHANICAL	ENVIRONMENTAL
Nominal Impedance (Ω hms) <u>50</u>	Interface Dimensions MIL-STD-348 FIG 310.1	TEMPERATURE RATING -65°C TO 105°C
Frequency Range (GHz) <u>DC to 18.0</u>	Recommended Mating	Vibration - MIL-STD-202, Method 204, Condition D
Volt Rating (VRMS MAX) <u>335</u>	Torque <u>7.0 to 10.0 In/Lbs</u>	Shock - MIL-STD-202, Method 213, Condition I
VSWR <u>$1.05 + 0.06f(\text{GHz})$ MAX</u>	Connector Engagement	Thermal shock MIL-STD-202, Method 107 Test Condition B
Insertion Loss (dB MAX) <u>$.06 \sqrt{f(\text{GHz})}$</u>	Center Contact Captivation	EXCEPT HIGH TEMP 115°C
RF Leakage <u>$-[60-f(\text{GHz})]$</u>	Axial <u>6.0 Lbs MIN</u>	Moisture Resistance - MIL-STD-202, Method 106, except Step 7b
Corona, 70,000 Ft (VRMS MIN) <u>250</u>	Radial <u>4.0 In/oz MIN</u>	Corrosion - MIL-STD-202, Method 101, Condition B, 5% salt spray
Dielectric Withstanding Voltage (VRMS MIN) <u>1000</u>	Weight (Grams) <u>4.7</u>	
Contact Resistance (Milliohms MAX)		
Center Contact <u>4.0</u>		
Outer Contact <u>2.0</u>		
RF High Potential (VRMS MIN @ 5 MHz) <u>670</u>		
I.R.(Megohms) <u>5000</u>		

.XXX = in
XX.X = mm

THIS DRAWING IS A CONTROLLED DOCUMENT.

DIMENSIONS: INCHES	TOLERANCES UNLESS OTHERWISE SPECIFIED:
	0 PLC $\pm -$
	1 PLC $\pm -$
	2 PLC $\pm -$
	3 PLC $\pm .005$
	4 PLC $\pm -$
	ANGLES $\pm 1^{\circ}$
MATERIAL	FINISH
-	-

QUANTITY PER ASSY	PARTS LIST
2	SILICONE RUBBER GASKET 6
2	BeCu RETAINING RING 5
2	Au STAINLESS STEEL COUPLING NUT 4
1	Au STAINLESS STEEL HOUSING 3
1	PTFE INSULATION 2
1	Au BeCu CENTER CONTACT 1
-1	PLATING MATERIAL DESCRIPTION ITEM

STE TE Connectivity

SMA ADAPTER PLUG TO PLUG BULKHEAD ADAPTER

DWN BWC 6/9/67	APVD PRB 5/8/68	NAME	RESTRICTED TO
CHK PRB 5/8/68	APVD PRB 5/8/68	SIZE	RESTRICTED TO
PRODUCT SPEC	APPLICATION SPEC	CAGE CODE	RESTRICTED TO
WEIGHT -	SCALE 6:1	DRAWING NO	REV B1
CUSTOMER DRAWING	SHEET 1 OF 1	A300779	G-1053634