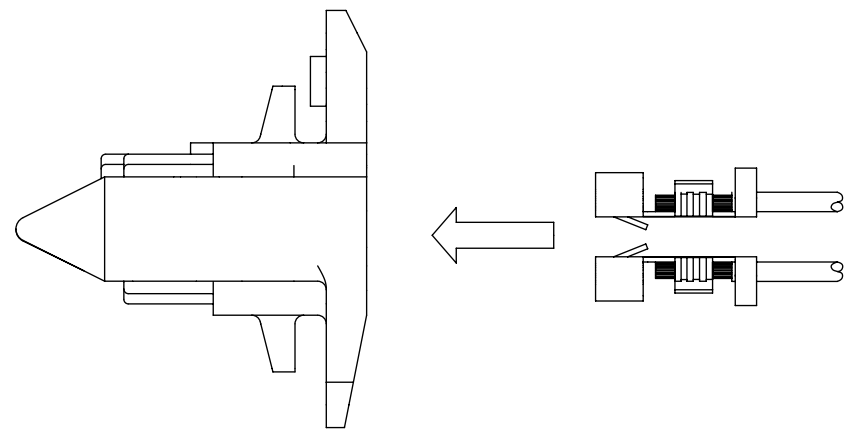
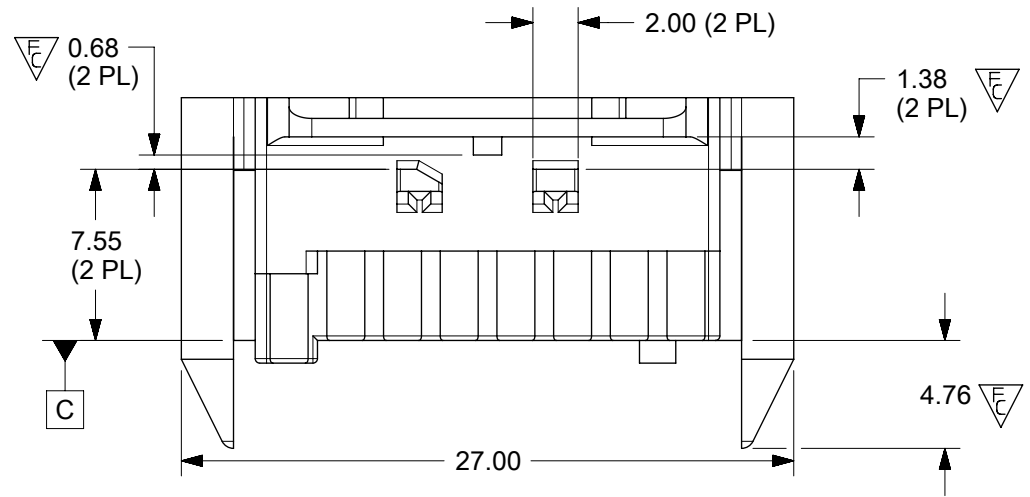
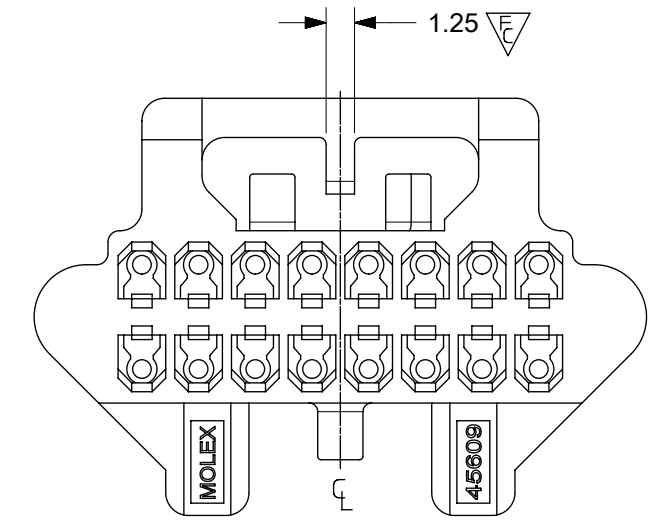
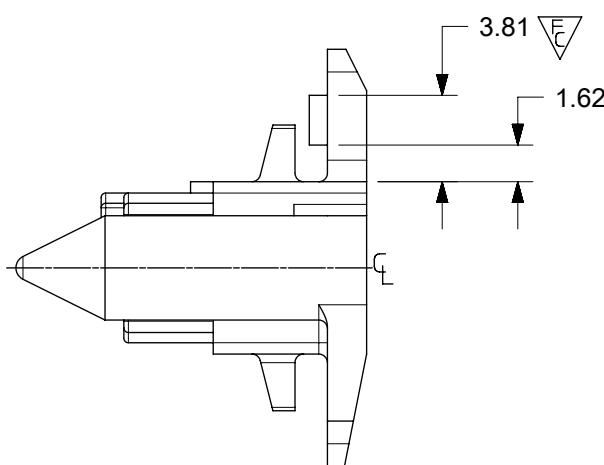
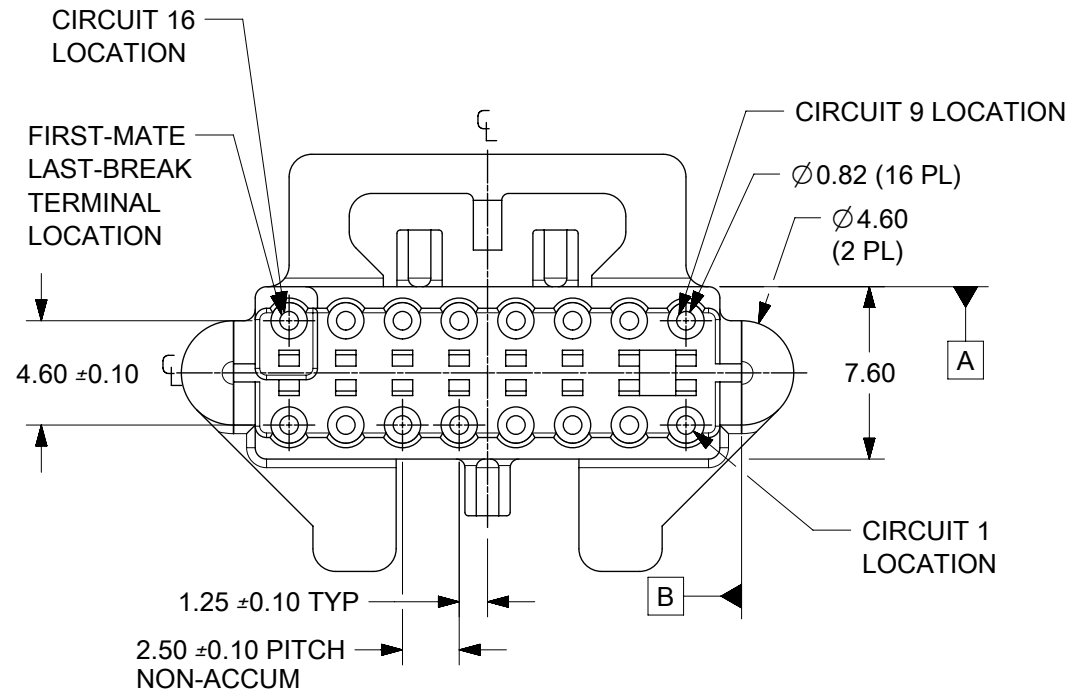


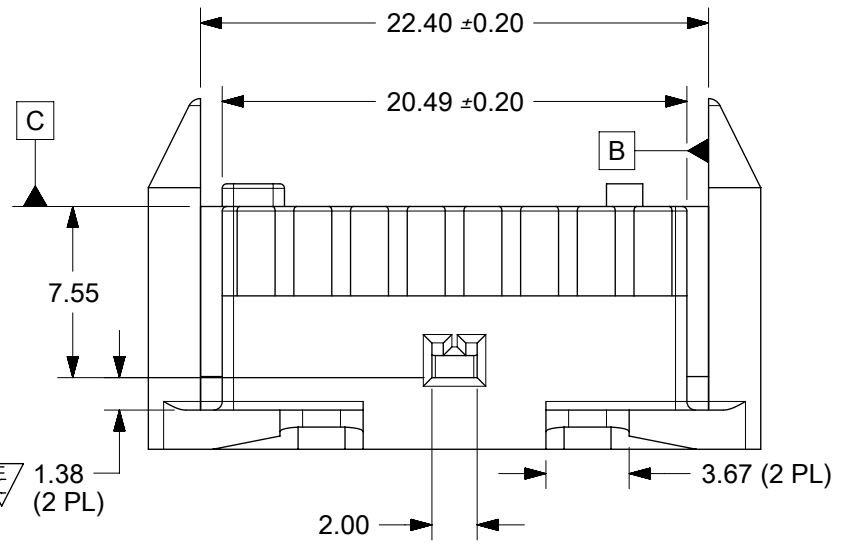
MOLEX P/N	MATERIAL	COLOR	MFLB CKTS
456090001	VALOX 357	BLACK	POSITION 16
456090002	VALOX 357	BLACK	POSITION 8 & 16



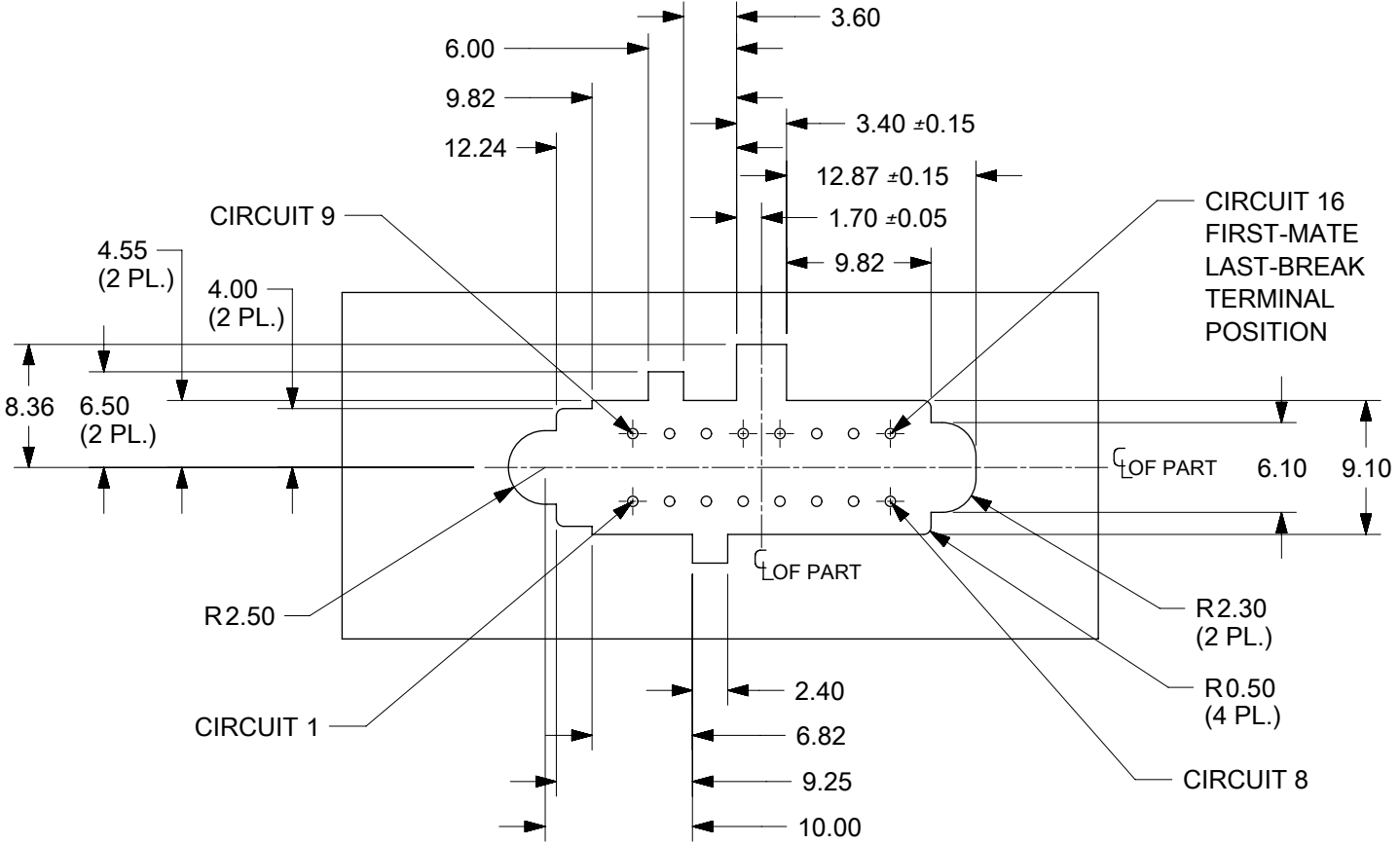
TERMINALS ARE TO BE ORIENTED AND LOADED IN TO THE HOUSING AS SHOWN ABOVE



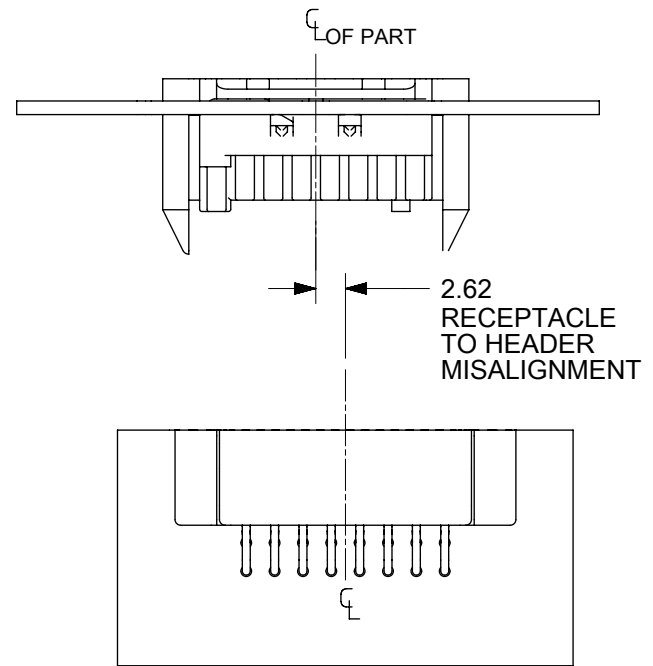
- NOTES:
1. MATERIAL: POLYESTER, UL94V-0, COLOR: BLACK.
  2. PRODUCT SPECIFICATION: TBD.
  3. USE FEMALE CRIMP TERMINAL, 08-70-1047 ONLY. (NOTE ORIENTATION OF TERMINALS)
  4. PART MATES WITH MOLEX HEADER ASSEMBLY SERIES 45608.
  5. PACKAGING: BULK.
  6. SEE PAGE 2 OF 2 FOR PANEL CUTOUT DIMENSIONS AND THE ALLOWED BOARD TO PANEL MISALIGNMENT.



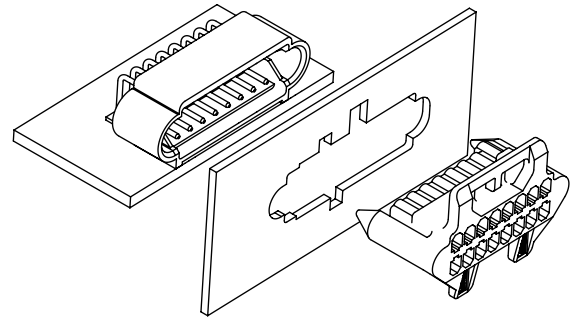
THIS DRAWING CONTAINS INFORMATION THAT IS PROPRIETARY TO MOLEX ELECTRONIC TECHNOLOGIES, LLC AND SHOULD NOT BE USED WITHOUT WRITTEN PERMISSION											
DIMENSION UNITS		SCALE		CURRENT REV DESC:						<b>molex</b>	
MM		3:1									
GENERAL TOLERANCES (UNLESS SPECIFIED)				EC NO: 625546		DRWN: RLALSANGI		2017/08/02		SPOX BMI RECEPTACLE HOUSING DUAL ROW PANEL MOUNT, 16 CKT	
4 PLACES ±		±		CHK'D: ISHWARG		2019/10/18					
3 PLACES ±		±		APPR: ISHWARG		2019/10/18		PRODUCT CUSTOMER DRAWING			
2 PLACES ±		0.25 ±		INITIAL REVISION:		DRWN: TGREGORI		2003/12/18		DOCUMENT NUMBER	
1 PLACE ±		0.3 ±		APPR: JCOMERCI		2009/07/24		SD-45609-001		DOC TYPE DOC PART REVISION	
0 PLACES ±		±		ANGULAR TOL ± 0.5°		DRAWING		SERIES		MATERIAL NUMBER CUSTOMER SHEET NUMBER	
DRAFT WHERE APPLICABLE MUST REMAIN WITHIN DIMENSIONS				THIRD ANGLE PROJECTION		B-SIZE		45609		SEE TABLE IBM 1 OF 3	



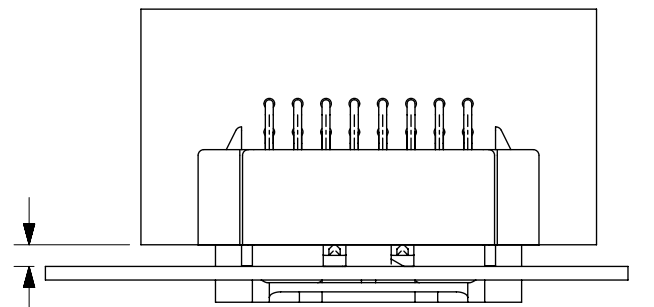
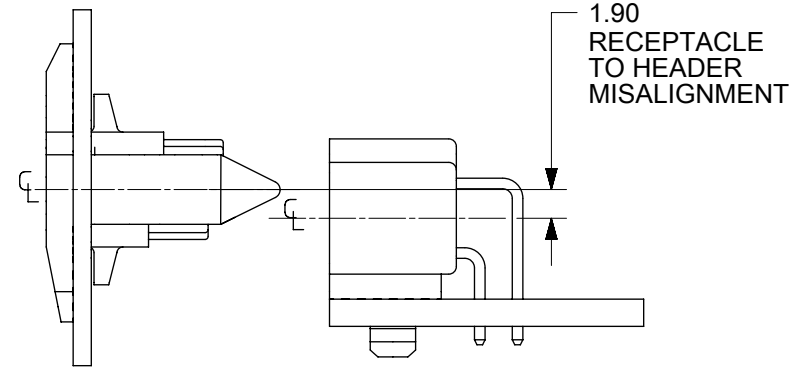
PANEL CUTOUT  
PANEL THICKNESS 1.20±0.12mm



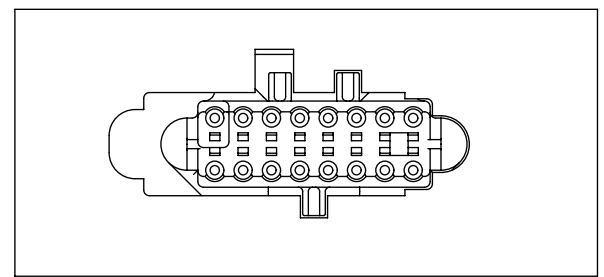
NORMAL PIN-WIPE  
MAX=3.43mm  
MIN= 2.07mm  
FIRST MAKE LAST BREAK-WIPE  
MAX=4.48mm  
MIN=3.02mm



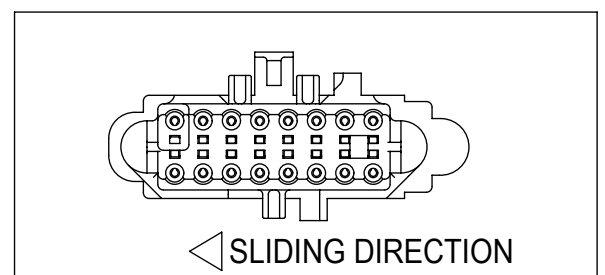
REAR-ENTRY PANEL MOUNT ISOMETRIC VIEW



PANEL TO PCB STACK HEIGHT



RECEPTACLE  
INSERT POSITION



RECEPTACLE SLIDES  
INTO MOUNTED POSITION

THIS DRAWING CONTAINS INFORMATION THAT IS PROPRIETARY TO MOLEX ELECTRONIC TECHNOLOGIES, LLC AND SHOULD NOT BE USED WITHOUT WRITTEN PERMISSION									
DIMENSION UNITS		SCALE		CURRENT REV DESC:					
MM		1.5:1		molex					
GENERAL TOLERANCES (UNLESS SPECIFIED)				SPOX BMI RECEPTACLE HOUSING DUAL ROW PANEL MOUNT, 16 CKT					
				PRODUCT CUSTOMER DRAWING					
4 PLACES ±				EC NO: 625546		DRWN: RLALSANGI 2017/08/02		DOCUMENT NUMBER	
3 PLACES ±				CHK'D: ISHWARG		APPR: ISHWARG 2019/10/18		SD-45609-001	
2 PLACES ± 0.25				INITIAL REVISION:		DRWN: TGREGORI 2003/12/18		DOC TYPE DOC PART REVISION	
1 PLACE ± 0.3				APPR: JCOMERCI		APPR: JCOMERCI 2009/07/24		PSD 001 B3	
0 PLACES ±				ANGULAR TOL ± 0.5°		MATERIAL NUMBER		CUSTOMER	
DRAFT WHERE APPLICABLE MUST REMAIN WITHIN DIMENSIONS				THIRD ANGLE PROJECTION		DRAWING		SHEET NUMBER	
				B-SIZE		45609		SEE TABLE IBM 2 OF 3	

10 9 8 7 6 5 4 3 2 1

F

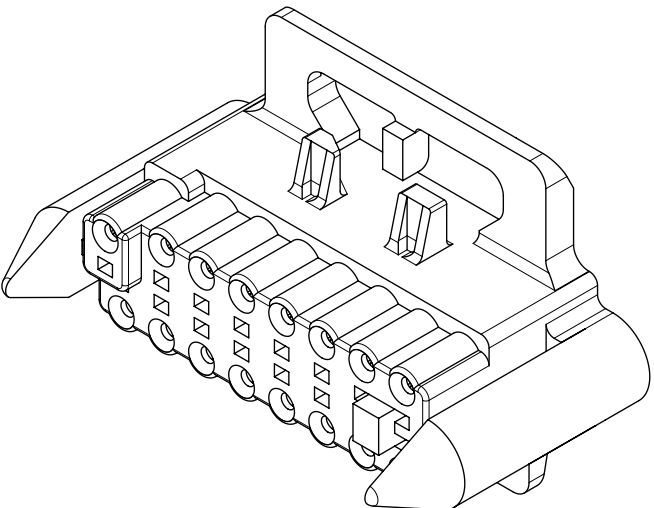
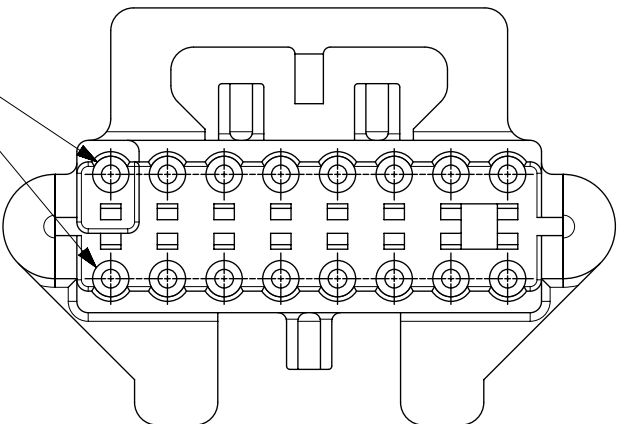
F

E

E

MOLEX P/N	MATERIAL	COLOR	MFLB CKTS
456090001	VALOX 357	BLACK	POSITION 16
456090002	VALOX 357	BLACK	POSITION 8 & 16

FIRST MAKE  
LAST BREAK  
CKTS 8 & 16



C

C

B

B

THIS DRAWING CONTAINS INFORMATION THAT IS PROPRIETARY TO MOLEX ELECTRONIC TECHNOLOGIES, LLC AND SHOULD NOT BE USED WITHOUT WRITTEN PERMISSION									
DIMENSION UNITS		SCALE		CURRENT REV DESC:				<b>molex</b>	
MM		3:1		EC NO: 625546					
GENERAL TOLERANCES (UNLESS SPECIFIED)				DRWN: RLALSANGI		2017/08/02		SPOX BMI RECEPTACLE HOUSING DUAL ROW PANEL MOUNT, 16 CKT	
		MM	INCH	CHK'D: ISHWARG		2019/10/18		PRODUCT CUSTOMER DRAWING	
4 PLACES		±	±	APPR: ISHWARG		2019/10/18		DOCUMENT NUMBER	
3 PLACES		±	±	INITIAL REVISION:		2003/12/18		SD-45609-001	
2 PLACES		± 0.25	±	DRWN: TGREGORI		2009/07/24		PSD 001 B3	
1 PLACE		± 0.3	±	APPR: JCOMERCI		2009/07/24		REVISION	
0 PLACES		±	±	MATERIAL NUMBER		CUSTOMER		SHEET NUMBER	
ANGULAR TOL		± 0.5°		THIRD ANGLE PROJECTION		DRAWING		SERIES	
DRAFT WHERE APPLICABLE MUST REMAIN WITHIN DIMENSIONS						B-SIZE		45609	
SEE TABLE		IBM		3 OF 3					

DOCUMENT STATUS	P1	RELEASE DATE	2019/10/18	08:25:52
-----------------	----	--------------	------------	----------

A

A

10 9 8 7 6 5 4 3 2 1

FORMAT: Eng-to-gd-prod-8  
REVISION: 0  
DATE: 2018/01/18