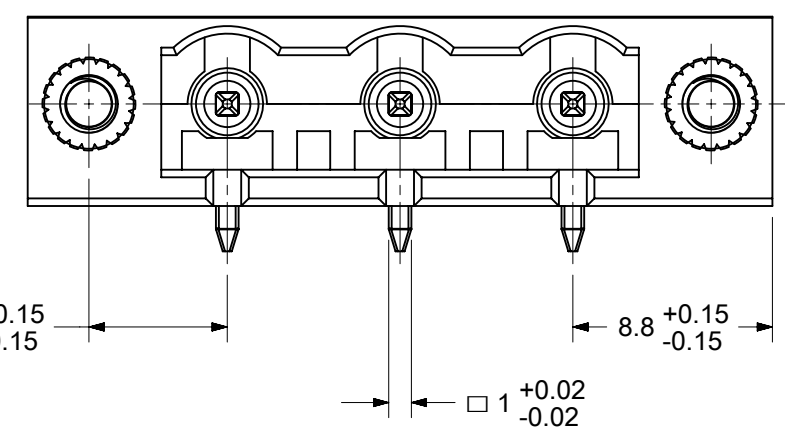
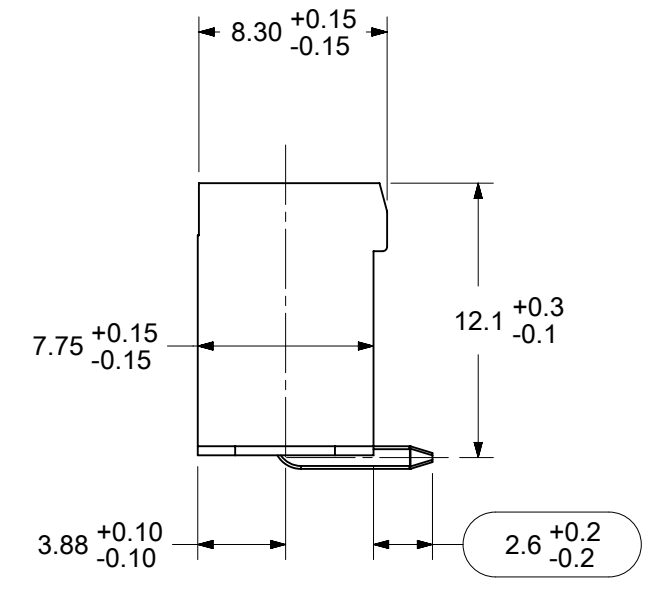
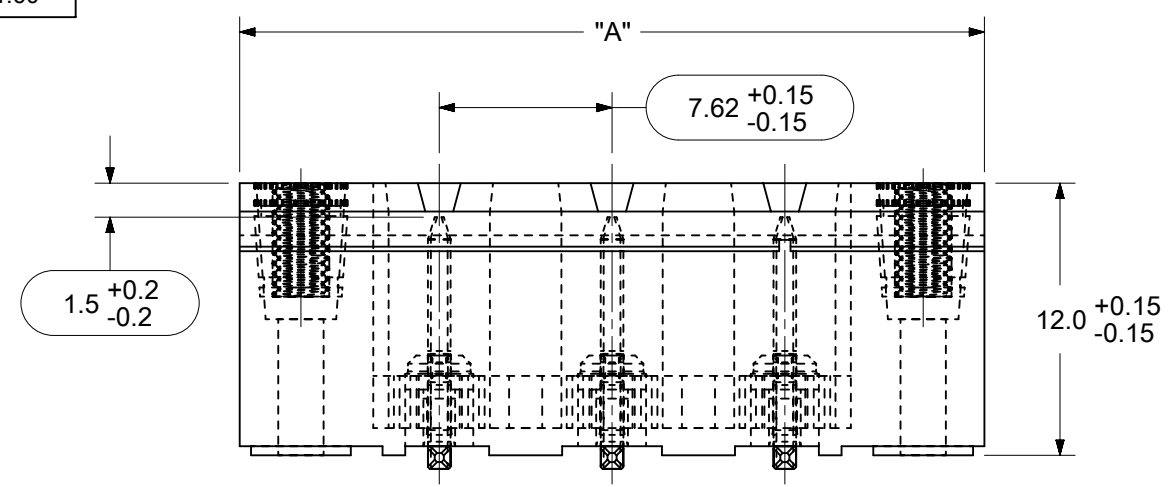
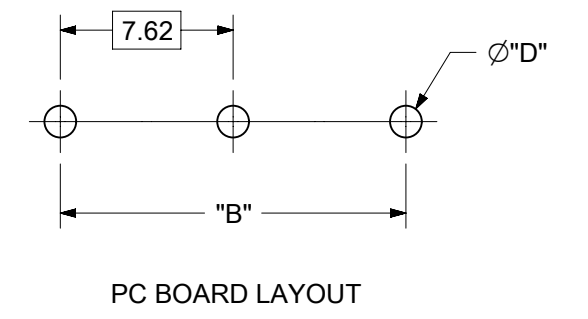
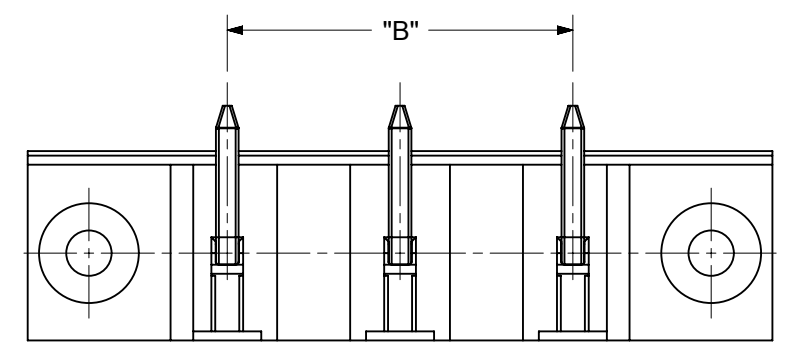


NO. OF CIRCUITS	PART NO.	ENGINEERING NO.	COLOR	DIM. "A"	TOLERANCE	DIM. "B"	TOLERANCE	DIM. "D"
2	397255002	MX-CIM025V7	GREEN	25.22	±0.20	7.62	±0.15	1.40
3	397255003	MX-CIM035V7	GREEN	32.84		15.24		
4	397255004	MX-CIM045V7	GREEN	40.46		22.86		
5	397255005	MX-CIM055V7	GREEN	48.08	±0.25	30.48	±0.20	1.50
6	397255006	MX-CIM065V7	GREEN	55.70		38.10		
7	397255007	MX-CIM075V7	GREEN	63.32		45.72		
8	397255008	MX-CIM085V7	GREEN	70.94	±0.40	53.34	±0.25	1.60
9	397255009	MX-CIM095V7	GREEN	78.56		60.96		
10	397255010	MX-CIM105V7	GREEN	86.18		68.58		
11	397255011	MX-CIM115V7	GREEN	93.80	±0.40	76.20	±0.25	1.50
12	397255012	MX-CIM125V7	GREEN	101.42		83.82		



MATERIALS	
1. HOUSING	PA66 UL94 V-0
2. TERMINAL PIN	TIN PLATED COPPER ALLOY

ELECTRICAL AND THERMAL RATINGS	
MAXIMUM VOLTAGE	300V (PER UL GROUP B & C)
MAXIMUM CURRENT	15A (PER UL GROUP B & C)
INSULATION RESISTANCE	>10 ⁹ Ω (500V DC)
CONTACT RESISTANCE	<15mΩ
OPERATING TEMPERATURE	-40°C TO +110°C

FUNCTIONAL SYMBOLS		THIS DRAWING CONTAINS INFORMATION THAT IS PROPRIETARY TO MOLEX ELECTRONIC TECHNOLOGIES, LLC AND SHOULD NOT BE USED WITHOUT WRITTEN PERMISSION		CURRENT REV DESC: INITIAL RELEASE	
▽/A = 0	mm	SCALE	3:1	molex SINGLE ROW HEADER, HORIZ. 7.62MM PITCH, REV. POLARIZATION, MATING ENDS	
▽/E = 0	GENERAL TOLERANCES (UNLESS SPECIFIED)				
▽/F = 0	ANGULAR TOL ± ---				
DIVISIONAL SYMBOLS		4 PLACES	± ---	EC NO: 660455	
		3 PLACES	± ---	DRWN: ABENJAMINLW 2021/01/27	
		2 PLACES	± SEE CHART	CHK'D: DACHAMMER 2021/04/08	
		1 PLACE	± SEE CHART	APPR: JFMURPHY 2021/04/12	
		0 PLACES	± ---	INITIAL REVISION:	
		DRAFT WHERE APPLICABLE MUST REMAIN WITHIN DIMENSIONS		DRWN: ABENJAMINLW 2021/01/27	
		THIRD ANGLE PROJECTION		APPR: JFMURPHY 2021/04/12	
		DRAWING		SERIES	
		B-SIZE		39725	
		MATERIAL NUMBER		CUSTOMER	
		SEE CHART		GENERAL MARKET	
		DOCUMENT NUMBER		SHEET NUMBER	
		397255002		1 OF 1	