



8/25/2014

Soberton Inc. has changed certain product specifications pertaining to part no. PT-1704. These changes pertain to the wire length only; all dimensions and operational functions remain unchanged. The new specifications are highlighted below.

Type	Specification	
	Old	New
Wire Length	100mm	85-mm

Please see the new data sheet for full product specifications.

SPECIFICATION FOR APPROVAL

Customer :

Description : Piezoelectric Ceramic Buzzer

SOBERTON PART NO. PT-1704

Date : 2014-01-06

Customer Model No. :

Date of Approval	
Authorization Signature	

Soberton Inc.

211 N. First Street Minneapolis, MN. 55401

Tel : 612-849-6205 Fax : 952-933-3120

[Http://www.soberton.com](http://www.soberton.com) E-mail : info@soberton.com

Approved	Checked	Design
Jasmine 201407/03	Frank 201407/03	Jim 201407/03

MODEL NUMBER	CUSTOMER NUMBER	PRODUCT TYPE	REVERSION	DATE	PAGE
PT-1704		Buzzer	A	2014-07-03	2/4

1. Technical Parameter

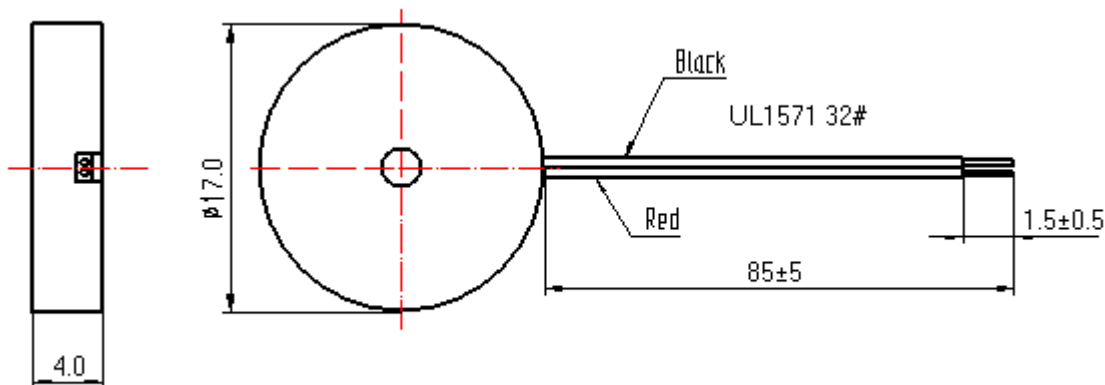
Measuring condition

Part shall be measured under a condition (Temperature: 5~35°C, Humidity: 45%~85%R.H., Atmospheric pressure: 860 ~1060hPa) unless the standard condition (Temperature: 25±3°C, Humidity: 60±10%R.H. Atmospheric pressure: 860 ~1060hPa) is regulated to measure.

1	Resonant Frequency	4000±500Hz
2	Operating Voltage	1~20 Vp-p
3	Rated Current	Max.3mA , At 4KHz 50% duty Square Wave 3Vp-p
4	Sound Output at 10cm	Min. 75dB, At 4KHz 50% duty Square Wave 3Vp-p
5	Capacitance	15000±30% pF At 120Hz
6	Operating Temperature	-20°C~+70°C
7	Store Temperature	-30°C~+80°C
8	Net Weight	Approx 1g
9	RoHS	Yes

2. Dimensions

Unit: mm

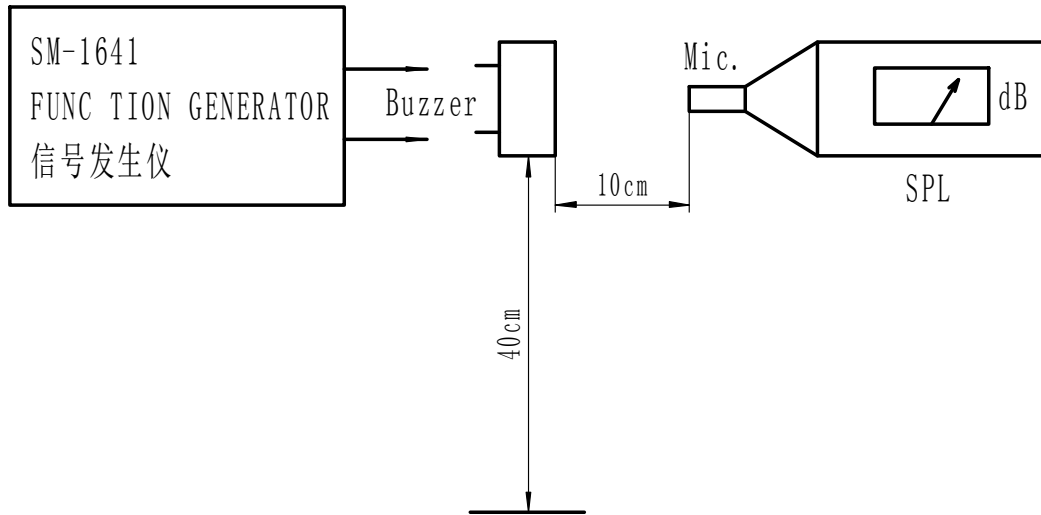


*Unit: mm; Tolerance: ± 0.5 mm Except Specified

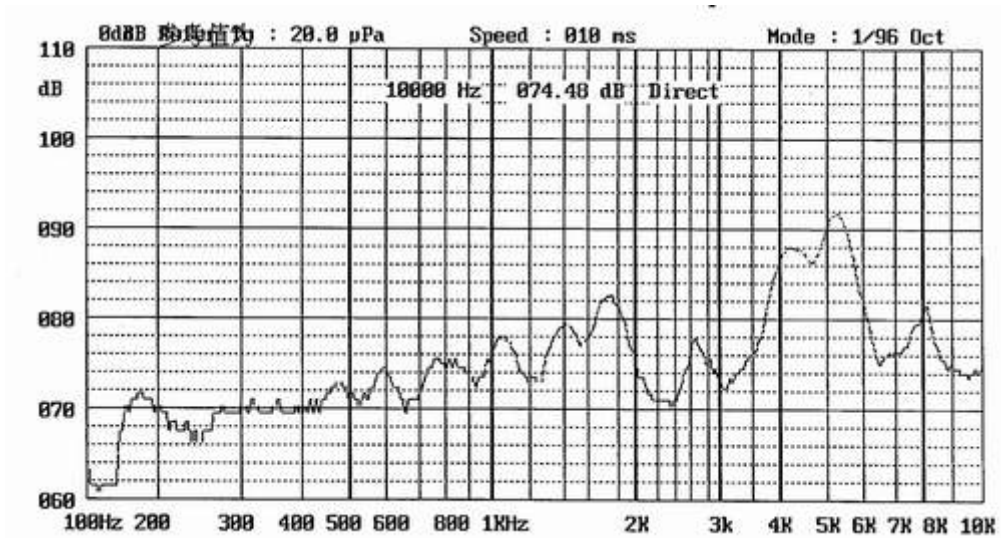
MODEL NUMBER	CUSTOMER NUMBER	PRODUCT TYPE	REVERSION	DATE	PAGE
PT-1704		Buzzer	A	2014-07-03	3/4

3. Electrical And Acoustical Measuring Condition

Recommended Setting



4. Frequency Response



5Vp-p 50% duty Square wave, 10cm

MODEL NUMBER	CUSTOMER NUMBER	PRODUCT TYPE	REVERSION	DATE	PAGE
PT-1704		Buzzer	A	2014-07-03	4/4

5. Reliability Test

After any following tests the part shall meet specifications without any degradation in appearance and performance except SPL. SPL shall not deviate more than -5 dB from the initial value

5.1 Ordinary Temperature Life Test

The part shall be subjected to 96 hours at $25 \pm 10^{\circ}\text{C}$. Input rated voltage Resonant frequency, 1/2 duty Square wave.

5.2 High Temperature Test

The part shall be capable of with standing a storage temperature of $+70^{\circ}\text{C}$ for 96 hours.

5.3 Low Temperature Test

The part shall be capable of with standing a storage temperature of -30°C for 96 hours.

5.4 Humidity Test

Temperature: $+40^{\circ}\text{C} \pm 3^{\circ}\text{C}$ Relative Humidity: 90%~95% Duration: 48 hours and expose to room temperature for 6 hours

5.5 Temperature Shock Test

Temperature: 60°C /1hour → 25°C /3hours → -20°C /1hour → 25°C /3hours (1cycle)
Total cycle: 10 cycles

5.6 Drop Test

Standard Packaging From 1.2m (Drop on hard wood or board of 5cm thick, three sides, six plain.)

5.7 Vibration Test

Vibration: 1000cycles /min. Amplitude: 1.5mm, Duration: 1 hour in each 3 axes

Note:
As this product is not protected from foreign material entering, please make sure that any foreign materials (e.g. magnetic powder, washing solvent, flux, corrosive gas) do not enter this product in your production processes. The functional degradation (e.g. SPL down) may occur if foreign material enter it.